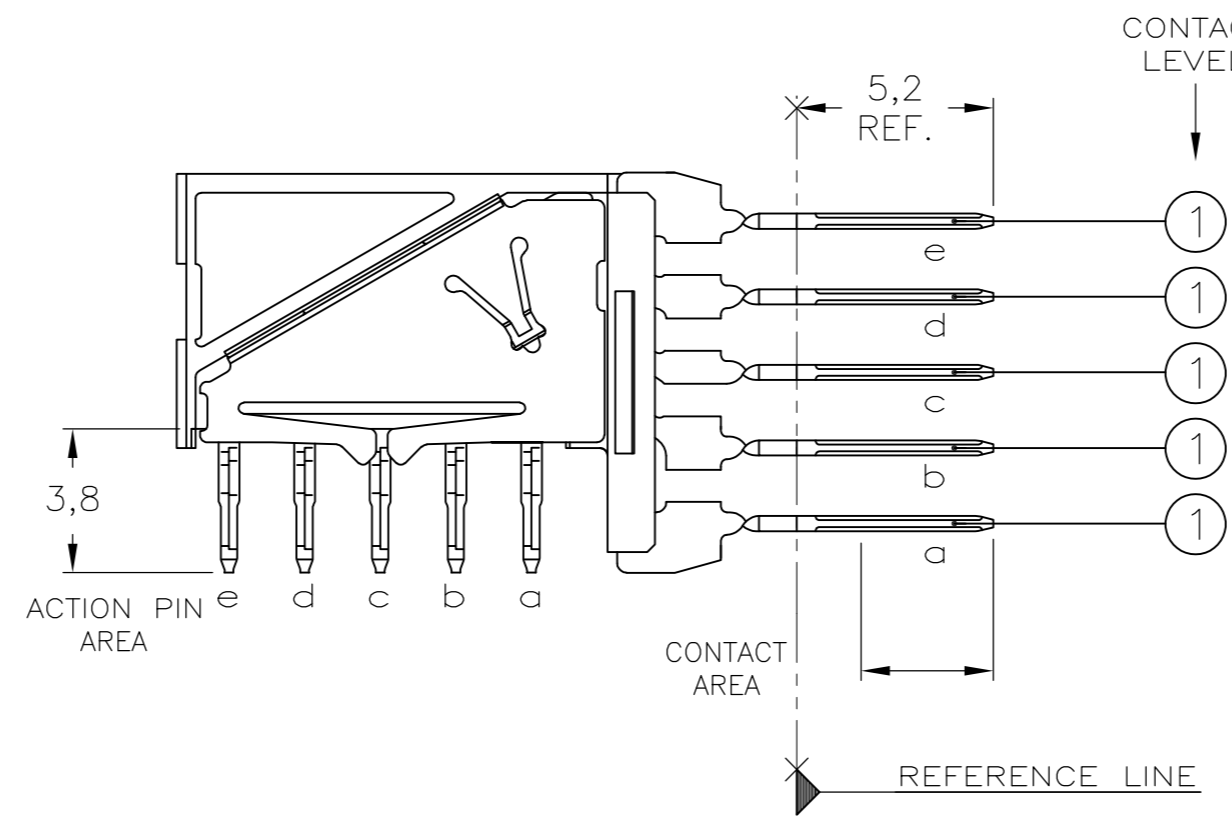
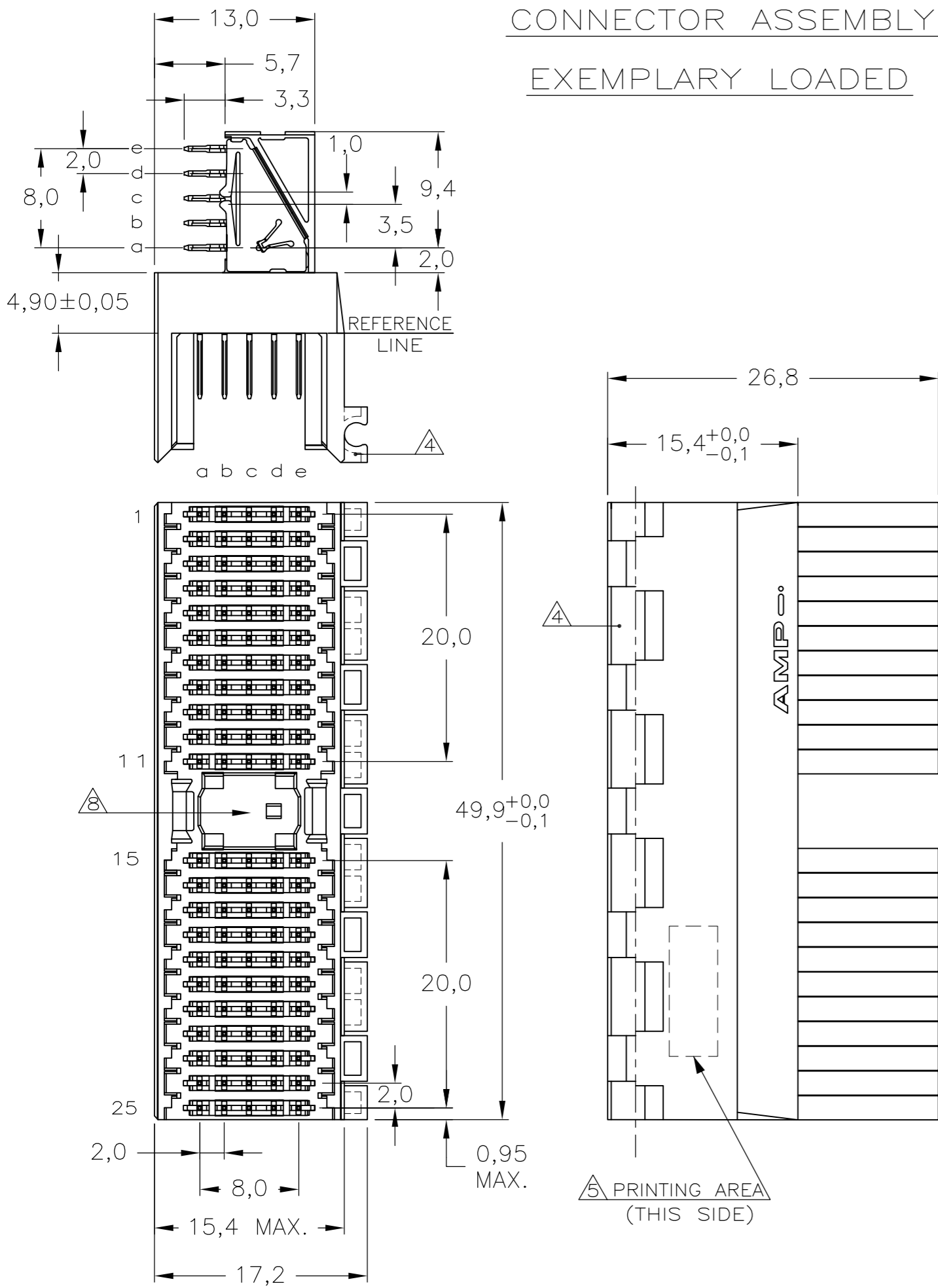


THIS DRAWING IS UNPUBLISHED. RELEASED FOR PUBLICATION
 © COPYRIGHT BY TYCO ELECTRONICS CORPORATION. ALL RIGHTS RESERVED.

CONTACT DIMENSIONS

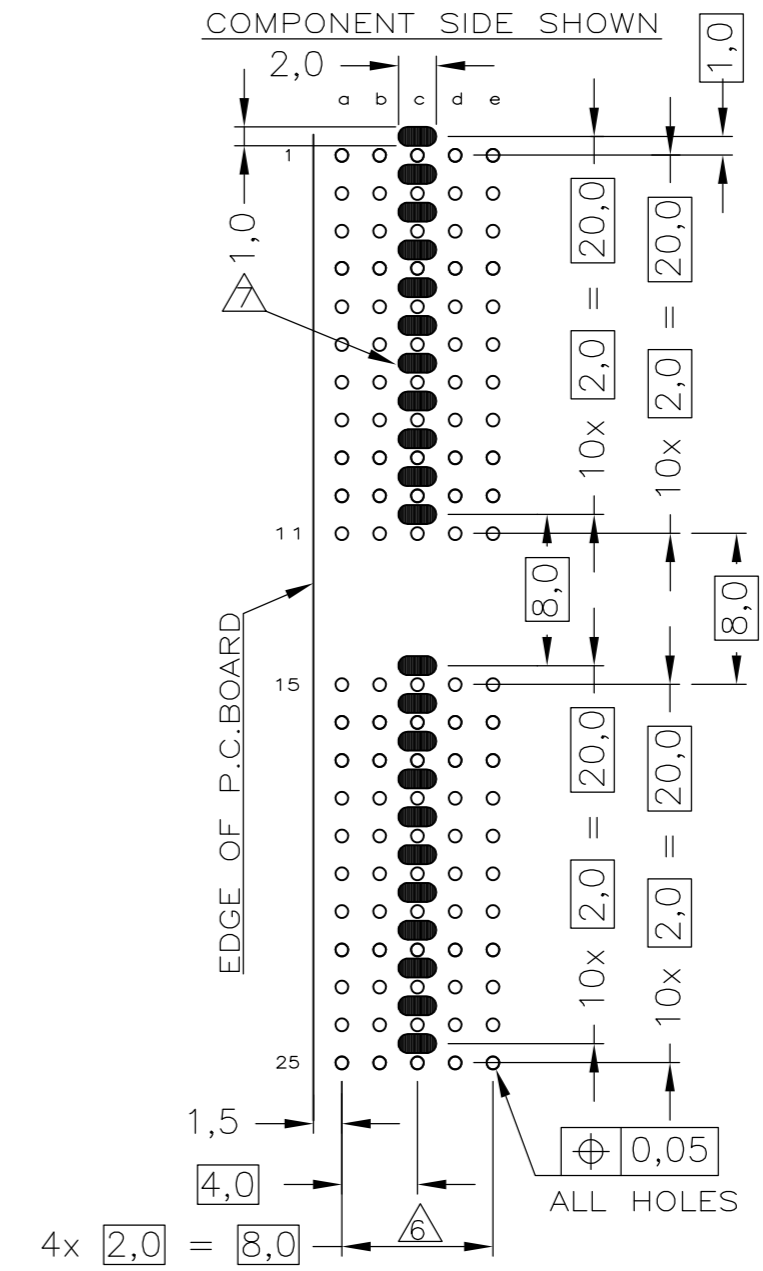


CONNECTOR ASSEMBLY EXEMPLARY LOADED

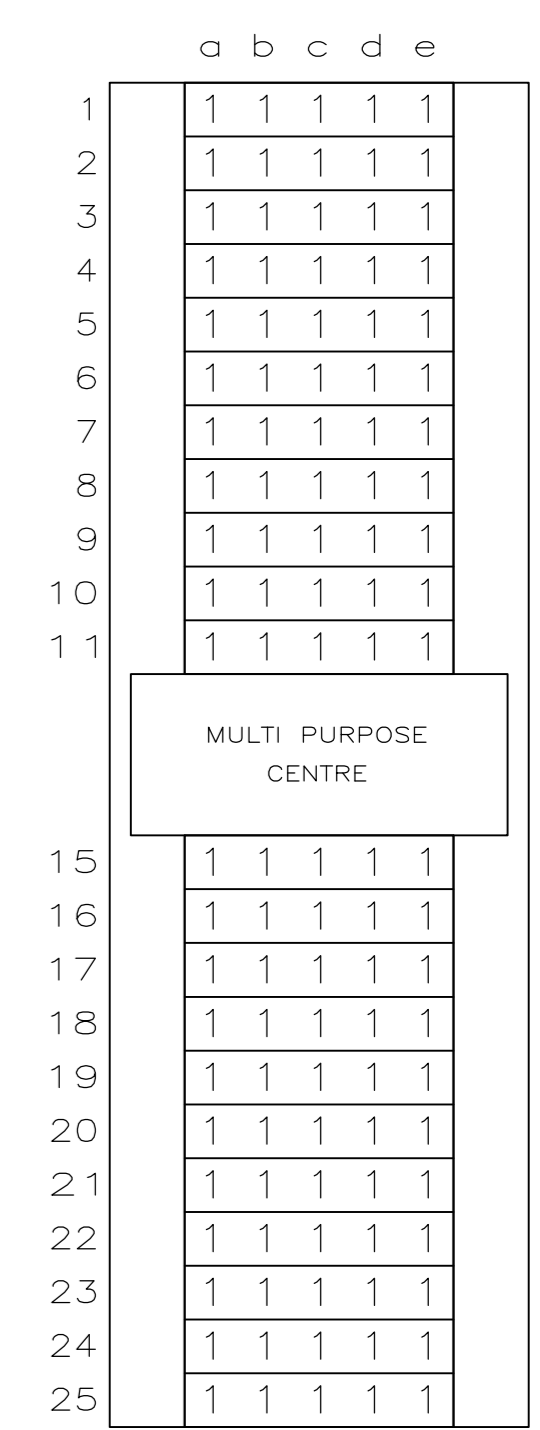


LOC	DIST	REVISIONS			
P	LTR	DESCRIPTION	DATE	DWN	APVD
C		ECR-06-026577	14-11-06	BSV	BM
C1		REVISED PER ECO-09-024717	04NOV09	KK	AEG
D		ECR-10-018652	10SEP10	JS	MQW

RECOMMENDED PCB-HOLE LAY-OUT



CONTACT LAYOUT



P.C.B. HOLE DIM. ACTION PIN
 FOR DETAILS SEE
 APPLICATION SPECIFICATION

- NOTES:
- 1 MATERIAL HOUSING : GREY GLASSFILLED POLYESTER UL-RATING V0
 - CONTACT : PHOSPHORBRONZE
 - REDUCED CROSS-TALK SHIELD: PHOSPHORBRONZE
 - 2 GENERAL CONTACT PALTING SPECIFICATION: UNDERPLATING (ENTIRE CONTACT): 1,27µm NICKEL MIN. AND ACTION PIN: 0,5µm TIN MIN. FOR PLATING OF MATING SURFACES SEE APPLICABLE SPECIFICATION REFERENCE FOR EACH DASH NUMBER. REDUCED CROSS-TALK SHIELD PLATING: GOLD FLASH OVER 1,27µm NICKEL MIN.
 - 3 CONFORMS TO ALL TESTING ACCORDING IEC 61076-4-101 PERFORMANCE LEVEL 2.
 - 4 CONNECTOR ASSEMBLY WITH LATCH HINGE FOR CABLE CONNECTOR.
 - 5 CONNECTOR PRINTED WITH PARTNUMBER AND DATECODE
 - 6 PLATED-THROUGH HOLES AT 2x2mm SQUARE GRID.
 - 7 PLATED SPOT ONLY ON COMPONENT SIDE, FORMING ONE CONTACT WITH PLATED THROUGH HOLES OF ROW C
 - 8 AREA FOR KEYING PART (BASIC PART NUMBER 100525).
 - 9 OBSOLETE PARTS: OBSOLETE CIS STREAMLINING PER D.RENAUD/D.SINISI

9 OBSOLETE	2/3	1-5352271-1 4
	2/3	5352271-1
CONTACT FINISH		PART NUMBER

THIS DRAWING IS A CONTROLLED DOCUMENT.		DWN K.N.KIRAN 23AUG2004	Tyco Electronics Corporation s-HertogenBosch, Netherlands,	
DIMENSIONS: mm	TOLERANCES UNLESS OTHERWISE SPECIFIED: ±0.2	CHK B.MOOIJ 22DEC2004	NAME Z-PACK 2mm HM TYPE A 110 POS. RIGHT ANGLE MALE CONNECTOR WITH REDUCED CROSS-TALK SHIELDS	
		APVD B.MOOIJ 22DEC2004	SIZE A2	CAGE CODE 00779
		PRODUCT SPEC 108-19082	DRAWING NO C=5352271	RESTRICTED TO -
MATERIAL -	FINISH -	APPLICATION SPEC 114-19029	SCALE 5:1	SHEET 1 of 1
CUSTOMER DRAWING			REV D	