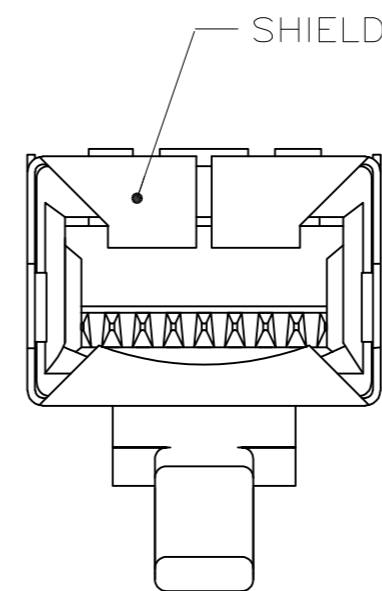
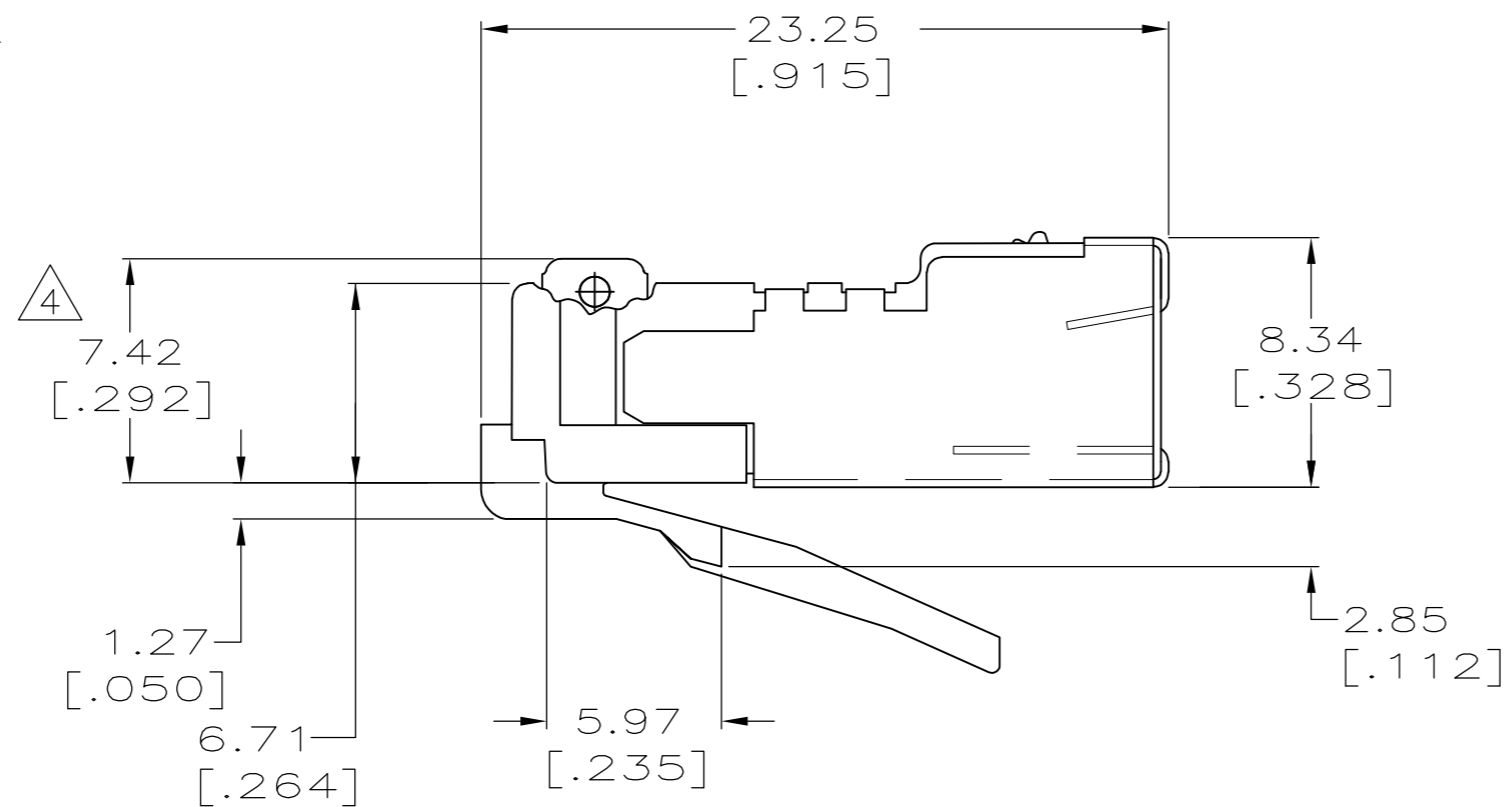
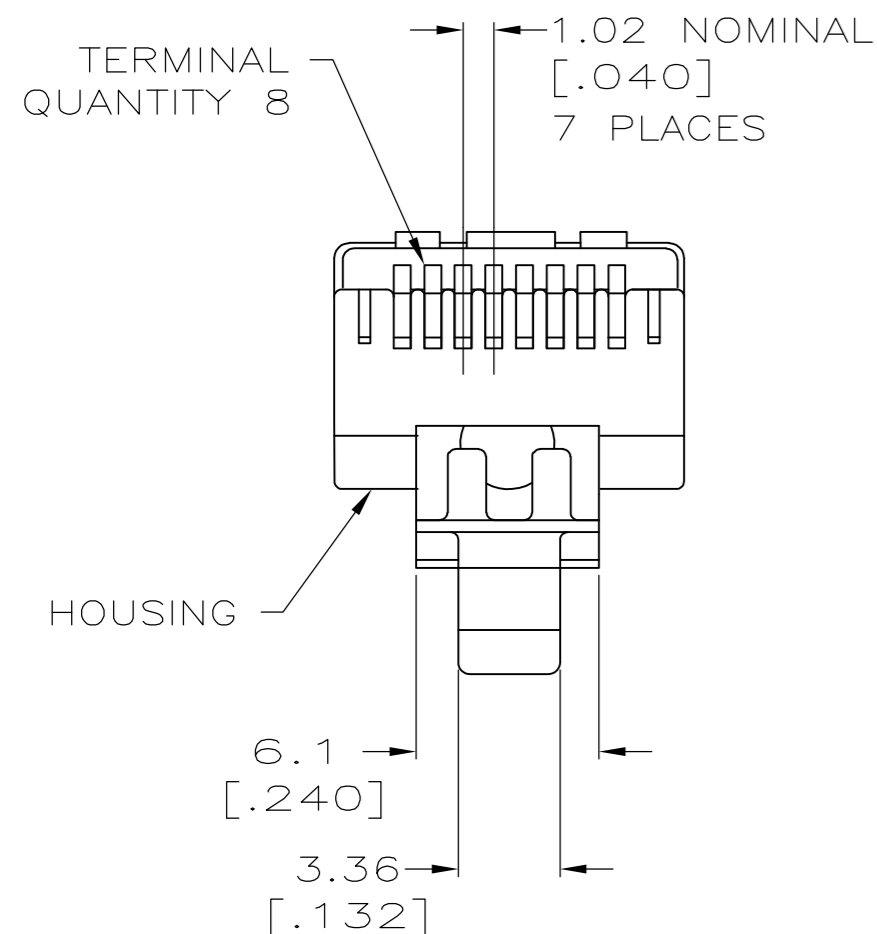
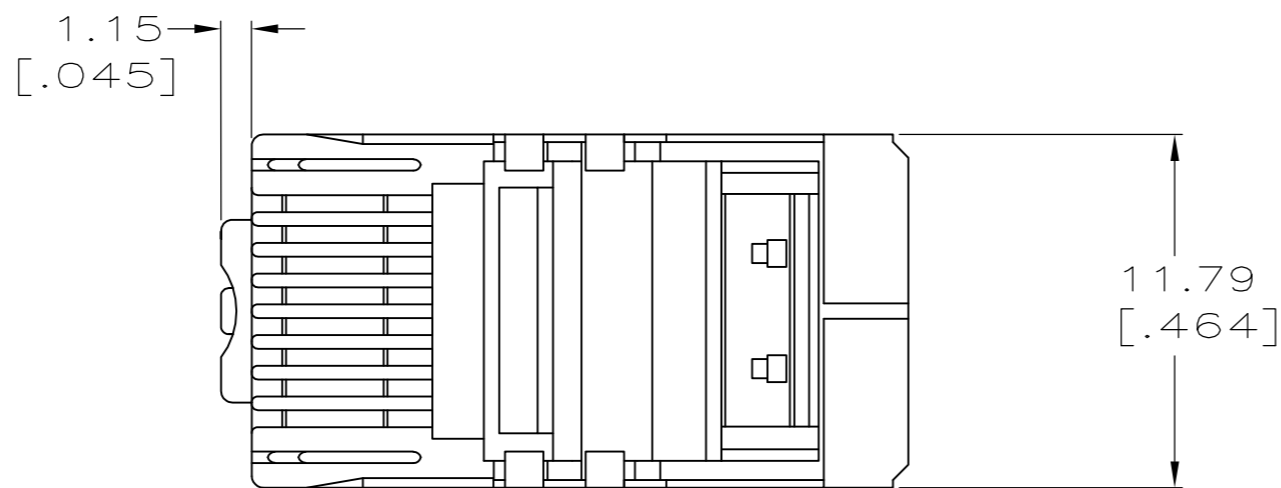


THIS DRAWING IS UNPUBLISHED. RELEASED FOR PUBLICATION
 © COPYRIGHT - By - ALL RIGHTS RESERVED.

LOC	DIST	REVISIONS					
		P	LTR	DESCRIPTION	DATE	DWN	APVD
HM	00	E		REV ECO-12-012918	03JUL2012	JM	JG



- 1. DIMENSIONS ARE MAXIMUM UNLESS OTHERWISE SPECIFIED.
- 2. MATERIAL: HOUSING - POLYCARBONATE, BLUE
 TERMINAL - PHOSPHOR BRONZE, PLATED WITH 1.27µm [.000050] MINIMUM THICK GOLD IN LOCALIZED GOLD PLATE AREA, OVER 2.54µm [.000100] MINIMUM THICK NICKEL UNDERPLATE.
 SHIELD - COPPER ALLOY WITH 1.27µm [.000050] MINIMUM SEMI-BRIGHT (SATIN) NICKEL.
- 3. PLUG WILL ACCEPT 26 TO 28 AWG STRANDED WIRE, 0.74-0.86 [.029-.034] DIAMETER, WITH A 5.08 [.200] DIAMETER MAXIMUM JACKET.
- 4. TERMINATED DIMENSION 6.15 [.242] MAXIMUM.
- 5. 500 ASSEMBLIES PER PACKAGE.
- 6. 100 ASSEMBLIES PER PACKAGE.

406342

6	5-406342-3
5	5-406342-2
PACKAGED	PART NUMBER

THIS DRAWING IS A CONTROLLED DOCUMENT.		DWN	L. HALL	25OCT2006		NAME		MODULAR PLUG ASSEMBLY, 8 POSITION, SHIELDED, SMALL CONDUCTOR, ROUND CABLE, STRANDED WIRE		
DIMENSIONS: mm [INCHES]		CHK	C. DOOLEY	30OCT2006		PRODUCT SPEC		108-1163	SIZE	A2
TOLERANCES UNLESS OTHERWISE SPECIFIED:		APVD	C. DOOLEY	30OCT2006		APPLICATION SPEC		114-6016	CAGE CODE	00779
0 PLC ± - 1		MATERIAL		FINISH		WEIGHT		-	DRAWING NO	C=406342
1 PLC ± - 2		CUSTOMER DRAWING		SCALE		4:1	SHEET	1 of 1	REV	E
2 PLC ± - 3										
3 PLC ± - 4										
4 PLC ± - 5										
ANGLES ± - 6										