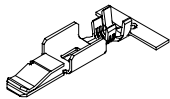
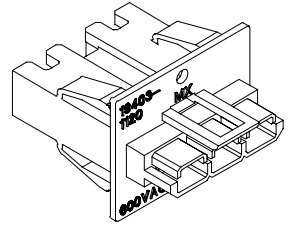
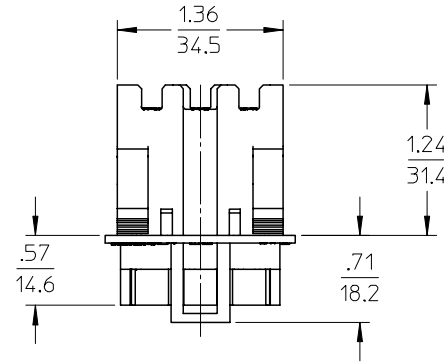
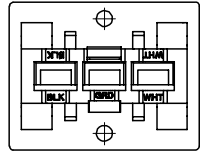
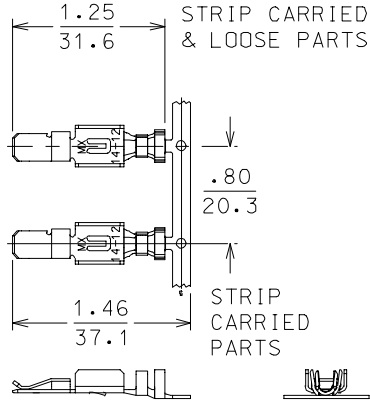


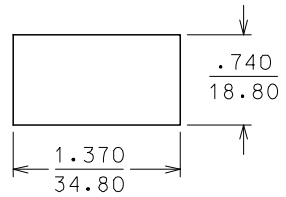
MATERIAL NUMBER	DESCRIPTION
194031120	SC HEADER
194031130	TERMINAL, STRIP CARRIED
194031131	TERMINAL, LOOSE PIECE



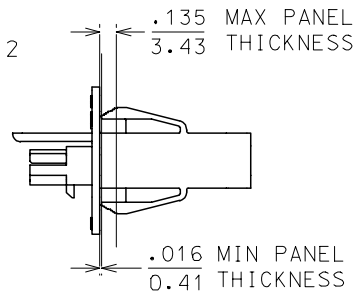
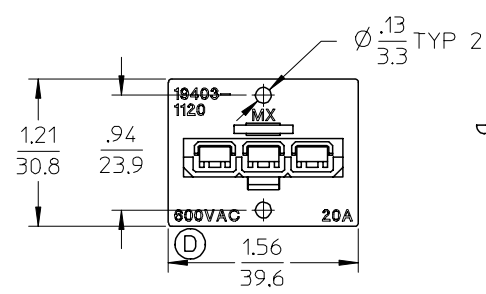
ISOMETRIC VIEW
TERMINAL, STRIP CARRIED



ISOMETRIC VIEW
SC HEADER



RECOMMENDED PANEL CUTOUT



SALES DRAWING

NOTES:
1) TERMINAL MATERIAL: HIGH COPPER ALLOY
PLATING: TIN
2) HOUSING MATERIAL: POLYESTER UL94-5VA

600VAC WAS 300VAC EC NO: ETC2005-0125 DRAWN: DMYRICK 2005/01/25 CHKD: RDEROSS 2005/01/26 APPR: RDEROSS 2005/01/26	QUALITY SYMBOLS	GENERAL TOLERANCES (UNLESS SPECIFIED)		DIMENSION STYLE IN/MM	SCALE 1:1	DESIGN UNITS INCH	THIRD ANGLE PROJECTION
	▽=0	mm	INCH	DRAWN BY DATE	TITLE		
	▽=0	4 PLACES ± --- ± ---	3 PLACES ± --- ± .005	DYOUNG 00/01/18	CUSTOMER DRAWING		
		2 PLACES ± 0.13 ± .01	1 PLACE ± 0.3 ± ---	CHECKED BY DATE	SC PANEL MOUNT CONNECT		
		ANGULAR ± 1/2°	APPROVED BY DATE	14-12 AWG			
			RDEROSS 00/01/18	MOLEX INCORPORATED			
			MATERIAL NO. SEE CHART	DOCUMENT NO. SD-19403-117		SHEET NO. 1 OF 1	
			DRAFT WHERE APPLICABLE MUST REMAIN WITHIN DIMENSIONS	THIS DRAWING CONTAINS INFORMATION THAT IS PROPRIETARY TO MOLEX INCORPORATED AND SHOULD NOT BE USED WITHOUT WRITTEN PERMISSION			