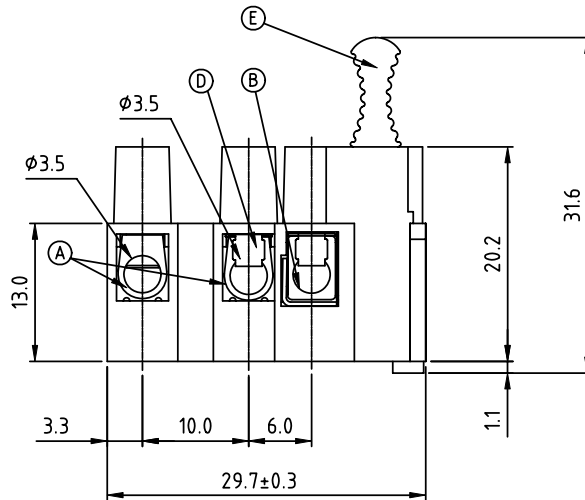
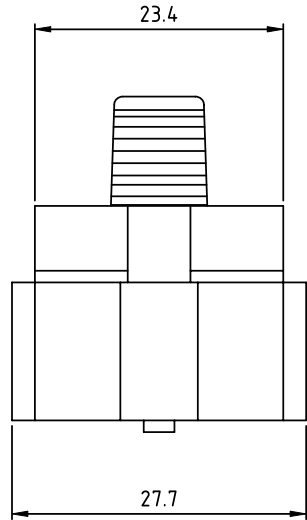
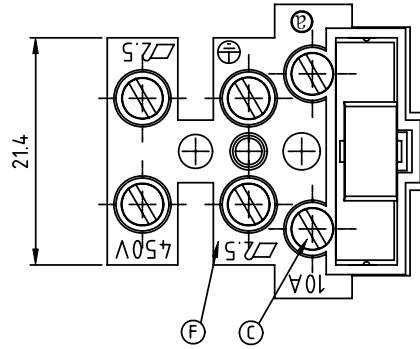


PRODUCT NUMBER	PITCH
TM031xxx00J0G	N/A



Material

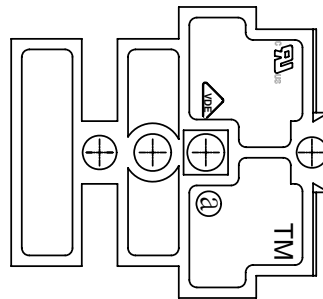
- (A) Terminal body(metal housing of double): Brass(CuZn),Ni plated
- (B) Terminal body(metal housing of single): Brass(CuZn),Ni plated
- (C) Terminal screw: Steel Zinc plating "-" slot type
- (D) Wire guard(short): Steeless steel
- (E) Fuse Holder: Thermoplastic (UL94V-0)
- (F) Insulator (housing): Thermoplastic (UL94V-0)
- (G) Wire guard(Long): Steeless steel

Electrical cULus VDE

- Voltage rating: 400VAC / 450VAC
- Current rating: 10A / 24A²
- Wire range: 0.34~2.5mm
- Solid wire(AWG): 14-22
- Stranded wire(AWG): 14-22
- Torque(Lb-In): 3.5 /0.5 Nm
- Screw: M3
- Wire strip length: 7-8mm
- Withstanding Voltage: 1.8KV / 2.5KV
- Operating temperature: -40°C to +115°C
- Safety Approval: cULus VDE

PART NO.: TM 03 1x x x 00J0 G

- Body Color: 8 Dark Grey, 9 White
- Fuse Holder Color: 0 Black
- Earth screw: 0 W/O Earth screw, 1 W/Earth screw (M3x14), 2 W/Earth screw (M3x18)
- RoHS compliant (lead<4%) In copper Alloy



mat'l. code		surface ASME Y14.5 ✓	tolerance ASME Y14.5	projection	product family TERMINAL BLOCK
ltr	ecn no	dr	date	tolerances unless otherwise specified	title
				angles X±0.5	TERMINAL BLOCK
				parallel X.X±0.3	WIRE PROTECTOR,SOLID BLOCK,180D WIRE INLET
				perpendicular X.XX±0.1	scale
		dr	EVIN ZHONG	040214	FCI
		engr	EVIN ZHONG	040214	TM031xxx00J0G
		chr	HANKE FENG	040214	sheet 1 of 1 size A4
		appd	SHI JUN	040214	type CUSTOMER Drawing
sheet index	revision	A			
	sheet	1			