



# PCA9554; PCA9554A

8-bit I<sup>2</sup>C-bus and SMBus I/O port with interrupt

Rev. 10 — 8 November 2017

Product data sheet

## 1. General description

---

The PCA9554 and PCA9554A are 16-pin CMOS devices that provide 8 bits of General Purpose parallel Input/Output (GPIO) expansion for I<sup>2</sup>C-bus/SMBus applications and were developed to enhance the NXP Semiconductors family of I<sup>2</sup>C-bus I/O expanders. The improvements include higher drive capability, 5 V I/O tolerance, lower supply current, individual I/O configuration, 400 kHz clock frequency, and smaller packaging. I/O expanders provide a simple solution when additional I/O is needed for ACPI power switches, sensors, push buttons, LEDs, fans, and so on.

The PCA9554/PCA9554A consist of an 8-bit Configuration register (Input or Output selection); 8-bit Input Port register, 8-bit Output Port register and an 8-bit Polarity Inversion register (active HIGH or active LOW operation). The system master can enable the I/Os as either inputs or outputs by writing to the I/O configuration bits. The data for each input or output is kept in the corresponding Input Port or Output Port register. The polarity of the read register can be inverted with the Polarity Inversion register. All registers can be read by the system master. Although pin-to-pin and I<sup>2</sup>C-bus address compatible with the PCF8574 series, software changes are required due to the enhancements and are discussed in *Application Note AN469*.

The PCA9554/PCA9554A open-drain interrupt output is activated when any input state differs from its corresponding Input Port register state and is used to indicate to the system master that an input state has changed. The power-on reset sets the registers to their default values and initializes the device state machine.

Three hardware pins (A0, A1, A2) vary the fixed I<sup>2</sup>C-bus address and allow up to eight devices to share the same I<sup>2</sup>C-bus/SMBus. The PCA9554A is identical to the PCA9554 except that the fixed I<sup>2</sup>C-bus address is different allowing up to sixteen of these devices (eight of each) on the same I<sup>2</sup>C-bus/SMBus.

## 2. Features and benefits

---

- Operating power supply voltage range of 2.3 V to 5.5 V
- 5 V tolerant I/Os
- Polarity Inversion register
- Active LOW interrupt output
- Low standby current
- Noise filter on SCL/SDA inputs
- No glitch on power-up
- Internal power-on reset
- 8 I/O pins which default to 8 inputs
- 0 Hz to 400 kHz clock frequency



- ESD protection exceeds 2000 V HBM per JESD22-A114 and 1000 V CDM per JESD22-C101
- Latch-up testing is done to JEDEC Standard JESD78 which exceeds 100 mA
- AEC-Q100 compliance available
- Packages offered: SO16, SSOP16, SSOP20, TSSOP16, HVQFN16 (2 versions: 4 × 4 × 0.85 mm and 3 × 3 × 0.85 mm), and bare die

### 3. Ordering information

Table 1. Ordering information

Type number	Topside marking	Package		
		Name	Description	Version
PCA9554D	PCA9554D	SO16	plastic small outline package; 16 leads; body width 7.5 mm	SOT162-1
PCA9554AD	PCA9554AD			
PCA9554DB	9554DB	SSOP16	plastic shrink small outline package; 16 leads; body width 5.3 mm	SOT338-1
PCA9554ADB	9554A			
PCA9554TS	PCA9554	SSOP20	plastic shrink small outline package; 20 leads; body width 4.4 mm	SOT266-1
PCA9554ATS	PA9554A			
PCA9554PW	9554DH	TSSOP16	plastic thin shrink small outline package; 16 leads; body width 4.4 mm	SOT403-1
PCA9554PW/Q900	9554DH			
PCA9554APW	9554ADH			
PCA9554BS	9554	HVQFN16	plastic thermal enhanced very thin quad flat package; no leads; 16 terminals; body 4 × 4 × 0.85 mm	SOT629-1
PCA9554ABS	554A			
PCA9554BS3	P54	HVQFN16	plastic thermal enhanced very thin quad flat package; no leads; 16 terminals; body 3 × 3 × 0.85 mm	SOT758-1
PCA9554ABS3	54A			
PCA9554U	-	bare die	-	-

[1] PCA9554PW/Q900 is AEC-Q100 compliant. Contact [i2c.support@nxp.com](mailto:i2c.support@nxp.com) for PPAP.

#### 3.1 Ordering options

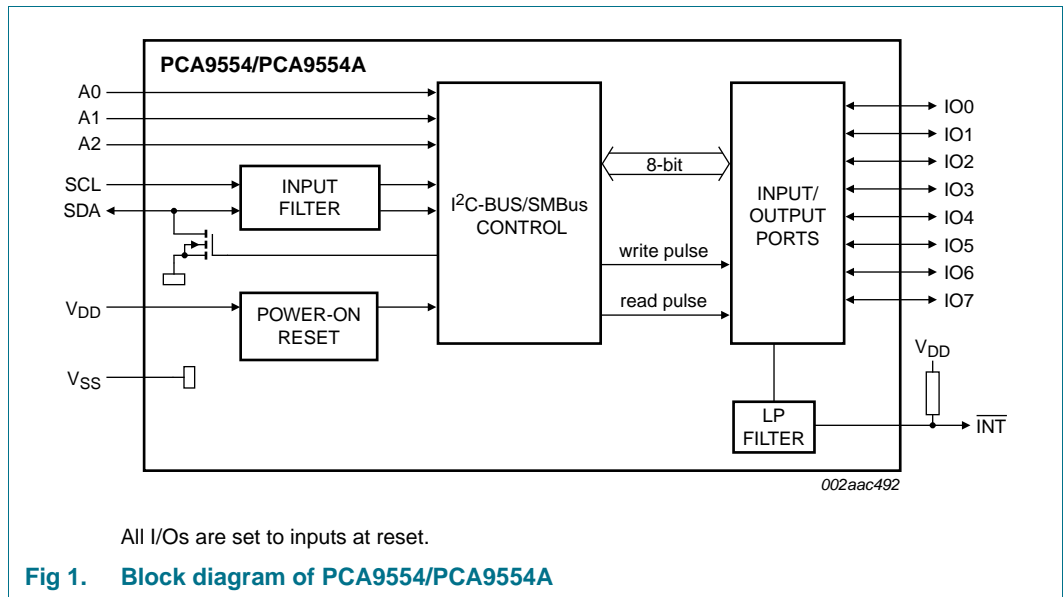
Table 2. Ordering options

Type number	Orderable part number	Package	Packing method	Minimum order quantity	Temperature
PCA9554D	PCA9554D,112	SO16	Standard marking * IC's tube - DSC bulk pack	1920	T <sub>amb</sub> = -40 °C to +85 °C
	PCA9554D,118	SO16	Reel 13" Q1/T1 *standard mark SMD	1000	T <sub>amb</sub> = -40 °C to +85 °C
PCA9554AD	PCA9554AD,112	SO16	Standard marking * IC's tube - DSC bulk pack	1920	T <sub>amb</sub> = -40 °C to +85 °C
	PCA9554AD,118	SO16	Reel 13" Q1/T1 *standard mark SMD	1000	T <sub>amb</sub> = -40 °C to +85 °C
PCA9554DB	PCA9554DB,112	SSOP16	Standard marking * IC's tube - DSC bulk pack	1092	T <sub>amb</sub> = -40 °C to +85 °C
	PCA9554DB,118	SSOP16	Reel 13" Q1/T1 *standard mark SMD	2000	T <sub>amb</sub> = -40 °C to +85 °C

Table 2. Ordering options ...continued

Type number	Orderable part number	Package	Packing method	Minimum order quantity	Temperature
PCA9554ADB	PCA9554ADB,112	SSOP16	Standard marking * IC's tube - DSC bulk pack	1092	T <sub>amb</sub> = -40 °C to +85 °C
	PCA9554ADB,118	SSOP16	Reel 13" Q1/T1 *standard mark SMD	2000	T <sub>amb</sub> = -40 °C to +85 °C
PCA9554TS	PCA9554TS,112	SSOP20	Standard marking * IC's tube - DSC bulk pack	1350	T <sub>amb</sub> = -40 °C to +85 °C
	PCA9554TS,118	SSOP20	Reel 13" Q1/T1 *standard mark SMD	2500	T <sub>amb</sub> = -40 °C to +85 °C
PCA9554ATS	PCA9554ATS,112	SSOP20	Standard marking * IC's tube - DSC bulk pack	1350	T <sub>amb</sub> = -40 °C to +85 °C
	PCA9554ATS,118	SSOP20	Reel 13" Q1/T1 *standard mark SMD	2500	T <sub>amb</sub> = -40 °C to +85 °C
PCA9554PW	PCA9554PW,112	TSSOP16	Standard marking * IC's tube - DSC bulk pack	2400	T <sub>amb</sub> = -40 °C to +85 °C
	PCA9554PW,118	TSSOP16	Reel 13" Q1/T1 *standard mark SMD	2500	T <sub>amb</sub> = -40 °C to +85 °C
PCA9554PW/Q900	PCA9554PW/Q900,118	TSSOP16	Reel 13" Q1/T1 *standard mark SMD	2500	T <sub>amb</sub> = -40 °C to +85 °C
PCA9554APW	PCA9554APW,112	TSSOP16	Standard marking * IC's tube - DSC bulk pack	2400	T <sub>amb</sub> = -40 °C to +85 °C
	PCA9554APW,118	TSSOP16	Reel 13" Q1/T1 *standard mark SMD	2500	T <sub>amb</sub> = -40 °C to +85 °C
PCA9554BS	PCA9554BS,118	HVQFN16	Reel 13" Q1/T1 *standard mark SMD	6000	T <sub>amb</sub> = -40 °C to +85 °C
PCA9554ABS	PCA9554ABS,118	HVQFN16	Reel 13" Q1/T1 *standard mark SMD	6000	T <sub>amb</sub> = -40 °C to +85 °C
PCA9554BS3	PCA9554BS3,118	HVQFN16	Reel 13" Q1/T1 *standard mark SMD	6000	T <sub>amb</sub> = -40 °C to +85 °C
PCA9554ABS3	PCA9554ABS3,118	HVQFN16	Reel 13" Q1/T1 *standard mark SMD	6000	T <sub>amb</sub> = -40 °C to +85 °C
PCA9554U	PCA9554U,029	bare die	Reel 7" Q1/T1 *no mark die mounted on punched tape	7000	T <sub>amb</sub> = -40 °C to +85 °C

## 4. Block diagram



## 5. Pinning information

### 5.1 Pinning

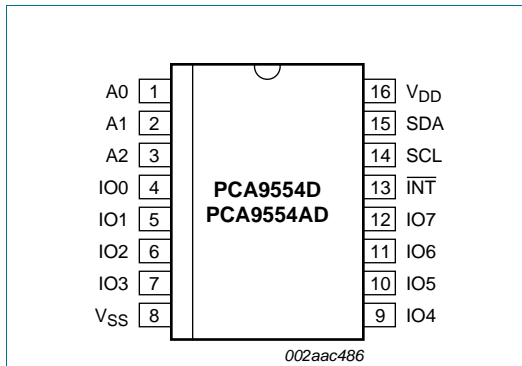


Fig 2. Pin configuration for SO16

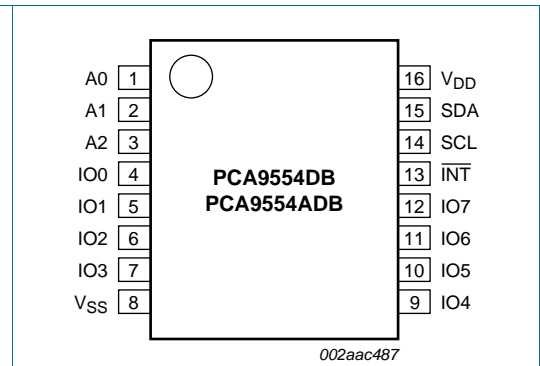


Fig 3. Pin configuration for SSOP16

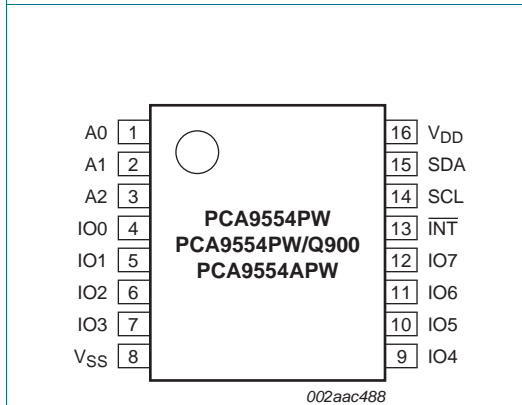


Fig 4. Pin configuration for TSSOP16

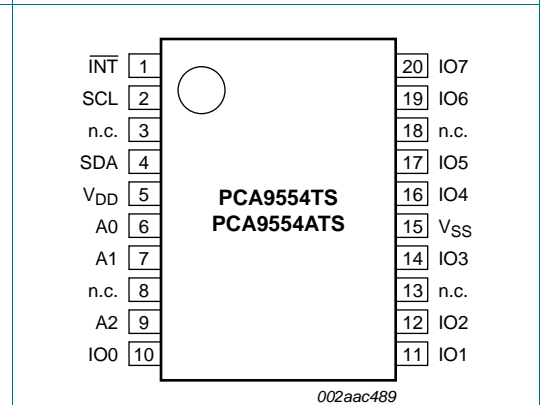


Fig 5. Pin configuration for SSOP20

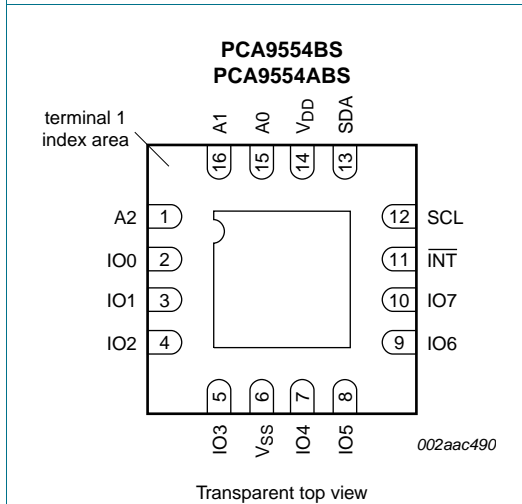


Fig 6. Pin configuration for HVQFN16 (SOT629-1)

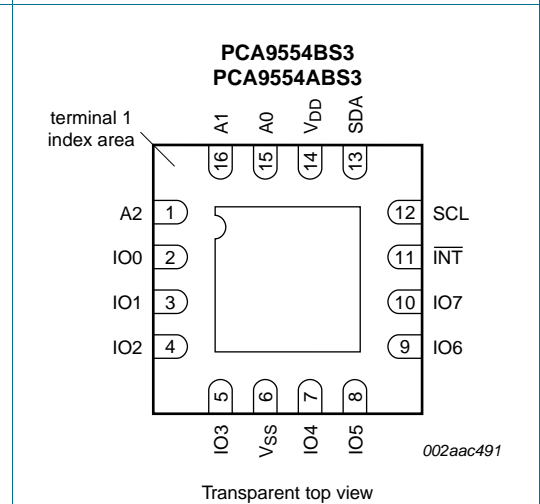


Fig 7. Pin configuration for HVQFN16 (SOT758-1)

## 5.2 Pin description

Table 3. Pin description

Symbol	Pin			Description
	SO16, SSOP16, TSSOP16	HVQFN16	SSOP20	
A0	1	15	6	address input 0
A1	2	16	7	address input 1
A2	3	1	9	address input 2
IO0	4	2	10	input/output 0
IO1	5	3	11	input/output 1
IO2	6	4	12	input/output 2
IO3	7	5	14	input/output 3
V <sub>SS</sub>	8	6 <sup>[1]</sup>	15	supply ground
IO4	9	7	16	input/output 4
IO5	10	8	17	input/output 5
IO6	11	9	19	input/output 6
IO7	12	10	20	input/output 7
$\overline{\text{INT}}$	13	11	1	interrupt output (open-drain)
SCL	14	12	2	serial clock line
SDA	15	13	4	serial data line
V <sub>DD</sub>	16	14	5	supply voltage
n.c.	-	-	3, 8, 13, 18	not connected

[1] HVQFN16 package die supply ground is connected to both V<sub>SS</sub> pin and exposed center pad. V<sub>SS</sub> pin must be connected to supply ground for proper device operation. For enhanced thermal, electrical, and board level performance, the exposed pad needs to be soldered to the board using a corresponding thermal pad on the board and for proper heat conduction through the board, thermal vias need to be incorporated in the PCB in the thermal pad region.

## 6. Functional description

Refer to [Figure 1 “Block diagram of PCA9554/PCA9554A”](#).

### 6.1 Registers

#### 6.1.1 Command byte

Table 4. Command byte

Command	Protocol	Function
0	read byte	Input Port register
1	read/write byte	Output Port register
2	read/write byte	Polarity Inversion register
3	read/write byte	Configuration register

The command byte is the first byte to follow the address byte during a write transmission. It is used as a pointer to determine which of the following registers will be written or read.

### 6.1.2 Register 0 - Input Port register

This register is a read-only port. It reflects the incoming logic levels of the pins, regardless of whether the pin is defined as an input or an output by Register 3. Writes to this register have no effect.

The default 'X' is determined by the externally applied logic level, normally '1' when no external signal externally applied because of the internal pull-up resistors.

**Table 5. Register 0 - Input Port register bit description**

Bit	Symbol	Access	Value	Description
7	I7	read only	X	determined by externally applied logic level
6	I6	read only	X	
5	I5	read only	X	
4	I4	read only	X	
3	I3	read only	X	
2	I2	read only	X	
1	I1	read only	X	
0	I0	read only	X	

### 6.1.3 Register 1 - Output Port register

This register reflects the outgoing logic levels of the pins defined as outputs by Register 3. Bit values in this register have no effect on pins defined as inputs. Reads from this register return the value that is in the flip-flop controlling the output selection, **not** the actual pin value.

**Table 6. Register 1 - Output Port register bit description**

Legend: \* default value.

Bit	Symbol	Access	Value	Description
7	O7	R	1*	reflects outgoing logic levels of pins defined as outputs by Register 3
6	O6	R	1*	
5	O5	R	1*	
4	O4	R	1*	
3	O3	R	1*	
2	O2	R	1*	
1	O1	R	1*	
0	O0	R	1*	

### 6.1.4 Register 2 - Polarity Inversion register

This register allows the user to invert the polarity of the Input Port register data. If a bit in this register is set (written with '1'), the corresponding Input Port data is inverted. If a bit in this register is cleared (written with a '0'), the Input Port data polarity is retained.

**Table 7. Register 2 - Polarity Inversion register bit description**

Legend: \* default value.

Bit	Symbol	Access	Value	Description
7	N7	R/W	0*	inverts polarity of Input Port register data 0 = Input Port register data retained (default value) 1 = Input Port register data inverted
6	N6	R/W	0*	
5	N5	R/W	0*	
4	N4	R/W	0*	
3	N3	R/W	0*	
2	N2	R/W	0*	
1	N1	R/W	0*	
0	N0	R/W	0*	

### 6.1.5 Register 3 - Configuration register

This register configures the directions of the I/O pins. If a bit in this register is set, the corresponding port pin is enabled as an input with high-impedance output driver. If a bit in this register is cleared, the corresponding port pin is enabled as an output. At reset, the I/Os are configured as inputs with a weak pull-up to V<sub>DD</sub>.

**Table 8. Register 3 - Configuration register bit description**

Legend: \* default value.

Bit	Symbol	Access	Value	Description
7	C7	R/W	1*	configures the directions of the I/O pins 0 = corresponding port pin enabled as an output 1 = corresponding port pin configured as input (default value)
6	C6	R/W	1*	
5	C5	R/W	1*	
4	C4	R/W	1*	
3	C3	R/W	1*	
2	C2	R/W	1*	
1	C1	R/W	1*	
0	C0	R/W	1*	

## 6.2 Power-on reset

When power is applied to V<sub>DD</sub>, an internal Power-On Reset (POR) holds the PCA9554/PCA9554A in a reset condition until V<sub>DD</sub> has reached V<sub>POR</sub>. At that point, the reset condition is released and the PCA9554/PCA9554A registers and state machine will initialize to their default states. Thereafter, V<sub>DD</sub> must be lowered below 0.2 V to reset the device.

For a power reset cycle, V<sub>DD</sub> must be lowered below 0.2 V and then restored to the operating voltage.



### 6.3 Interrupt output

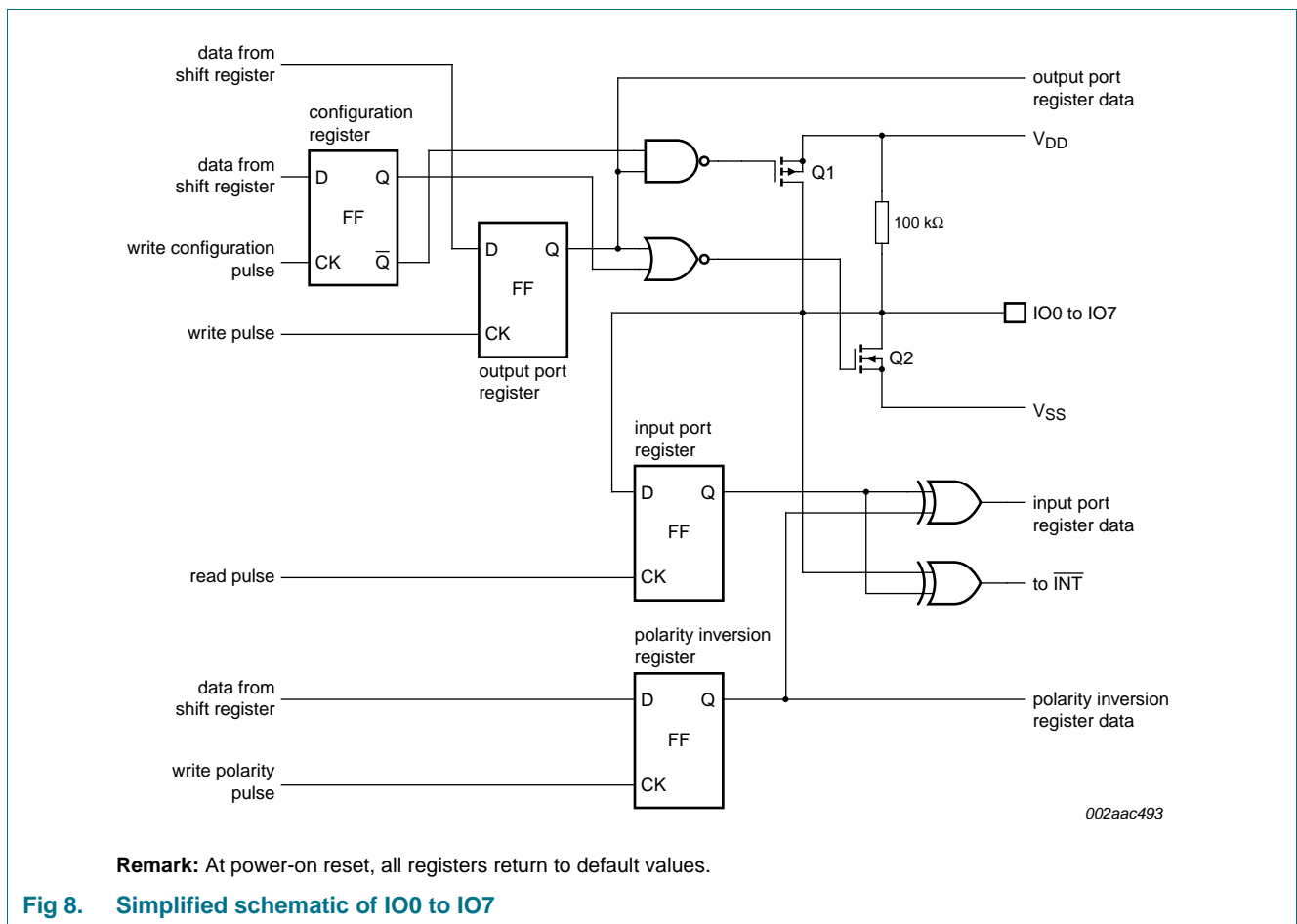
The open-drain interrupt output is activated when one of the port pins change state and the pin is configured as an input. The interrupt is deactivated when the input returns to its previous state or the Input Port register is read.

Note that changing an I/O from and output to an input may cause a false interrupt to occur if the state of the pin does not match the contents of the Input Port register.

### 6.4 I/O port

When an I/O is configured as an input, FETs Q1 and Q2 are off, creating a high-impedance input with a weak pull-up (100 kΩ typ.) to V<sub>DD</sub>. The input voltage may be raised above V<sub>DD</sub> to a maximum of 5.5 V.

If the I/O is configured as an output, then either Q1 or Q2 is enabled, depending on the state of the Output Port register. Care should be exercised if an external voltage is applied to an I/O configured as an output because of the low-impedance paths that exist between the pin and either V<sub>DD</sub> or V<sub>SS</sub>.



**Remark:** At power-on reset, all registers return to default values.

**Fig 8. Simplified schematic of IO0 to IO7**

6.5 Device address

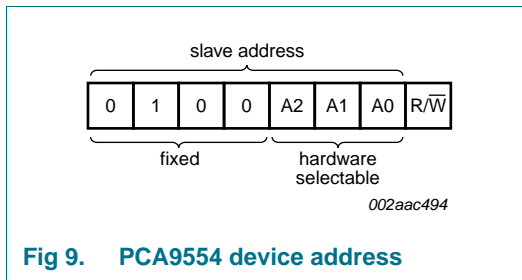


Fig 9. PCA9554 device address

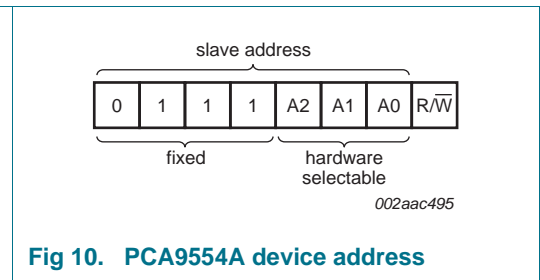


Fig 10. PCA9554A device address

6.6 Bus transactions

Data is transmitted to the PCA9554/PCA9554A registers using the Write mode as shown in Figure 11 and Figure 12. Data is read from the PCA9554/PCA9554A registers using the Read mode as shown in Figure 13 and Figure 14. These devices do not implement an auto-increment function, so once a command byte has been sent, the register which was addressed will continue to be accessed by reads until a new command byte has been sent.

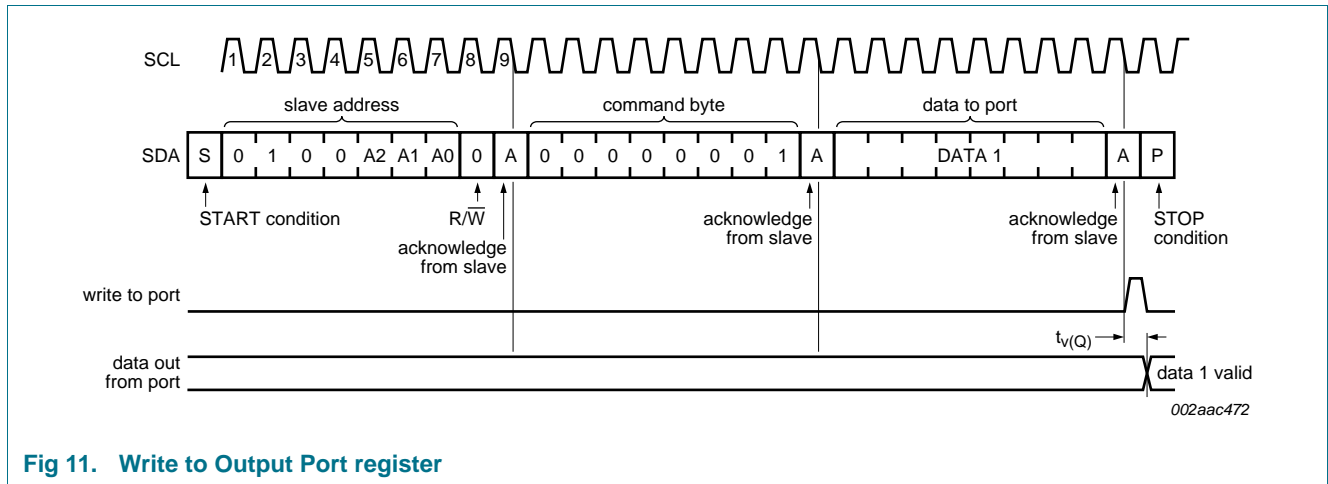


Fig 11. Write to Output Port register

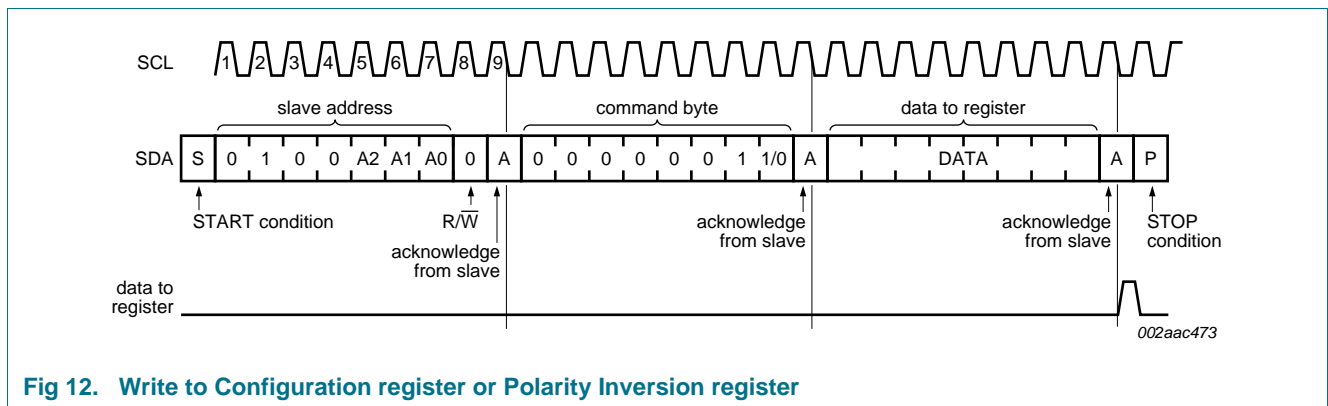


Fig 12. Write to Configuration register or Polarity Inversion register

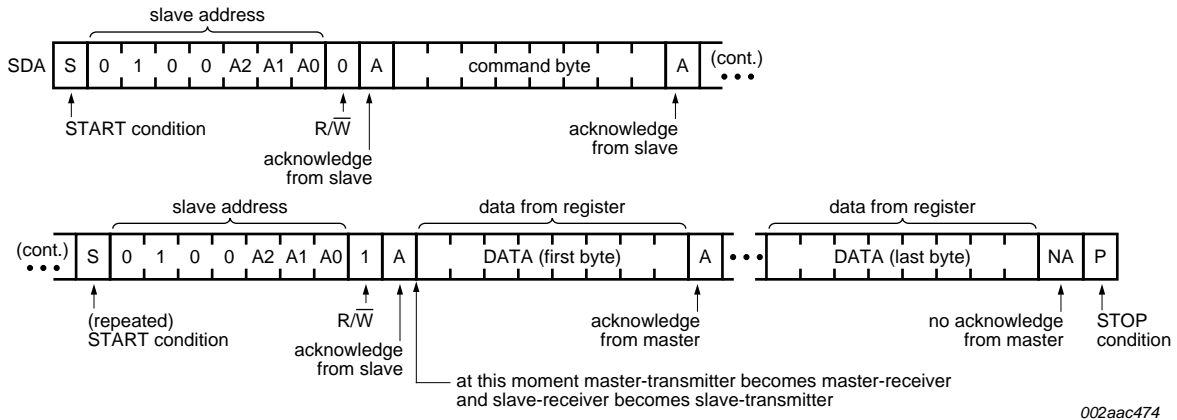
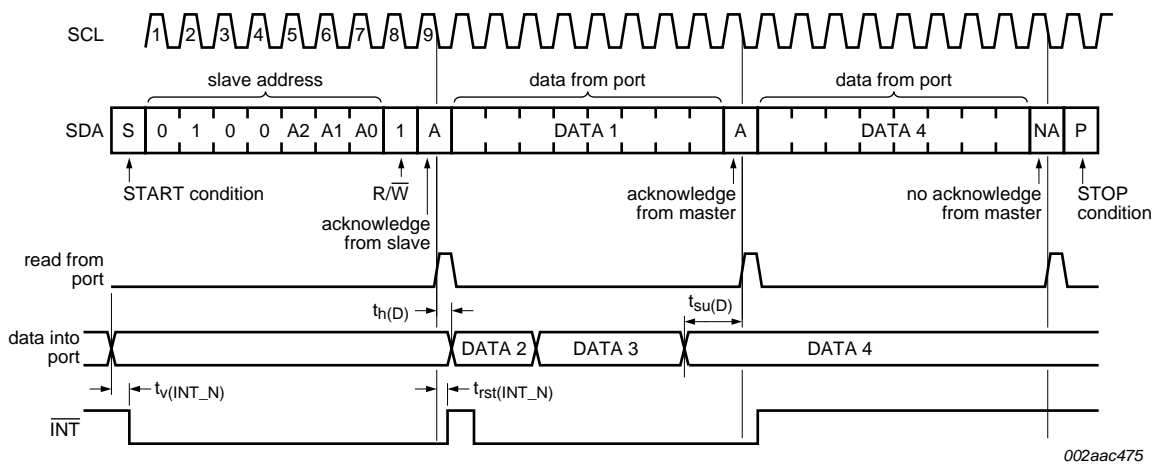


Fig 13. Read from register



This figure assumes the command byte has previously been programmed with 00h.  
 Transfer of data can be stopped at any moment by a STOP condition.

Fig 14. Read Input Port register

## 7. Application design-in information

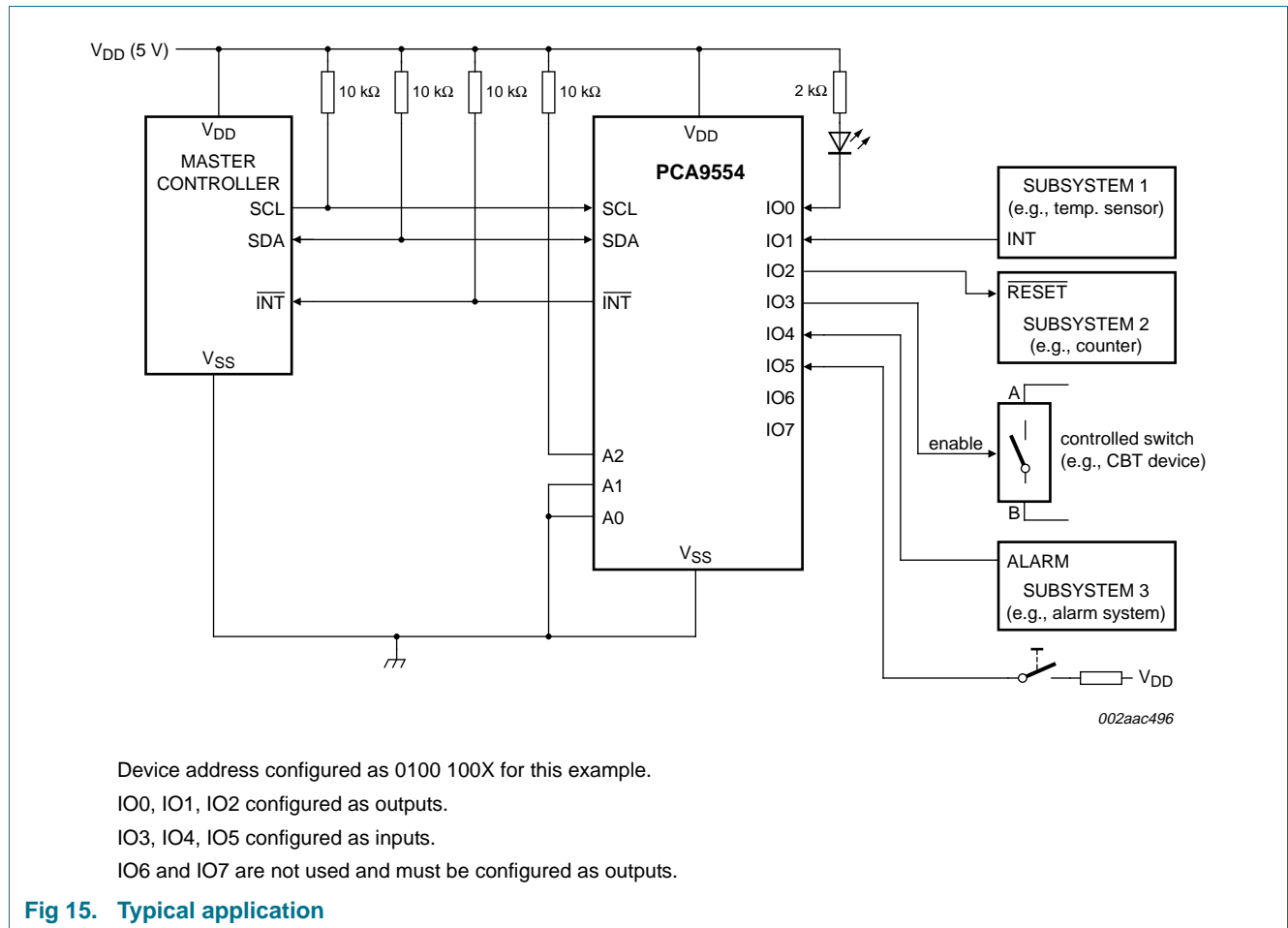


Fig 15. Typical application

## 8. Limiting values

Table 9. Limiting values

In accordance with the Absolute Maximum Rating System (IEC 60134).

Symbol	Parameter	Conditions	Min	Max	Unit
V <sub>DD</sub>	supply voltage		-0.5	+6.0	V
I <sub>I</sub>	input current		-	±20	mA
V <sub>I/O</sub>	voltage on an input/output pin		V <sub>SS</sub> - 0.5	5.5	V
I <sub>O(IOn)</sub>	output current on pin IO <sub>n</sub>		-	±50	mA
I <sub>DD</sub>	supply current		-	85	mA
I <sub>SS</sub>	ground supply current		-	100	mA
P <sub>tot</sub>	total power dissipation		-	200	mW
T <sub>stg</sub>	storage temperature		-65	+150	°C
T <sub>amb</sub>	ambient temperature	operating	-40	+85	°C

## 9. Static characteristics

**Table 10. Static characteristics**
 $V_{DD} = 2.3 \text{ V to } 5.5 \text{ V}; V_{SS} = 0 \text{ V}; T_{amb} = -40 \text{ }^{\circ}\text{C to } +85 \text{ }^{\circ}\text{C};$  unless otherwise specified.

Symbol	Parameter	Conditions	Min	Typ	Max	Unit	
<b>Supplies</b>							
$V_{DD}$	supply voltage		2.3	-	5.5	V	
$I_{DD}$	supply current	operating mode; $V_{DD} = 5.5 \text{ V}$ ; no load; $f_{SCL} = 100 \text{ kHz}$	-	104	175	$\mu\text{A}$	
$I_{stb}$	standby current	Standby mode; $V_{DD} = 5.5 \text{ V}$ ; no load; $V_I = V_{SS}$ ; $f_{SCL} = 0 \text{ kHz}$ ; I/O = inputs	-	550	700	$\mu\text{A}$	
		Standby mode; $V_{DD} = 5.5 \text{ V}$ ; no load; $V_I = V_{DD}$ ; $f_{SCL} = 0 \text{ kHz}$ ; I/O = inputs	-	0.25	1	$\mu\text{A}$	
$V_{POR}$	power-on reset voltage	no load; $V_I = V_{DD}$ or $V_{SS}$	[1]	1.7	2.2	V	
<b>Input SCL; input/output SDA</b>							
$V_{IL}$	LOW-level input voltage		-0.5	-	+0.3 $V_{DD}$	V	
$V_{IH}$	HIGH-level input voltage		0.7 $V_{DD}$	-	5.5	V	
$I_{OL}$	LOW-level output current	$V_{OL} = 0.4 \text{ V}$	3	6	-	mA	
$I_L$	leakage current	$V_I = V_{DD} = V_{SS}$	-1	-	+1	$\mu\text{A}$	
$C_i$	input capacitance	$V_I = V_{SS}$	-	6	10	pF	
<b>I/Os</b>							
$V_{IL}$	LOW-level input voltage		-0.5	-	+0.8	V	
$V_{IH}$	HIGH-level input voltage		2.0	-	5.5	V	
$I_{OL}$	LOW-level output current	$V_{OL} = 0.5 \text{ V}; V_{DD} = 2.3 \text{ V}$	[2]	8	10	-	mA
		$V_{OL} = 0.7 \text{ V}; V_{DD} = 2.3 \text{ V}$	[2]	10	13	-	mA
		$V_{OL} = 0.5 \text{ V}; V_{DD} = 3.0 \text{ V}$	[2]	8	14	-	mA
		$V_{OL} = 0.7 \text{ V}; V_{DD} = 3.0 \text{ V}$	[2]	10	19	-	mA
		$V_{OL} = 0.5 \text{ V}; V_{DD} = 4.5 \text{ V}$	[2]	8	17	-	mA
		$V_{OL} = 0.7 \text{ V}; V_{DD} = 4.5 \text{ V}$	[2]	10	24	-	mA
$V_{OH}$	HIGH-level output voltage	$I_{OH} = -8 \text{ mA}; V_{DD} = 2.3 \text{ V}$	[3]	1.8	-	-	V
		$I_{OH} = -10 \text{ mA}; V_{DD} = 2.3 \text{ V}$	[3]	1.7	-	-	V
		$I_{OH} = -8 \text{ mA}; V_{DD} = 3.0 \text{ V}$	[3]	2.6	-	-	V
		$I_{OH} = -10 \text{ mA}; V_{DD} = 3.0 \text{ V}$	[3]	2.5	-	-	V
		$I_{OH} = -8 \text{ mA}; V_{DD} = 4.75 \text{ V}$	[3]	4.1	-	-	V
		$I_{OH} = -10 \text{ mA}; V_{DD} = 4.75 \text{ V}$	[3]	4.0	-	-	V
$I_{LI}$	input leakage current	$V_{DD} = 3.6 \text{ V}; V_I = V_{DD}$	-1	-	+1	$\mu\text{A}$	
$I_L$	leakage current	$V_{DD} = 5.5 \text{ V}; V_I = V_{SS}$	-	-	-100	$\mu\text{A}$	
$C_i$	input capacitance		-	3.7	5	pF	
$C_o$	output capacitance		-	3.7	5	pF	
<b>Interrupt INT</b>							
$I_{OL}$	LOW-level output current	$V_{OL} = 0.4 \text{ V}$	3	-	-	mA	

**Table 10. Static characteristics ...continued** $V_{DD} = 2.3 \text{ V to } 5.5 \text{ V}$ ;  $V_{SS} = 0 \text{ V}$ ;  $T_{amb} = -40 \text{ }^\circ\text{C to } +85 \text{ }^\circ\text{C}$ ; unless otherwise specified.

Symbol	Parameter	Conditions	Min	Typ	Max	Unit
<b>Select inputs A0, A1, A2</b>						
$V_{IL}$	LOW-level input voltage		-0.5	-	0.8	V
$V_{IH}$	HIGH-level input voltage		2.0	-	5.5	V
$I_{LI}$	input leakage current		-1	-	1	$\mu\text{A}$

[1]  $V_{DD}$  must be lowered to 0.2 V for at least 5  $\mu\text{s}$  in order to reset part.

[2] Each I/O must be externally limited to a maximum of 25 mA and the device must be limited to a maximum current of 100 mA.

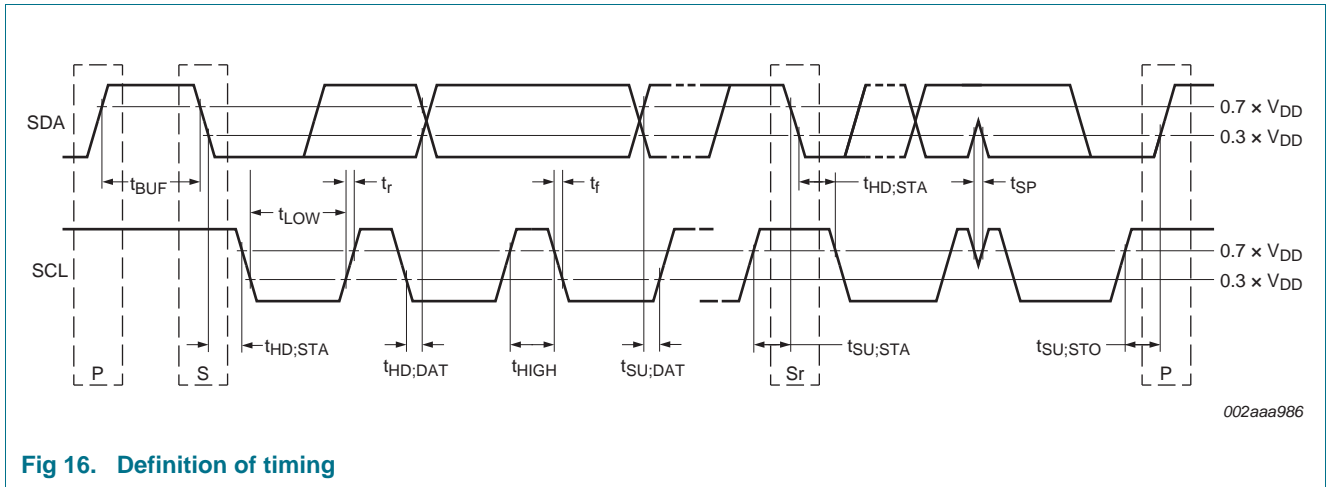
[3] The total current sourced by all I/Os must be limited to 85 mA.

## 10. Dynamic characteristics

**Table 11. Dynamic characteristics**

Symbol	Parameter	Conditions	Standard-mode I <sup>2</sup> C-bus		Fast-mode I <sup>2</sup> C-bus		Unit
			Min	Max	Min	Max	
$f_{SCL}$	SCL clock frequency		0	100	0	400	kHz
$t_{BUF}$	bus free time between a STOP and START condition		4.7	-	1.3	-	$\mu\text{s}$
$t_{HD;STA}$	hold time (repeated) START condition		4.0	-	0.6	-	$\mu\text{s}$
$t_{SU;STA}$	set-up time for a repeated START condition		4.7	-	0.6	-	$\mu\text{s}$
$t_{SU;STO}$	set-up time for STOP condition		4.0	-	0.6	-	$\mu\text{s}$
$t_{HD;DAT}$	data hold time		0	-	0	-	$\mu\text{s}$
$t_{VD;ACK}$	data valid acknowledge time	[1]	0.3	3.45	0.1	0.9	$\mu\text{s}$
$t_{VD;DAT}$	data valid time	[2]	300	-	50	-	ns
$t_{SU;DAT}$	data set-up time		250	-	100	-	ns
$t_{LOW}$	LOW period of the SCL clock		4.7	-	1.3	-	$\mu\text{s}$
$t_{HIGH}$	HIGH period of the SCL clock		4.0	-	0.6	-	$\mu\text{s}$
$t_r$	rise time of both SDA and SCL signals		-	1000	$20 + 0.1C_b$ [3]	300	ns
$t_f$	fall time of both SDA and SCL signals		-	300	$20 + 0.1C_b$ [3]	300	ns
$t_{SP}$	pulse width of spikes that must be suppressed by the input filter		-	50	-	50	ns
<b>Port timing</b>							
$t_{V(Q)}$	data output valid time		-	200	-	200	ns
$t_{su(D)}$	data input set-up time		100	-	100	-	ns
$t_{h(D)}$	data input hold time		1	-	1	-	$\mu\text{s}$
<b>Interrupt timing</b>							
$t_{V(INT\_N)}$	valid time on pin $\overline{INT}$		-	4	-	4	$\mu\text{s}$
$t_{rst(INT\_N)}$	reset time on pin $\overline{INT}$		-	4	-	4	$\mu\text{s}$

[1]  $t_{VD;ACK}$  = time for Acknowledgement signal from SCL LOW to SDA (out) LOW.[2]  $t_{VD;DAT}$  = minimum time for SDA data output to be valid following SCL LOW.[3]  $C_b$  = total capacitance of one bus line in pF.



**Fig 16. Definition of timing**

11. Package outline

SO16: plastic small outline package; 16 leads; body width 7.5 mm

SOT162-1

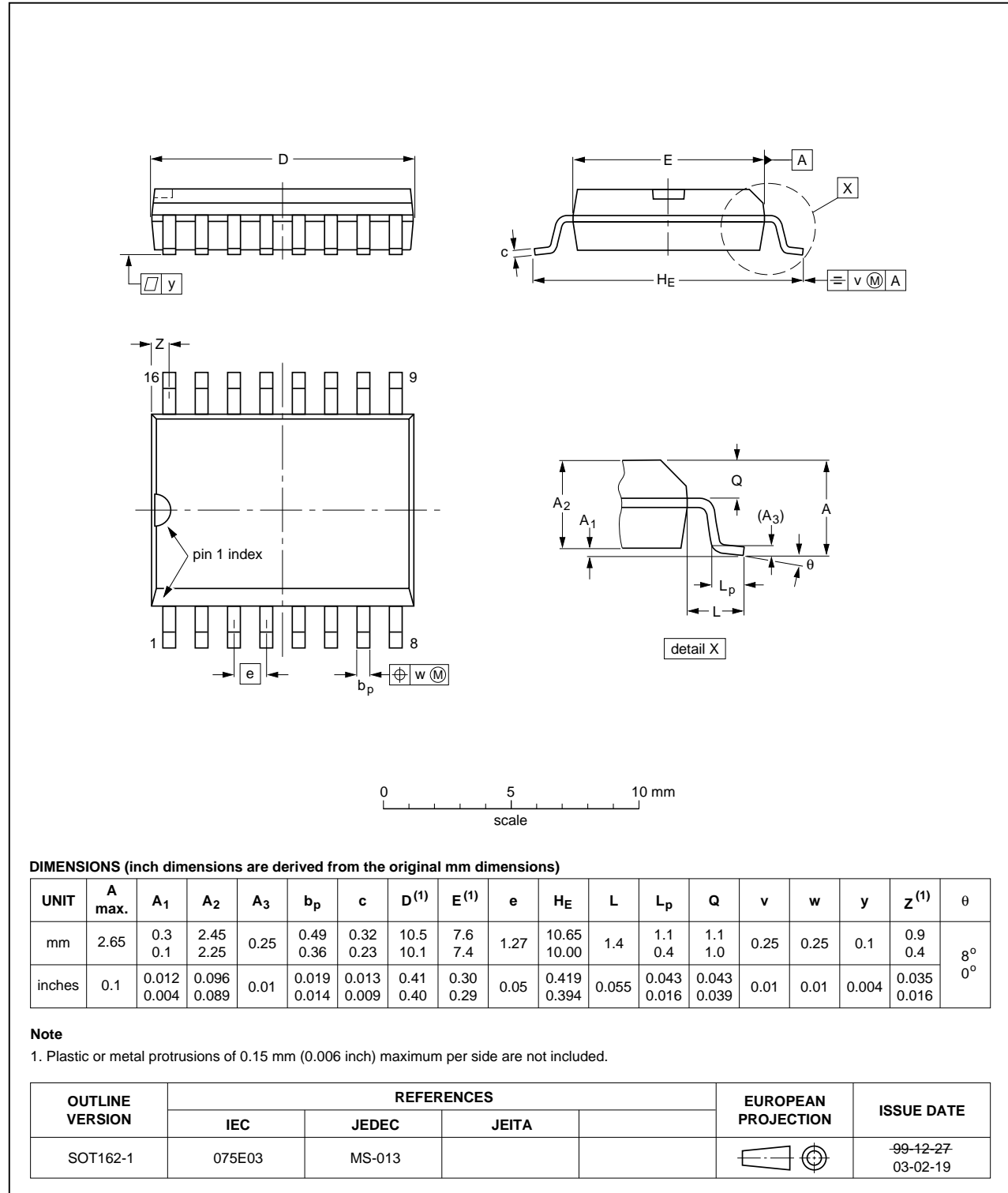


Fig 17. Package outline SOT162-1 (SO16)



SSOP16: plastic shrink small outline package; 16 leads; body width 5.3 mm

SOT338-1

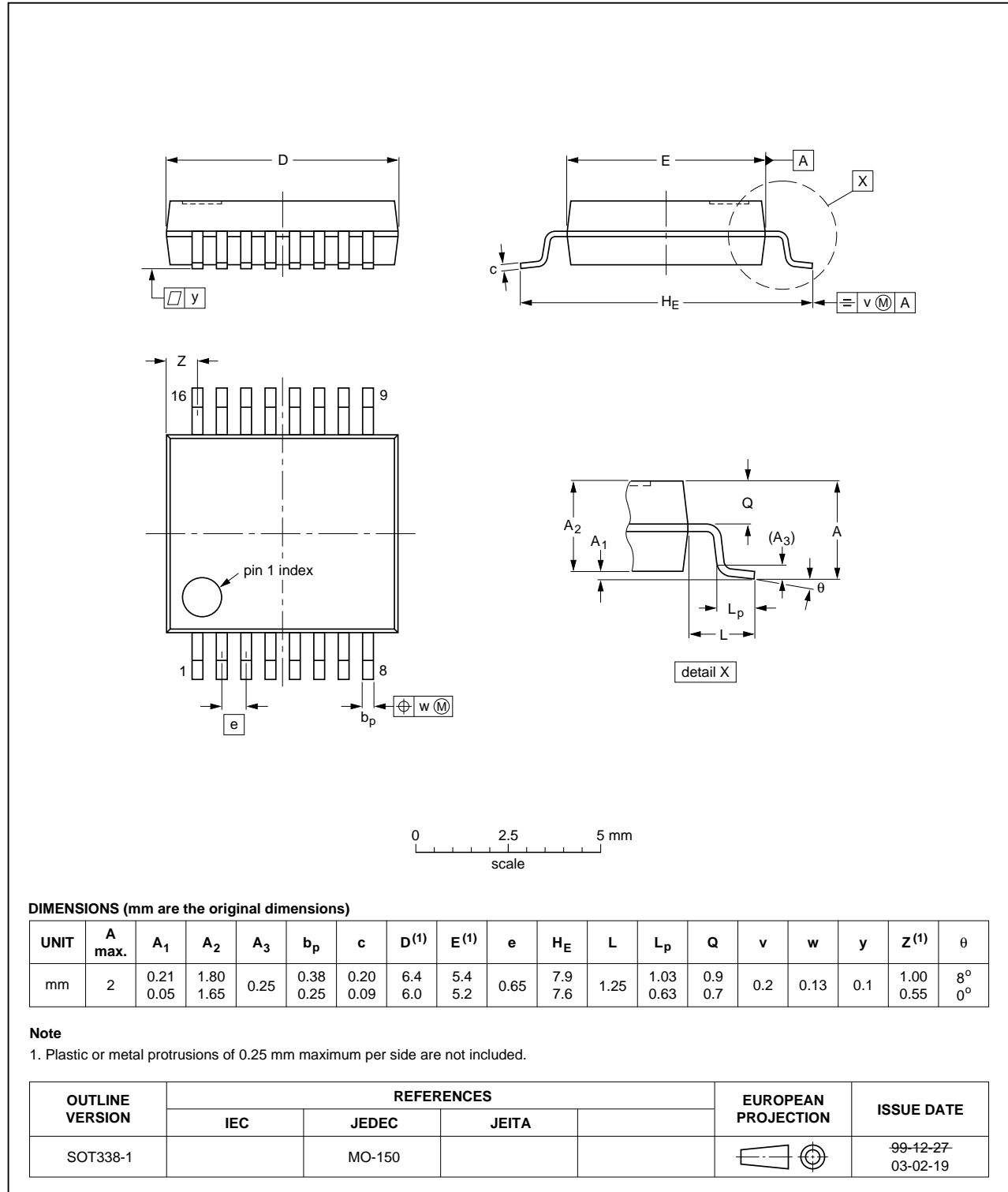


Fig 18. Package outline SOT338-1 (SSOP16)

SSOP20: plastic shrink small outline package; 20 leads; body width 4.4 mm

SOT266-1

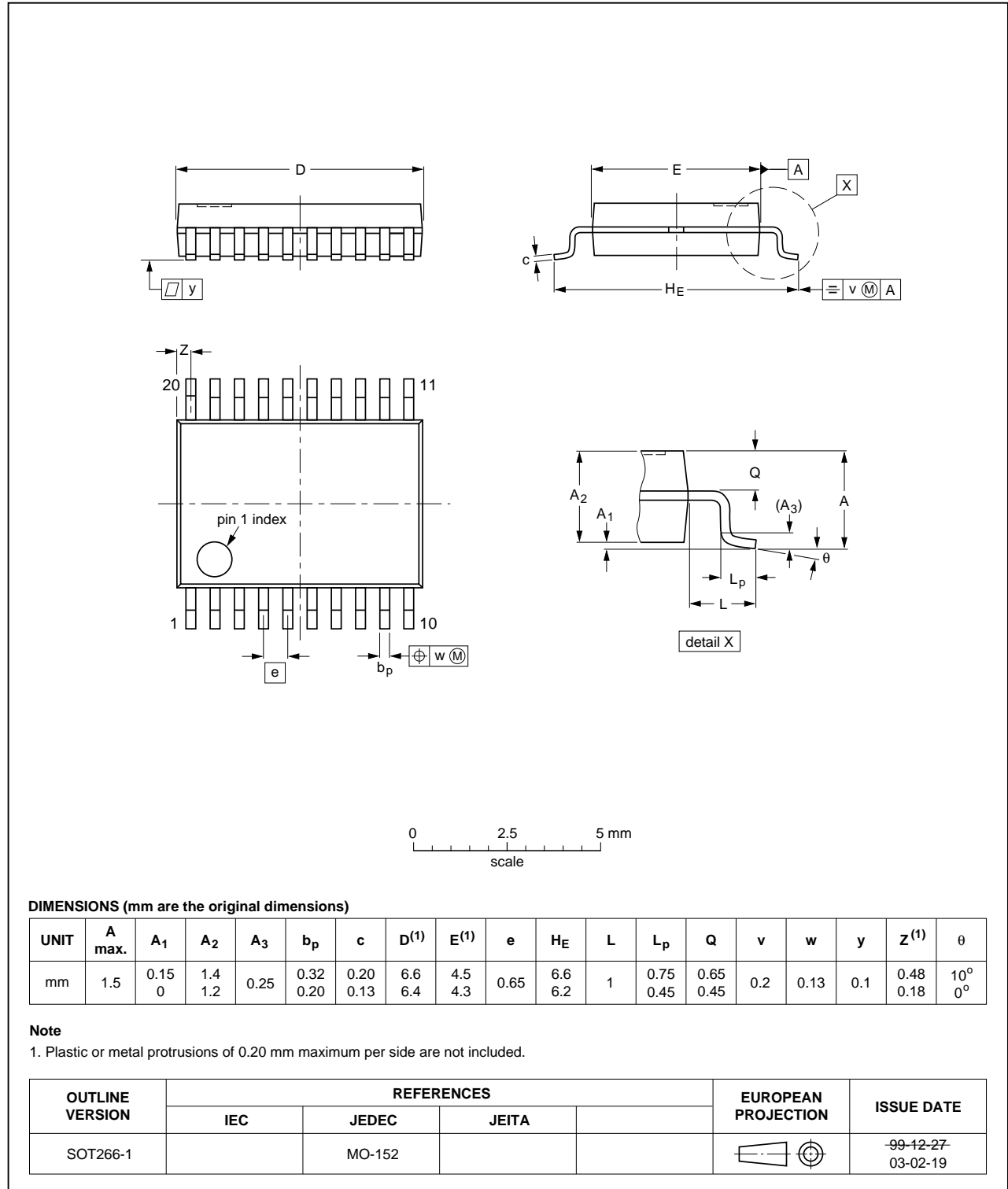


Fig 19. Package outline SOT266-1 (SSOP20)

TSSOP16: plastic thin shrink small outline package; 16 leads; body width 4.4 mm

SOT403-1

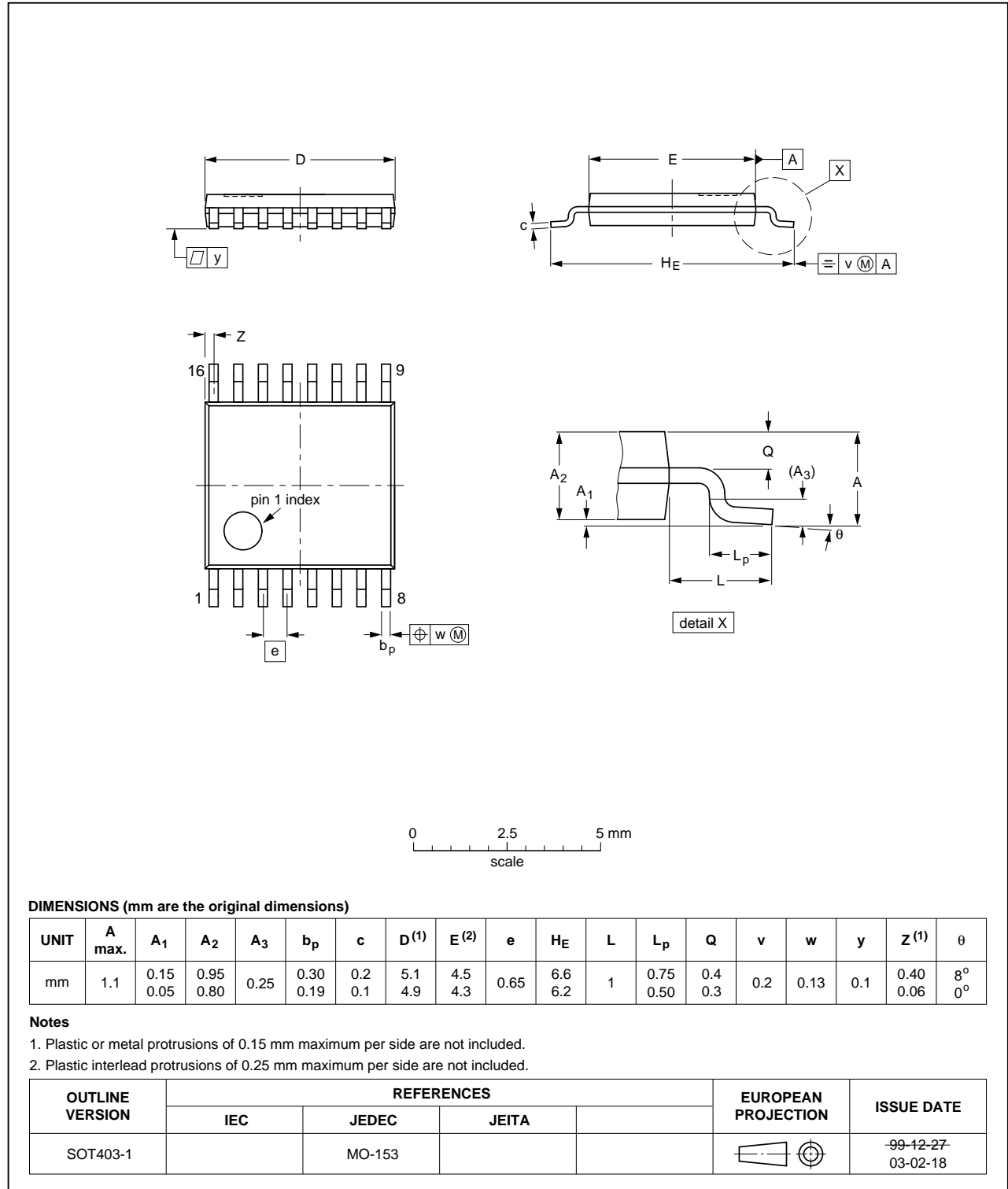


Fig 20. Package outline SOT403-1 (TSSOP16)

**HVQFN16: plastic thermal enhanced very thin quad flat package; no leads;**  
**16 terminals; body 4 x 4 x 0.85 mm**

SOT629-1

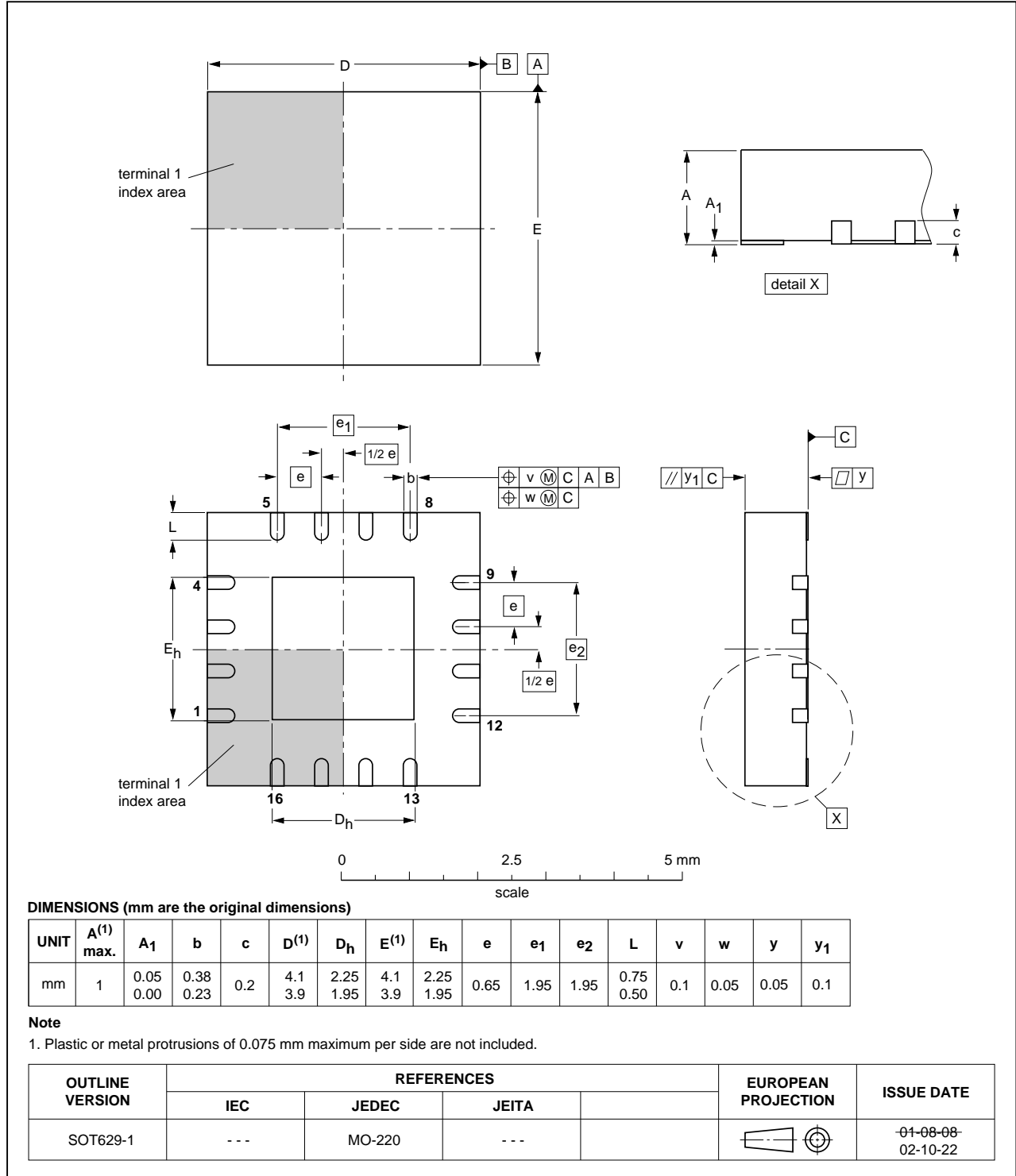


Fig 21. Package outline SOT629-1 (HVQFN16)

**HVQFN16: plastic thermal enhanced very thin quad flat package; no leads;**  
**16 terminals; body 3 x 3 x 0.85 mm**

SOT758-1

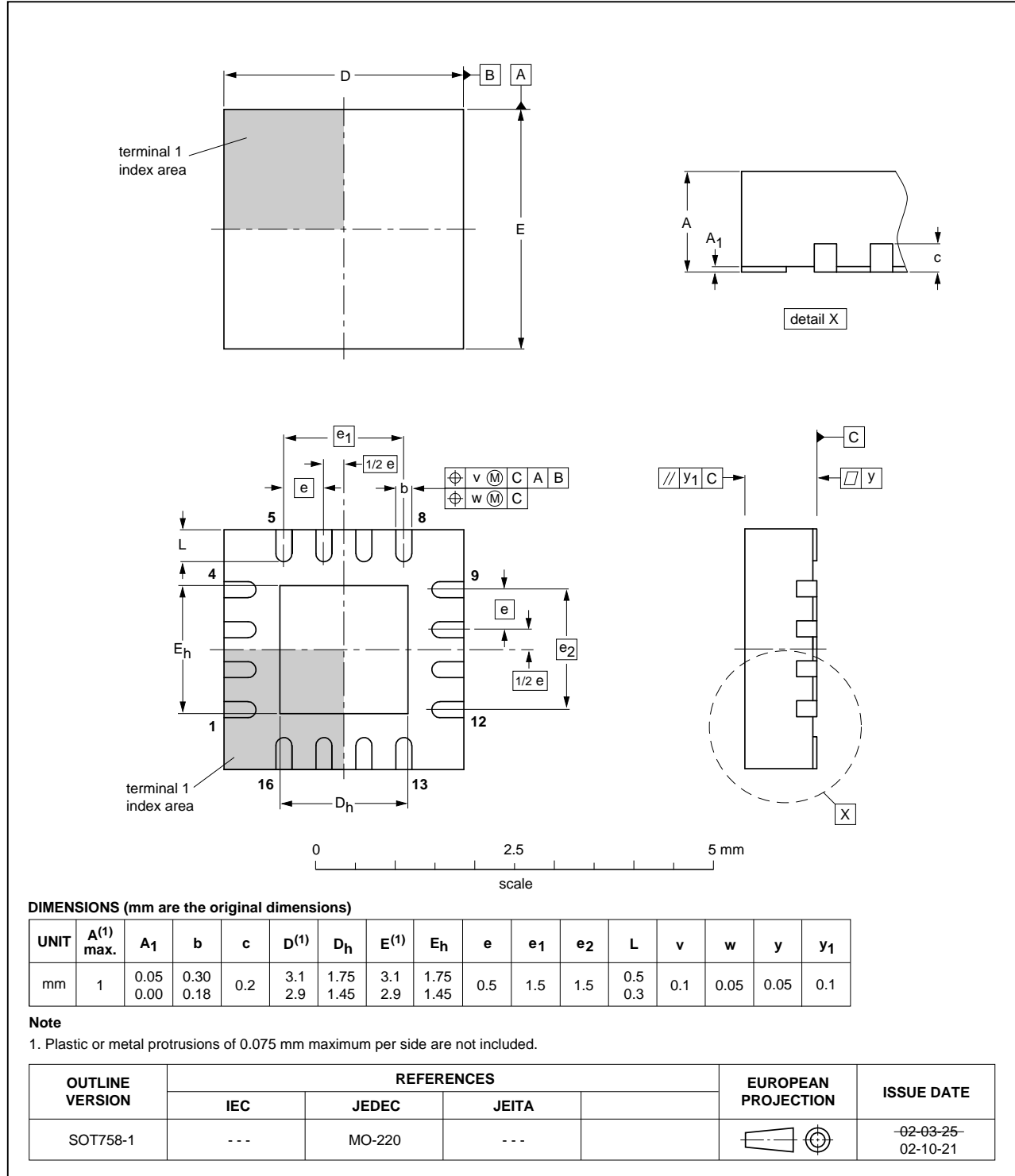


Fig 22. Package outline SOT758-1 (HVQFN16)

## 12. Handling information

---

All input and output pins are protected against ElectroStatic Discharge (ESD) under normal handling. When handling ensure that the appropriate precautions are taken as described in *JESD625-A* or equivalent standards.

## 13. Soldering of SMD packages

---

This text provides a very brief insight into a complex technology. A more in-depth account of soldering ICs can be found in Application Note *AN10365 "Surface mount reflow soldering description"*.

### 13.1 Introduction to soldering

Soldering is one of the most common methods through which packages are attached to Printed Circuit Boards (PCBs), to form electrical circuits. The soldered joint provides both the mechanical and the electrical connection. There is no single soldering method that is ideal for all IC packages. Wave soldering is often preferred when through-hole and Surface Mount Devices (SMDs) are mixed on one printed wiring board; however, it is not suitable for fine pitch SMDs. Reflow soldering is ideal for the small pitches and high densities that come with increased miniaturization.

### 13.2 Wave and reflow soldering

Wave soldering is a joining technology in which the joints are made by solder coming from a standing wave of liquid solder. The wave soldering process is suitable for the following:

- Through-hole components
- Leaded or leadless SMDs, which are glued to the surface of the printed circuit board

Not all SMDs can be wave soldered. Packages with solder balls, and some leadless packages which have solder lands underneath the body, cannot be wave soldered. Also, leaded SMDs with leads having a pitch smaller than ~0.6 mm cannot be wave soldered, due to an increased probability of bridging.

The reflow soldering process involves applying solder paste to a board, followed by component placement and exposure to a temperature profile. Leaded packages, packages with solder balls, and leadless packages are all reflow solderable.

Key characteristics in both wave and reflow soldering are:

- Board specifications, including the board finish, solder masks and vias
- Package footprints, including solder thieves and orientation
- The moisture sensitivity level of the packages
- Package placement
- Inspection and repair
- Lead-free soldering versus SnPb soldering

### 13.3 Wave soldering

Key characteristics in wave soldering are:

- Process issues, such as application of adhesive and flux, clinching of leads, board transport, the solder wave parameters, and the time during which components are exposed to the wave
- Solder bath specifications, including temperature and impurities

### 13.4 Reflow soldering

Key characteristics in reflow soldering are:

- Lead-free versus SnPb soldering; note that a lead-free reflow process usually leads to higher minimum peak temperatures (see [Figure 23](#)) than a SnPb process, thus reducing the process window
- Solder paste printing issues including smearing, release, and adjusting the process window for a mix of large and small components on one board
- Reflow temperature profile; this profile includes preheat, reflow (in which the board is heated to the peak temperature) and cooling down. It is imperative that the peak temperature is high enough for the solder to make reliable solder joints (a solder paste characteristic). In addition, the peak temperature must be low enough that the packages and/or boards are not damaged. The peak temperature of the package depends on package thickness and volume and is classified in accordance with [Table 12](#) and [13](#)

**Table 12. SnPb eutectic process (from J-STD-020C)**

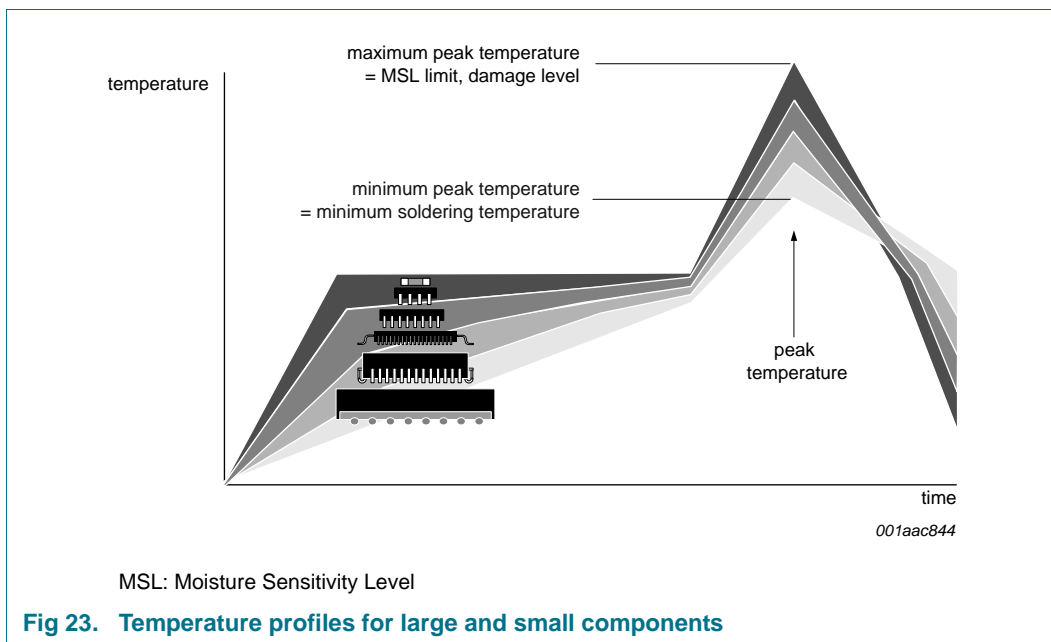
Package thickness (mm)	Package reflow temperature (°C)	
	Volume (mm <sup>3</sup> )	
	< 350	≥ 350
< 2.5	235	220
≥ 2.5	220	220

**Table 13. Lead-free process (from J-STD-020C)**

Package thickness (mm)	Package reflow temperature (°C)		
	Volume (mm <sup>3</sup> )		
	< 350	350 to 2000	> 2000
< 1.6	260	260	260
1.6 to 2.5	260	250	245
> 2.5	250	245	245

Moisture sensitivity precautions, as indicated on the packing, must be respected at all times.

Studies have shown that small packages reach higher temperatures during reflow soldering, see [Figure 23](#).



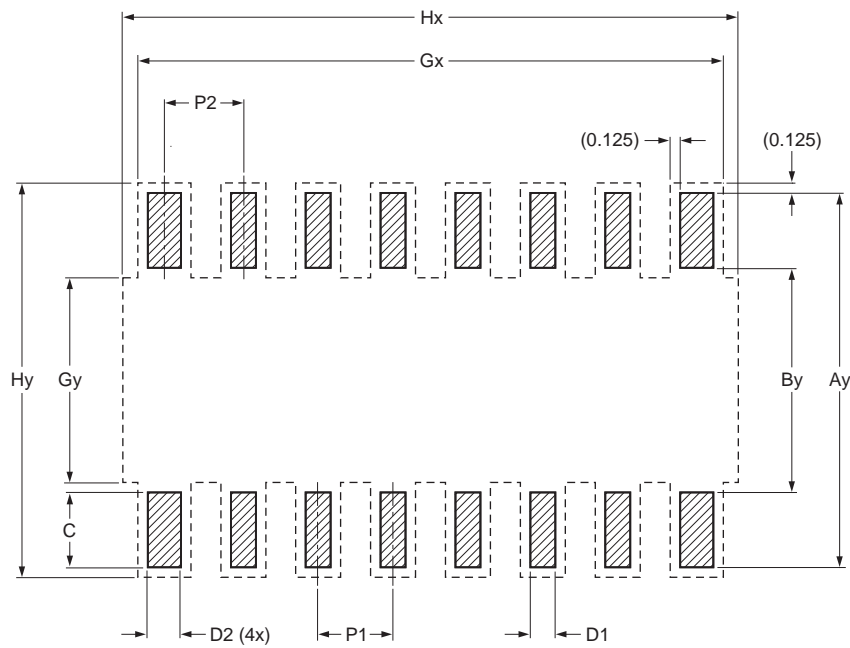
For further information on temperature profiles, refer to Application Note AN10365 “Surface mount reflow soldering description”.




### 14. Soldering: PCB footprints

Footprint information for reflow soldering of SO16 package

SOT162-1



Generic footprint pattern  
Refer to the package outline drawing for actual layout

 solder land  
 - - - - occupied area

DIMENSIONS in mm

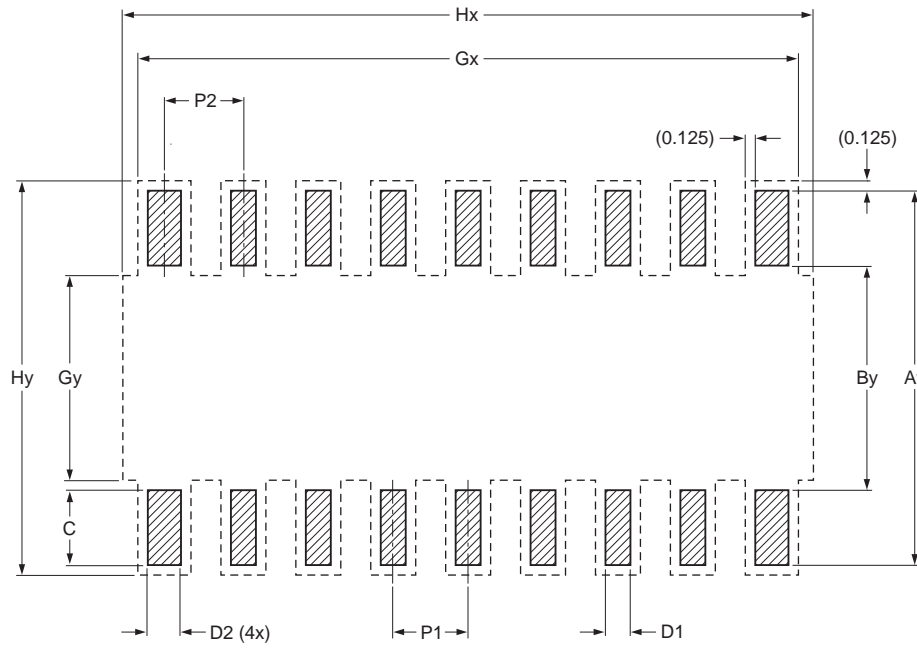
P1	P2	Ay	By	C	D1	D2	Gx	Gy	Hx	Hy
1.270	1.320	11.200	6.400	2.400	0.700	0.800	10.040	8.600	11.900	11.450

sot162-1\_fr

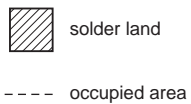
Fig 24. PCB footprint for SOT162-1 (SO16); reflow soldering

Footprint information for reflow soldering of SSOP16 package

SOT338-1



Generic footprint pattern  
Refer to the package outline drawing for actual layout



DIMENSIONS in mm

P1	P2	Ay	By	C	D1	D2	Gx	Gy	Hx	Hy
0.65	0.75	8.6	5.4	1.6	0.4	0.6	5.6	6.1	7.0	8.85

Issue date ~~09-02-22~~  
15-03-26

sot338-1\_fr

Fig 25. PCB footprint for SOT338-1 (HVQFN16); reflow soldering

Footprint information for reflow soldering of SSOP20 package

SOT266-1

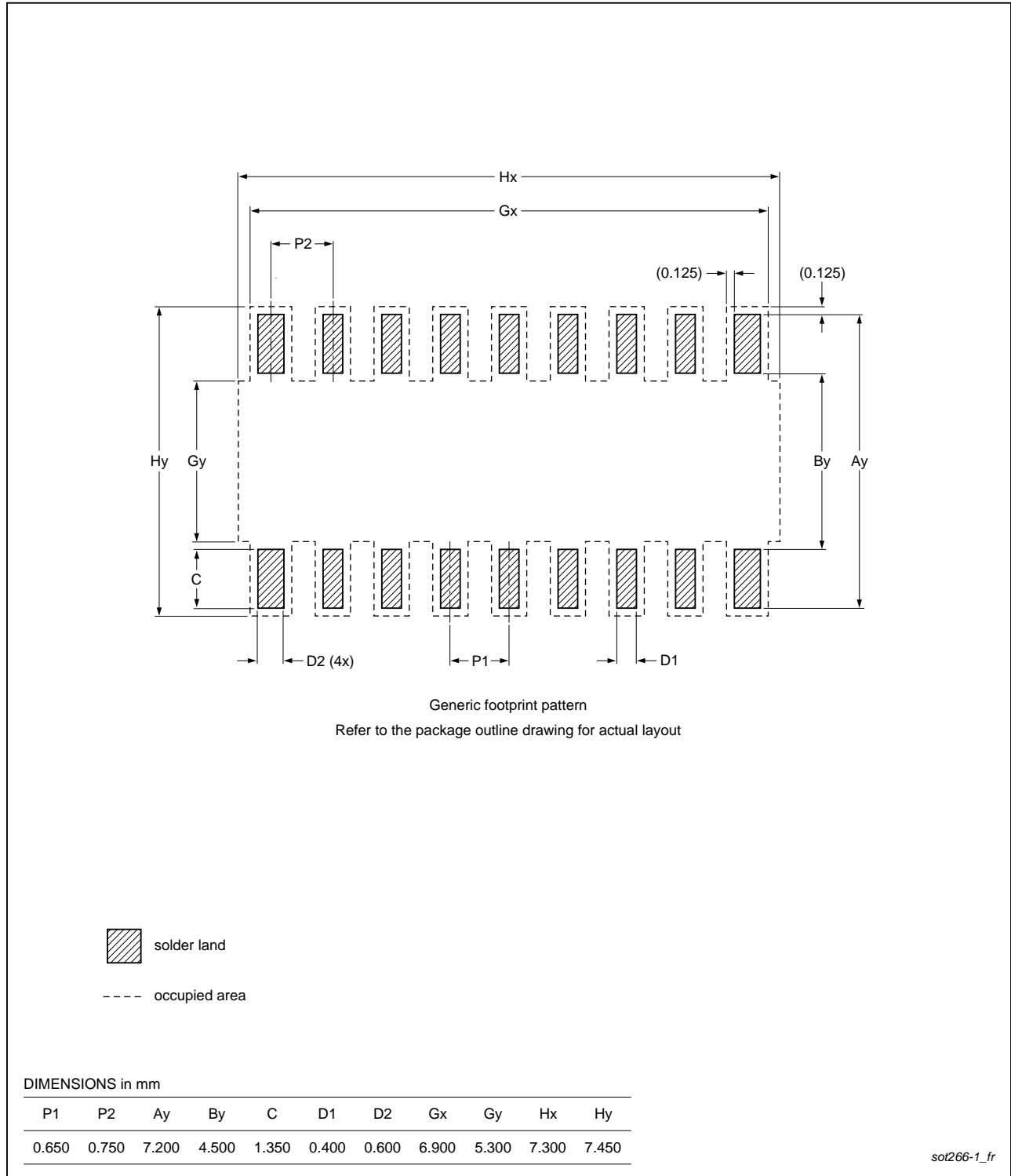


Fig 26. PCB footprint for SOT266-1 (SSOP20); reflow soldering

Footprint information for reflow soldering of TSSOP16 package

SOT403-1

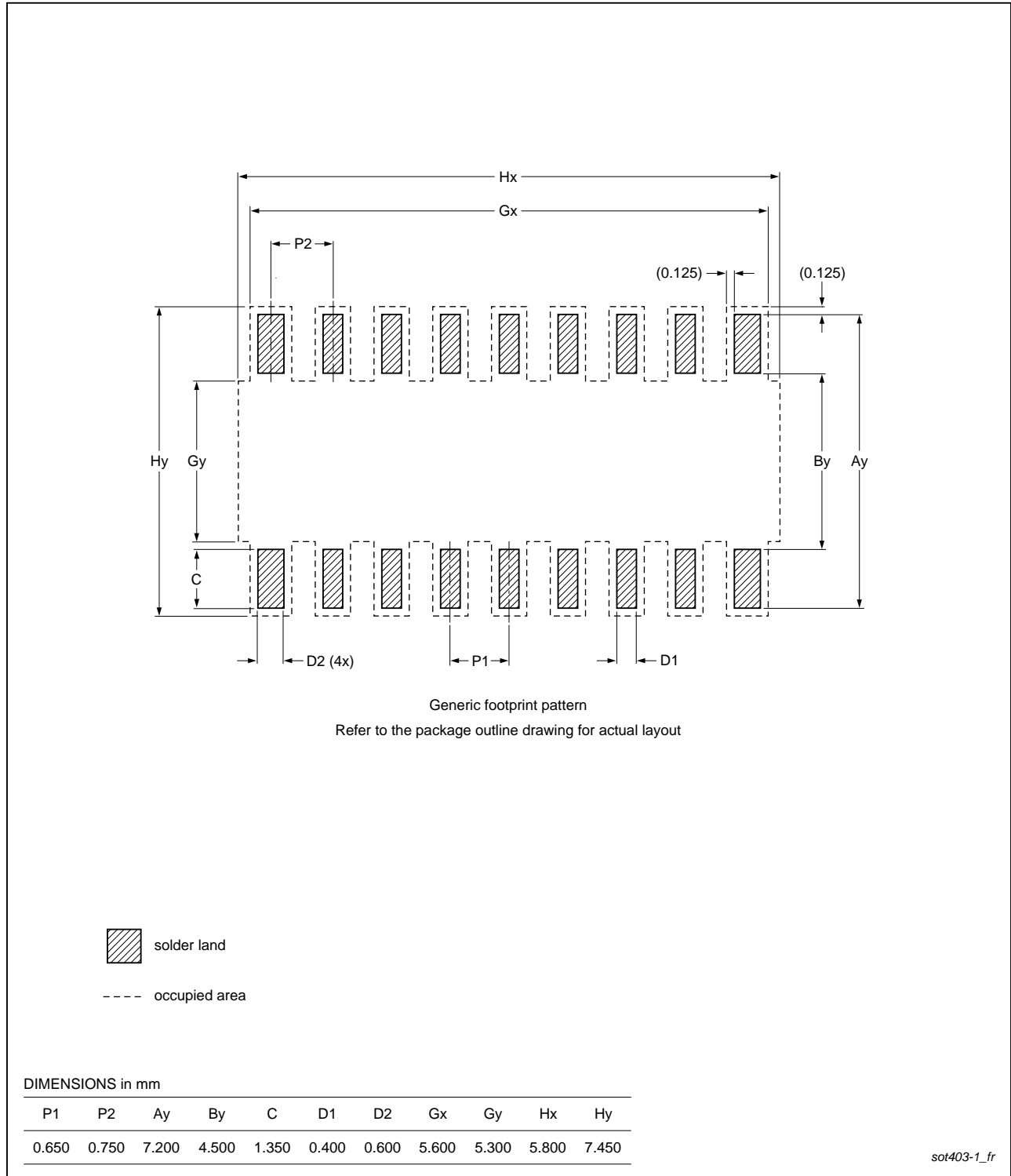


Fig 27. PCB footprint for SOT403-1 (TSSOP16); reflow soldering

Footprint information for reflow soldering of HVQFN16 package

SOT629-1

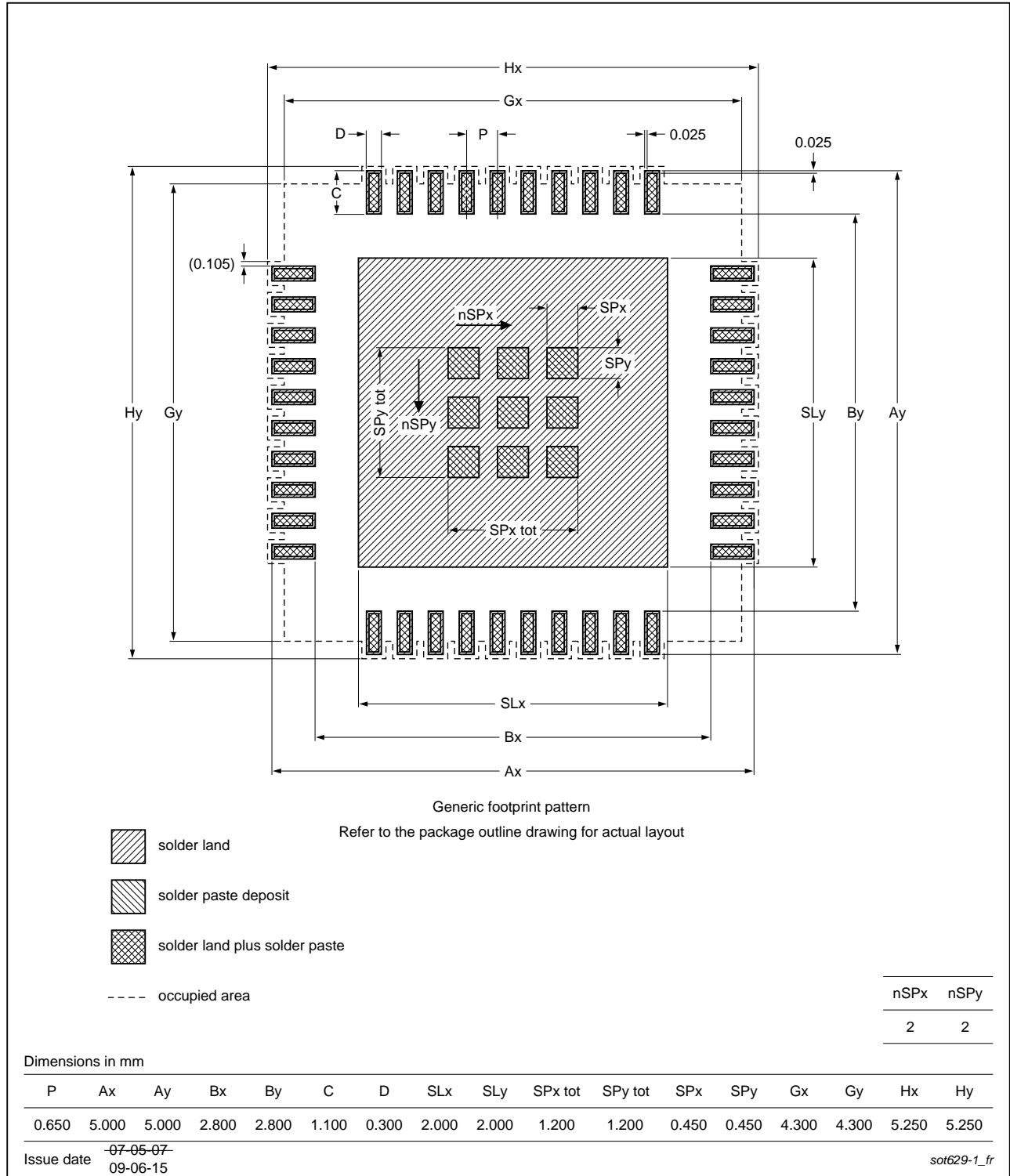


Fig 28. PCB footprint for SOT629-1 (HVQFN16); reflow soldering

Footprint information for reflow soldering of HVQFN16 package

SOT758-1

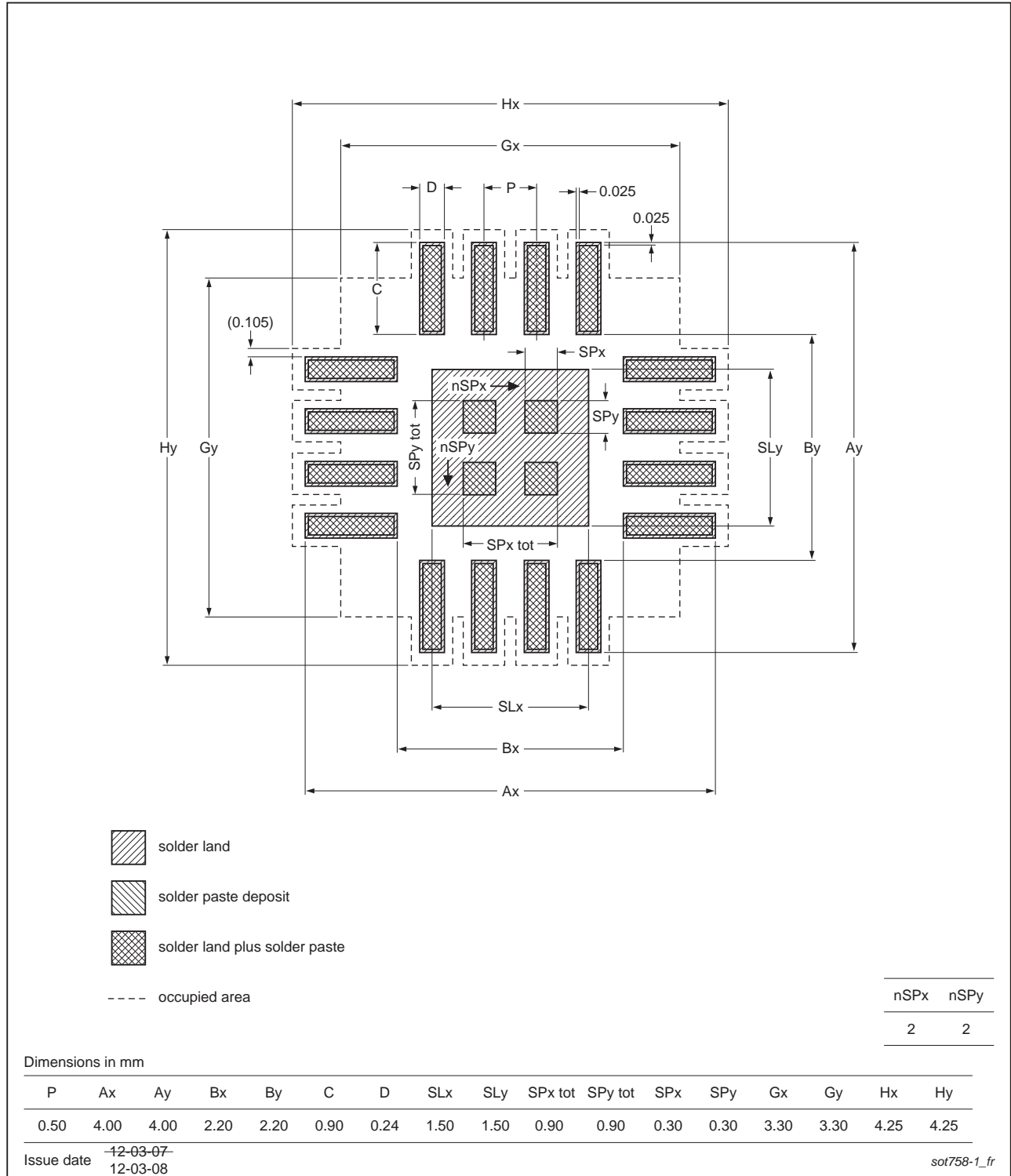


Fig 29. PCB footprint for SOT758-1 (HVQFN16); reflow soldering

## 15. Abbreviations

Table 14. Abbreviations

Acronym	Description
ACPI	Advanced Configuration and Power Interface
CDM	Charged Device Model
CMOS	Complementary Metal-Oxide Semiconductor
ESD	ElectroStatic Discharge
FET	Field-Effect Transistor
GPIO	General Purpose Input/Output
HBM	Human Body Model
I <sup>2</sup> C-bus	Inter-Integrated Circuit bus
I/O	Input/Output
LED	Light-Emitting Diode
MM	Machine Model
PCB	Printed-Circuit Board
POR	Power-On Reset
SMBus	System Management Bus

## 16. Revision history

Table 15. Revision history

Document ID	Release date	Data sheet status	Change notice	Supersedes
PCA9554_9554A v.10	20171108	Product data sheet	-	PCA9554_9554A v.9
Modifications:	<ul style="list-style-type: none"> <li>• <a href="#">Table 10 "Static characteristics"</a>: Corrected <math>V_{POR}</math> typ and max limit</li> </ul>			
PCA9554_9554A v.9	20130319	Product data sheet	-	PCA9554_9554A v.8
Modifications:	<ul style="list-style-type: none"> <li>• Removed DIP16 package option (type numbers PCA9554N and PCA9554AN)</li> <li>• Added <a href="#">Section 3.1 "Ordering options"</a></li> <li>• Deleted (old) Figure 2, "Pin configuration for DIP16"</li> <li>• <a href="#">Figure 10 "PCA9554A device address"</a> modified: label corrected from "programmable" to "hardware selectable"</li> <li>• <a href="#">Figure 16 "Definition of timing"</a> modified: added <math>0.7 \times V_{DD}</math> and <math>0.3 \times V_{DD}</math> reference lines</li> <li>• Deleted (old) Figure 18, "Package outline SOT38-4 (DIP16)"</li> <li>• Deleted (old) Section 14, "Soldering of through-hole mount packages"</li> <li>• Added <a href="#">Section 14 "Soldering: PCB footprints"</a></li> </ul>			
PCA9554_9554A v.8	20110726	Product data sheet	-	PCA9554_9554A v.7
PCA9554_9554A v.7	20061113	Product data sheet	-	PCA9554_9554A v.6
PCA9554_9554A v.6 (9397 750 13289)	20040930	Product data	-	PCA9554_9554A v.5
PCA9554_9554A v.5 (9397 750 10163)	20020726	Product data	853-2243 28672 of 26 July 2002	PCA9554_9554A v.4
PCA9554_9554A v.4 (9397 750 09817)	20020513	Product specification	-	PCA9554_9554A v.3
PCA9554_9554A v.3 (9397 750 08342)	20010507	Product specification	-	PCA9554_9554A v.2
PCA9554_9554A v.2 (9397 750 08209)	20010319	Product specification	-	PCA9554_9554A v.1
PCA9554_9554A v.1 (9397 750 08159)	20010319	Product specification	-	-



## 17. Legal information

### 17.1 Data sheet status

Document status <sup>[1][2]</sup>	Product status <sup>[3]</sup>	Definition
Objective [short] data sheet	Development	This document contains data from the objective specification for product development.
Preliminary [short] data sheet	Qualification	This document contains data from the preliminary specification.
Product [short] data sheet	Production	This document contains the product specification.

[1] Please consult the most recently issued document before initiating or completing a design.

[2] The term 'short data sheet' is explained in section "Definitions".

[3] The product status of device(s) described in this document may have changed since this document was published and may differ in case of multiple devices. The latest product status information is available on the Internet at URL <http://www.nxp.com>.

### 17.2 Definitions

**Draft** — The document is a draft version only. The content is still under internal review and subject to formal approval, which may result in modifications or additions. NXP Semiconductors does not give any representations or warranties as to the accuracy or completeness of information included herein and shall have no liability for the consequences of use of such information.

**Short data sheet** — A short data sheet is an extract from a full data sheet with the same product type number(s) and title. A short data sheet is intended for quick reference only and should not be relied upon to contain detailed and full information. For detailed and full information see the relevant full data sheet, which is available on request via the local NXP Semiconductors sales office. In case of any inconsistency or conflict with the short data sheet, the full data sheet shall prevail.

**Product specification** — The information and data provided in a Product data sheet shall define the specification of the product as agreed between NXP Semiconductors and its customer, unless NXP Semiconductors and customer have explicitly agreed otherwise in writing. In no event however, shall an agreement be valid in which the NXP Semiconductors product is deemed to offer functions and qualities beyond those described in the Product data sheet.

### 17.3 Disclaimers

**Limited warranty and liability** — Information in this document is believed to be accurate and reliable. However, NXP Semiconductors does not give any representations or warranties, expressed or implied, as to the accuracy or completeness of such information and shall have no liability for the consequences of use of such information. NXP Semiconductors takes no responsibility for the content in this document if provided by an information source outside of NXP Semiconductors.

In no event shall NXP Semiconductors be liable for any indirect, incidental, punitive, special or consequential damages (including - without limitation - lost profits, lost savings, business interruption, costs related to the removal or replacement of any products or rework charges) whether or not such damages are based on tort (including negligence), warranty, breach of contract or any other legal theory.

Notwithstanding any damages that customer might incur for any reason whatsoever, NXP Semiconductors' aggregate and cumulative liability towards customer for the products described herein shall be limited in accordance with the *Terms and conditions of commercial sale* of NXP Semiconductors.

**Right to make changes** — NXP Semiconductors reserves the right to make changes to information published in this document, including without limitation specifications and product descriptions, at any time and without notice. This document supersedes and replaces all information supplied prior to the publication hereof.

**Suitability for use** — NXP Semiconductors products are not designed, authorized or warranted to be suitable for use in life support, life-critical or safety-critical systems or equipment, nor in applications where failure or malfunction of an NXP Semiconductors product can reasonably be expected to result in personal injury, death or severe property or environmental damage. NXP Semiconductors and its suppliers accept no liability for inclusion and/or use of NXP Semiconductors products in such equipment or applications and therefore such inclusion and/or use is at the customer's own risk.

**Applications** — Applications that are described herein for any of these products are for illustrative purposes only. NXP Semiconductors makes no representation or warranty that such applications will be suitable for the specified use without further testing or modification.

Customers are responsible for the design and operation of their applications and products using NXP Semiconductors products, and NXP Semiconductors accepts no liability for any assistance with applications or customer product design. It is customer's sole responsibility to determine whether the NXP Semiconductors product is suitable and fit for the customer's applications and products planned, as well as for the planned application and use of customer's third party customer(s). Customers should provide appropriate design and operating safeguards to minimize the risks associated with their applications and products.

NXP Semiconductors does not accept any liability related to any default, damage, costs or problem which is based on any weakness or default in the customer's applications or products, or the application or use by customer's third party customer(s). Customer is responsible for doing all necessary testing for the customer's applications and products using NXP Semiconductors products in order to avoid a default of the applications and the products or of the application or use by customer's third party customer(s). NXP does not accept any liability in this respect.

**Limiting values** — Stress above one or more limiting values (as defined in the Absolute Maximum Ratings System of IEC 60134) will cause permanent damage to the device. Limiting values are stress ratings only and (proper) operation of the device at these or any other conditions above those given in the Recommended operating conditions section (if present) or the Characteristics sections of this document is not warranted. Constant or repeated exposure to limiting values will permanently and irreversibly affect the quality and reliability of the device.

**Terms and conditions of commercial sale** — NXP Semiconductors products are sold subject to the general terms and conditions of commercial sale, as published at <http://www.nxp.com/profile/terms>, unless otherwise agreed in a valid written individual agreement. In case an individual agreement is concluded only the terms and conditions of the respective agreement shall apply. NXP Semiconductors hereby expressly objects to applying the customer's general terms and conditions with regard to the purchase of NXP Semiconductors products by customer.

**No offer to sell or license** — Nothing in this document may be interpreted or construed as an offer to sell products that is open for acceptance or the grant, conveyance or implication of any license under any copyrights, patents or other industrial or intellectual property rights.

**Bare die** — All die are tested on compliance with their related technical specifications as stated in this data sheet up to the point of wafer sawing and are handled in accordance with the NXP Semiconductors storage and transportation conditions. If there are data sheet limits not guaranteed, these will be separately indicated in the data sheet. There are no post-packing tests performed on individual die or wafers.

NXP Semiconductors has no control of third party procedures in the sawing, handling, packing or assembly of the die. Accordingly, NXP Semiconductors assumes no liability for device functionality or performance of the die or systems after third party sawing, handling, packing or assembly of the die. It is the responsibility of the customer to test and qualify their application in which the die is used.

All die sales are conditioned upon and subject to the customer entering into a written die sale agreement with NXP Semiconductors through its legal department.

**Export control** — This document as well as the item(s) described herein may be subject to export control regulations. Export might require a prior authorization from competent authorities.

**Non-automotive qualified products** — Unless this data sheet expressly states that this specific NXP Semiconductors product is automotive qualified, the product is not suitable for automotive use. It is neither qualified nor tested

in accordance with automotive testing or application requirements. NXP Semiconductors accepts no liability for inclusion and/or use of non-automotive qualified products in automotive equipment or applications.

In the event that customer uses the product for design-in and use in automotive applications to automotive specifications and standards, customer (a) shall use the product without NXP Semiconductors' warranty of the product for such automotive applications, use and specifications, and (b) whenever customer uses the product for automotive applications beyond NXP Semiconductors' specifications such use shall be solely at customer's own risk, and (c) customer fully indemnifies NXP Semiconductors for any liability, damages or failed product claims resulting from customer design and use of the product for automotive applications beyond NXP Semiconductors' standard warranty and NXP Semiconductors' product specifications.

**Translations** — A non-English (translated) version of a document is for reference only. The English version shall prevail in case of any discrepancy between the translated and English versions.

## 17.4 Trademarks

Notice: All referenced brands, product names, service names and trademarks are the property of their respective owners.

**I<sup>2</sup>C-bus** — logo is a trademark of NXP B.V.

## 18. Contact information

For more information, please visit: <http://www.nxp.com>

For sales office addresses, please send an email to: [salesaddresses@nxp.com](mailto:salesaddresses@nxp.com)

## 19. Contents

<b>1</b>	<b>General description</b> .....	<b>1</b>
<b>2</b>	<b>Features and benefits</b> .....	<b>1</b>
<b>3</b>	<b>Ordering information</b> .....	<b>2</b>
3.1	Ordering options .....	2
<b>4</b>	<b>Block diagram</b> .....	<b>4</b>
<b>5</b>	<b>Pinning information</b> .....	<b>5</b>
5.1	Pinning .....	5
5.2	Pin description .....	6
<b>6</b>	<b>Functional description</b> .....	<b>6</b>
6.1	Registers .....	6
6.1.1	Command byte .....	6
6.1.2	Register 0 - Input Port register .....	7
6.1.3	Register 1 - Output Port register .....	7
6.1.4	Register 2 - Polarity Inversion register .....	8
6.1.5	Register 3 - Configuration register .....	8
6.2	Power-on reset .....	8
6.3	Interrupt output .....	9
6.4	I/O port .....	9
6.5	Device address .....	10
6.6	Bus transactions .....	10
<b>7</b>	<b>Application design-in information</b> .....	<b>12</b>
<b>8</b>	<b>Limiting values</b> .....	<b>12</b>
<b>9</b>	<b>Static characteristics</b> .....	<b>13</b>
<b>10</b>	<b>Dynamic characteristics</b> .....	<b>14</b>
<b>11</b>	<b>Package outline</b> .....	<b>16</b>
<b>12</b>	<b>Handling information</b> .....	<b>22</b>
<b>13</b>	<b>Soldering of SMD packages</b> .....	<b>22</b>
13.1	Introduction to soldering .....	22
13.2	Wave and reflow soldering .....	22
13.3	Wave soldering .....	22
13.4	Reflow soldering .....	23
<b>14</b>	<b>Soldering: PCB footprints</b> .....	<b>25</b>
<b>15</b>	<b>Abbreviations</b> .....	<b>31</b>
<b>16</b>	<b>Revision history</b> .....	<b>32</b>
<b>17</b>	<b>Legal information</b> .....	<b>33</b>
17.1	Data sheet status .....	33
17.2	Definitions .....	33
17.3	Disclaimers .....	33
17.4	Trademarks .....	34
<b>18</b>	<b>Contact information</b> .....	<b>34</b>
<b>19</b>	<b>Contents</b> .....	<b>35</b>

Please be aware that important notices concerning this document and the product(s) described herein, have been included in section 'Legal information'.

© NXP Semiconductors N.V. 2017.

All rights reserved.

For more information, please visit: <http://www.nxp.com>

For sales office addresses, please send an email to: [salesaddresses@nxp.com](mailto:salesaddresses@nxp.com)

Date of release: 8 November 2017

Document identifier: PCA9554\_9554A