

A

B

C

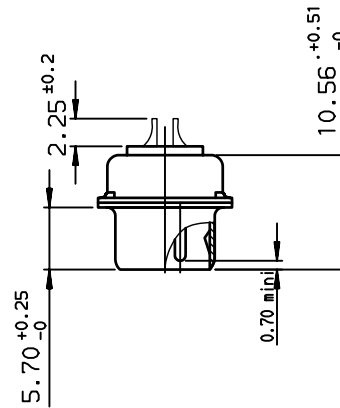
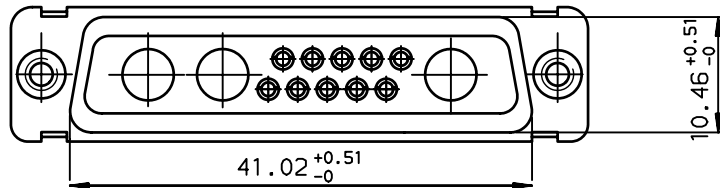
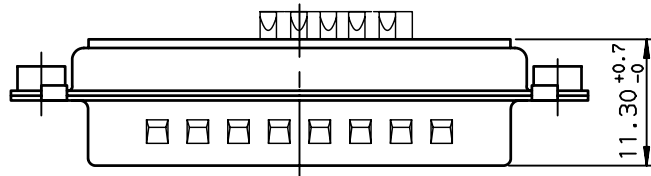
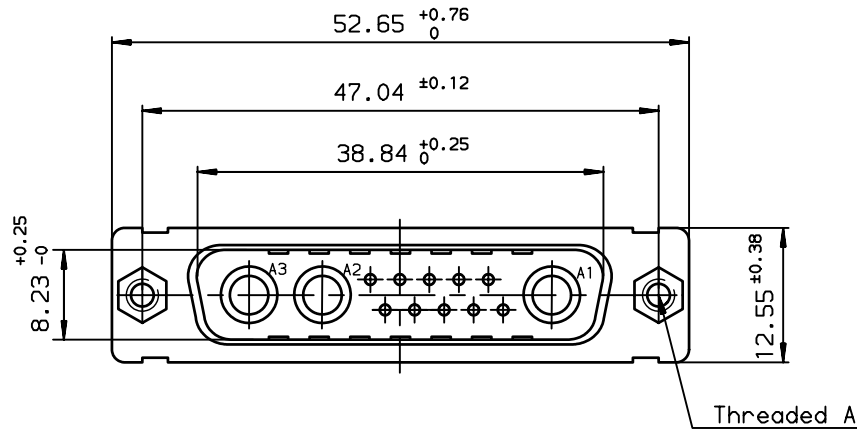
D

A

B

C

D



TIN LEAD PART NUMBER

|             |            |
|-------------|------------|
| DBL13W3PA00 | UNC 4.40   |
| DB013W3PA00 | M3         |
| PART NUMBER | Threaded A |

LEAD FREE PART NUMBER

|               |            |
|---------------|------------|
| DBL13W3PA00LF | UNC 4.40   |
| DB013W3PA00LF | M3         |
| PART NUMBER   | Threaded A |

GENERAL CHARACTERISTICS AND ROHS INFORMATIONS:  
SEE DRAWING C01-8639-0003

European Views

|                    |        |  |                                   |                                 |
|--------------------|--------|--|-----------------------------------|---------------------------------|
| www.fciconnect.com |        | surface<br>ISO 1302 ✓                      | tolerance std<br>ISO 406 ISO 1101 | projection<br>mm                |
|                    |        | TOLERANCES UNLESS OTHERWISE SPECIFIED      |                                   | mm                              |
| Dr                 | JARRY  | 2001/01/23                                 | 0.X ±0.1                          | size A3                         |
| Eng                | PESSON | 2001/01/23                                 | 0.XX ±0.1                         | Scale 2                         |
| Chr                | LEGARE | 2001/01/23                                 | 0.XX ±2*                          | ECN L506-0095                   |
| Appr               | LEGARE | 2001/01/23                                 | 0.XXX ±0.1                        | Product family D-SUB Spec ref - |
| FCI title          |        | PIN CONNECTOR MARK 1 FOR POWERS CONTACTS . |                                   | dwg no C01-8639-1831            |
| catalog no         |        | -  |                                   | Rev. D                          |

| rev | ecn no    | dr  | date       |
|-----|-----------|-----|------------|
| B   | -         | DEB | 2003/10/01 |
| C   | L505-005  | MPE | 2005/03/14 |
| D   | L506-0095 | LGO | 2006/06/28 |
| -   | -         | -   | -          |
| -   | -         | -   | -          |
| -   | -         | -   | -          |



Copyright FCI.