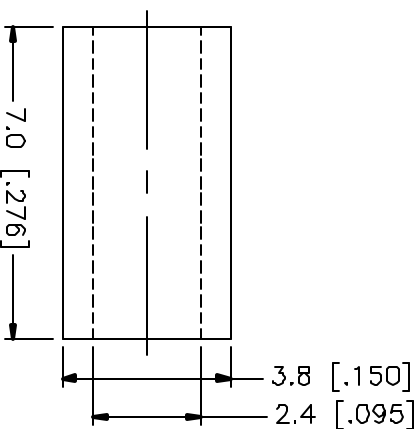
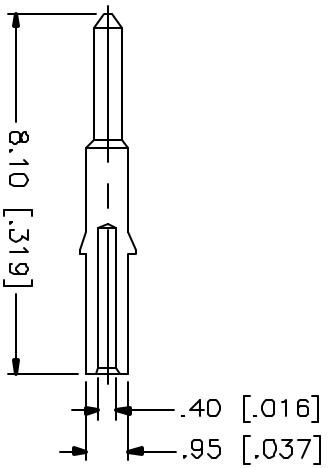
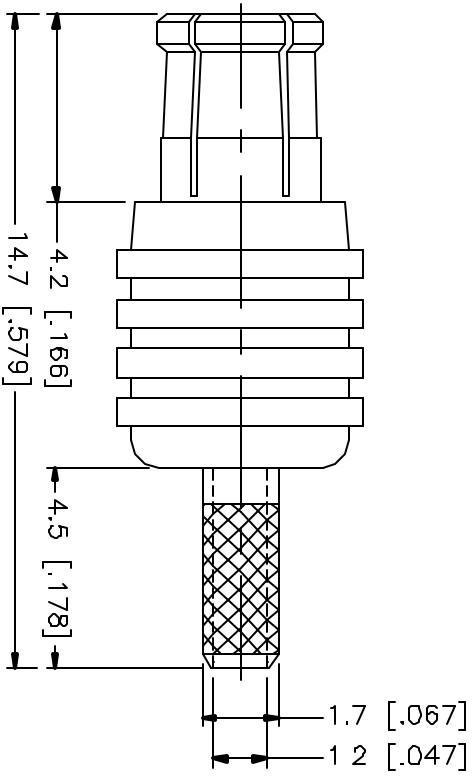
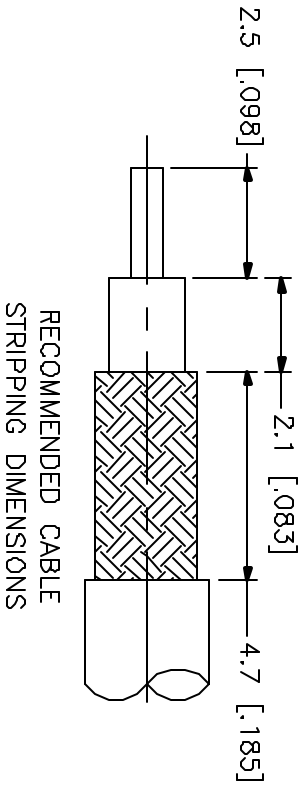
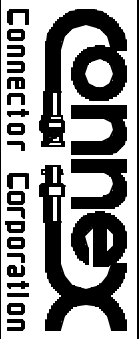


REV.	DATE	DESCRIPTION
A	01/12/02	MODIFY FERRULE LENGTH



DESCRIPTION	MATERIAL	FINISH	UNLESS OTHERWISE SPECIFIED DIMENSIONS ARE IN MILLIMETERS FOR CUSTOMER REFERENCE ONLY	APPROVALS	DATE	TITLE	SCALE	PART NO.	SHEET	REV.
1 HOUSING	BRASS	NICKEL	UNLESS OTHERWISE SPECIFIED DIMENSIONS ARE IN MILLIMETERS FOR CUSTOMER REFERENCE ONLY UNLESS OTHERWISE SPECIFIED DIMENSIONS FOR MILLIMETERS ARE: 0.5-6 = ± 0.2 6-30 = ± 0.4 30-120 = ± 0.6 120-315 = ± 1 315-1000 = ± 1.6 1000-2000 = ± 2.4	DRAWN	01/12/02	MCX STRAIGHT CRIMP PLUG (FDR 178/μ, 196/μ CABLE)	A	99001	252126	A
2 BODY	BER. COPPER	NICKEL		CHECKED						
3 INSULATOR	TEFLON	NATURAL		ISSUED						
4 INSULATOR	TEFLON	NATURAL								
5 CONTACT PIN	BRASS	GOLD 35 μM								
6 FERRULE	COPPER	NICKEL								
7										
8				DO NOT SCALE DRAWING						



MCX STRAIGHT CRIMP PLUG
(FDR 178/μ, 196/μ CABLE)