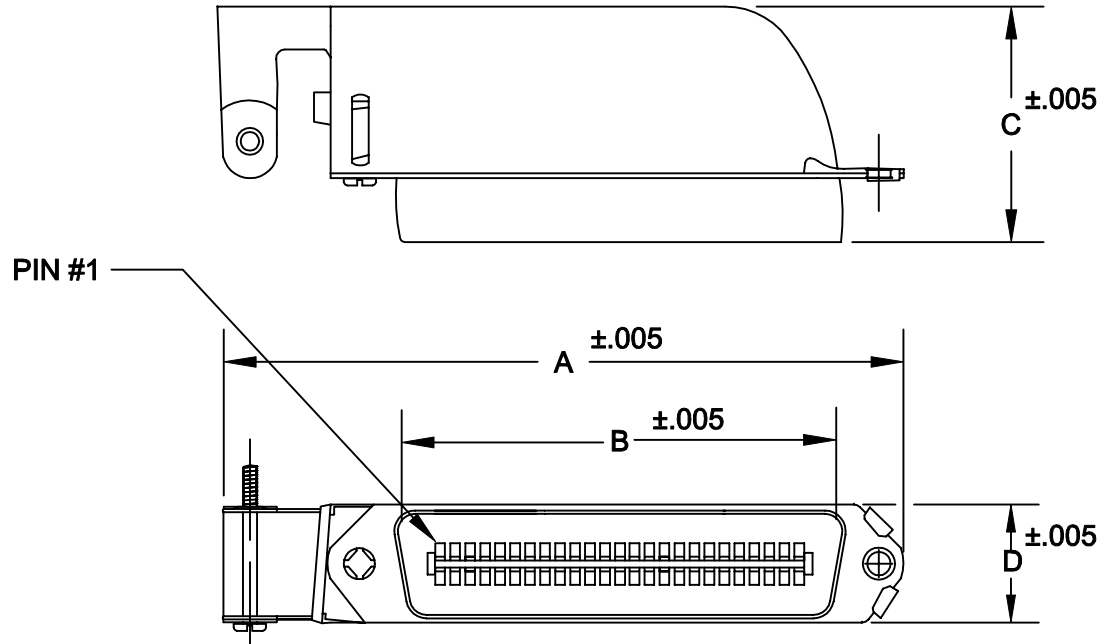


DESCRIPTION: SCSI 1 MALE RIGHT ANGLE CONNECTOR/BACKSHELL KIT

A B C D

|    |              |       |       |       |
|----|--------------|-------|-------|-------|
| 36 | DISCONTINUED |       |       |       |
| 50 | 3.780        | 2.538 | 1.325 | .646  |
|    | 96.00        | 64.47 | 33.65 | 16.40 |



**KIT INCLUDES:**  
**SOLDER CUP CONNECTOR**  
**BACKSHELL/HARDWARE**

112-XXX-103-011

SERIES \_\_\_\_\_  
POSITIONS \_\_\_\_\_  
050 \_\_\_\_\_  
GENDER \_\_\_\_\_  
1 = MALE \_\_\_\_\_  
TERMINATION \_\_\_\_\_  
0 = SOLDER CUP \_\_\_\_\_  
SHELL PLATING \_\_\_\_\_  
3 = NICKEL \_\_\_\_\_  
HARDWARE OPTIONS \_\_\_\_\_  
01 = PIN #1 AT CABLE ENTRY \_\_\_\_\_  
PLATING OPTIONS \_\_\_\_\_  
01 = GOLD FLASH \_\_\_\_\_

**MATERIALS:**

INSULATOR: GLASS-FILLED THERMOPLASTIC  
UL RATED 94V-0

CONTACTS: COPPER ALLOY


SHELL: STEEL, NICKEL PLATED

CONTACT PLATING:  
GOLD PLATED

**ELECTRICALS:**

CONTACT CURRENT RATING: 5 AMPS  
DIELECTRIC WITHSTANDING VOLTAGE: AC 1200 R.M.S.  
INSULATION RESISTANCE: 1000 mohms MINIMUM AT 500V DC  
CONTACT RESISTANCE: 30 mOHMS MAXIMUM  
OPERATING TEMPERATURE: -55°C TO +125°C

**NOTE: PLEASE NOTE ORIENTATION OF CONNECTOR IN REGARDS TO CABLE ENTRY.**

|   |   |                         |                                  |                         |
|---|---|-------------------------|----------------------------------|-------------------------|
|  | THESE DRAWINGS AND SPECIFICATIONS ARE THE PROPERTY OF NorComp AND SHALL NOT BE REPRODUCED, COPIED OR USED AS THE BASIS FOR THE MANUFACTURE OF SALE OF APPARATUS WITHOUT WRITTEN PERMISSION. |                         | DRAWN:<br><b>WAYNE ROBBINS</b>   | DATE:<br><b>9-25-98</b> |
|   |   |                         |                                  | CHECKED:                |
| <h1>NorComp</h1>  |   | SCALE:<br>1:1           | SHEET<br><b>1</b> OF<br><b>1</b> | REV<br><b>3</b>         |
|   |   | DWG NO. 112-XXX-103-011 |                                  |                         |