

3-Phase Switched Rackmount PDUs

MODEL: PDU3VSR10G30 PDU3VSR10G60 PDU3VSR10H50 PDU3VSR10L1520 PDU3VSR10L1530 PDU3VSR10L2120 PDU3VSR10L2130



INPUT PLUG: Blue IEC 309 30A 3P+N+E

Blue IEC 309 60A 3P+N+E

Hubbell CS8365C

L15-30P

L21-30P

L21-20P

L15-20P



3-Phase Input



High Voltage Output



24 Outlets



12.5kW Load Capacity



Multimode Load Meter



Network Interface

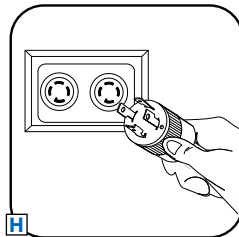


0U Rackmount



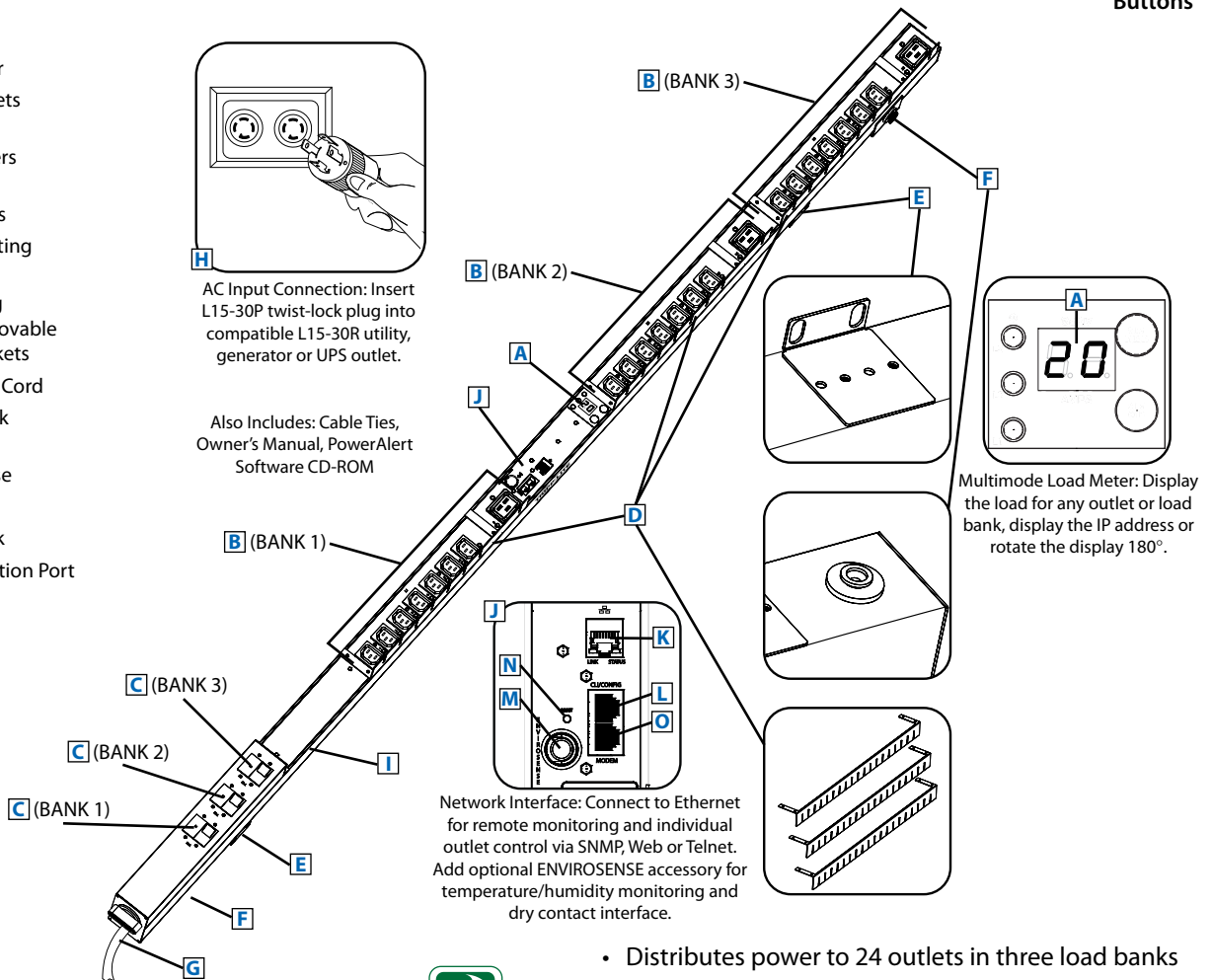
Toolless Mounting Buttons

- A** Digital Load Meter
- B** C13 and C19 Outlets with On/Off LEDs
- C** 20A Circuit Breakers
- D** Removable Cord Retention Brackets
- E** Removable Mounting Brackets
- F** Toolless Mounting Buttons with Removable 90° Rotation Brackets
- G** 10 ft. Input Power Cord
- H** L15-30P Twist-Lock Input Plug
- I** Durable Metal Case
- J** Network Interface
- K** RJ45 Ethernet Jack
- L** Manual Configuration Port
- M** Environmental Monitoring Port
- N** Network Interface Reset Button
- O** Modem Port



AC Input Connection: Insert L15-30P twist-lock plug into compatible L15-30R utility, generator or UPS outlet.

Also Includes: Cable Ties, Owner's Manual, PowerAlert Software CD-ROM



Multimode Load Meter: Display the load for any outlet or load bank, display the IP address or rotate the display 180°.

Network Interface: Connect to Ethernet for remote monitoring and individual outlet control via SNMP, Web or Telnet. Add optional ENVIROSENSE accessory for temperature/humidity monitoring and dry contact interface.

- Distributes power to 24 outlets in three load banks
- Remote monitoring and control via SNMP, Web or Telnet
- Displays load for any outlet or outlet bank in real time
- Perfect for rackmount server, network and telecom applications

SEE NEXT PAGE FOR DETAILED UNIT MEASUREMENTS



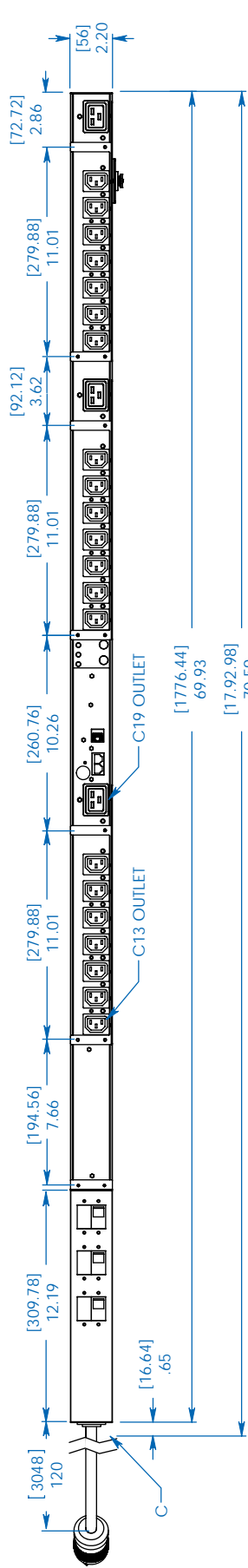
1111 W. 35th Street
Chicago, IL 60609 USA
773.869.1234
www.tripplite.com

Specifications

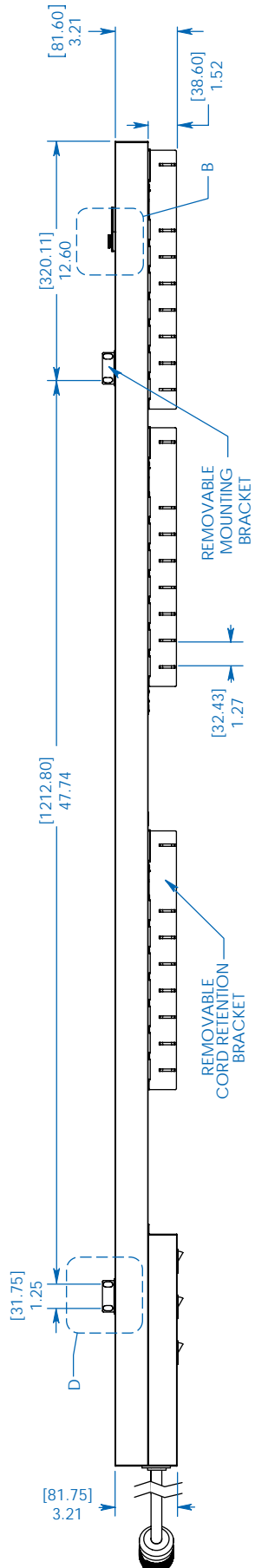
Model	PDU3VSR10L1530
Voltage	200-250V (3-Phase Input/Single-Phase Output)
Frequency	60Hz
Load Capacity	12.5kW
Input Plug	L15-30P
Input Cord Length	10 ft.
Outlets	24 (21 C13 / 3 C19)
Primary Mounting Option	0U (Vertical) Rackmount
Unit Weight & Dimensions	11.5 lb / 3.25 x 70 x 2.25 in. <i>See next page for detailed unit measurements.</i>
Certifications	Tested to UL 60950-1 (US & Canada), NOM (Mexico), FCC Class A

Tripp Lite has a policy of continuous improvement. Specifications are subject to change without notice.

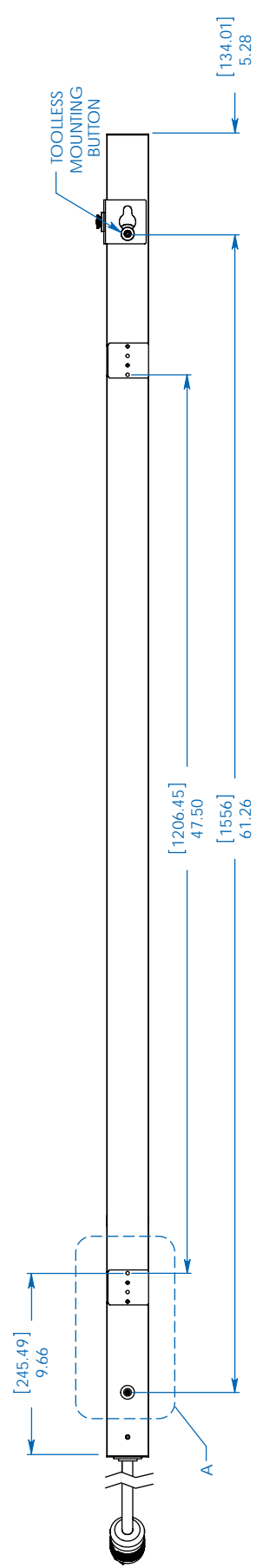




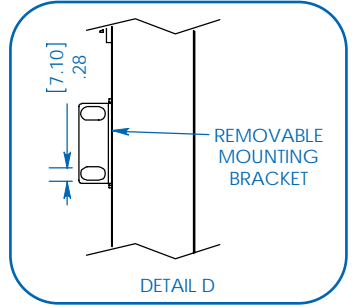
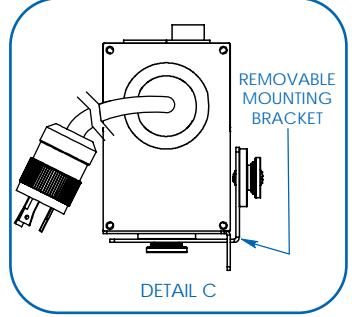
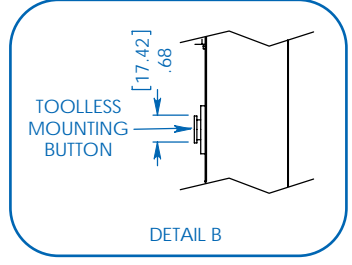
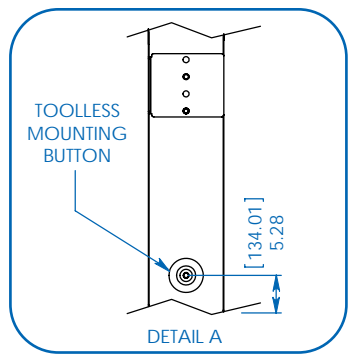
FRONT VIEW



SIDE VIEW



REAR VIEW



Dimensions: [mm] INCHES

Tripp Lite has a policy of continuous improvement. Specifications are subject to change without notice.

3-Phase Switched Rackmount PDUs



1111 W. 35th Street
Chicago, IL 60609 USA
773.869.1234
www.tripplite.com