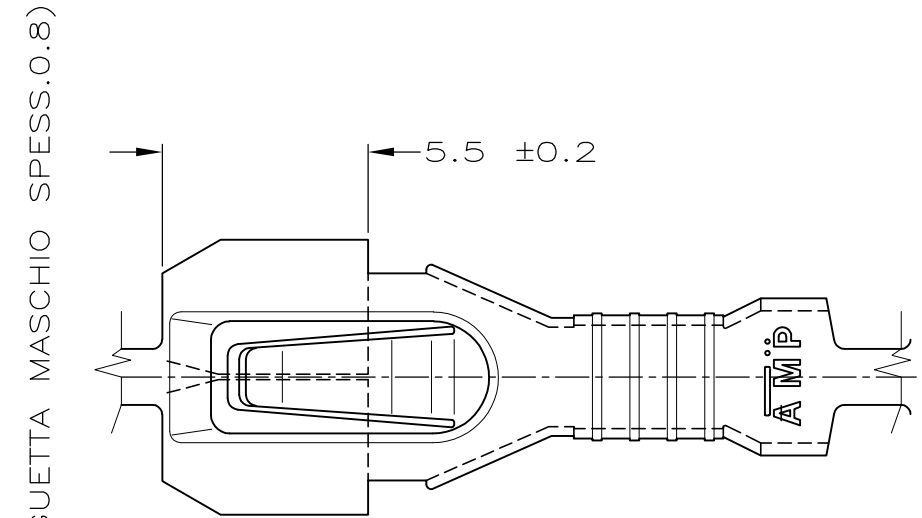
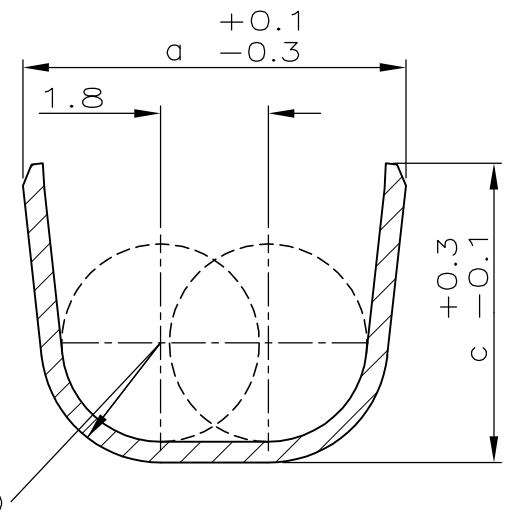


LOC		DIST		REVISIONS			
P	LTR	DESCRIPTION		DATE	DWN	APVD	
A1		REVISED PER ECO-11-005139		21MAR11	RK	HMR	



SEZIONE B-B
(P/N 282309-1)
SCALA 8:1



NOTE:

1) STATO DI FORNITURA: TERMINALI IN NASTRO AVVOLTO SU BOBINA DI CARTONE (BOBINA ØEST. 260x160 LARG.)

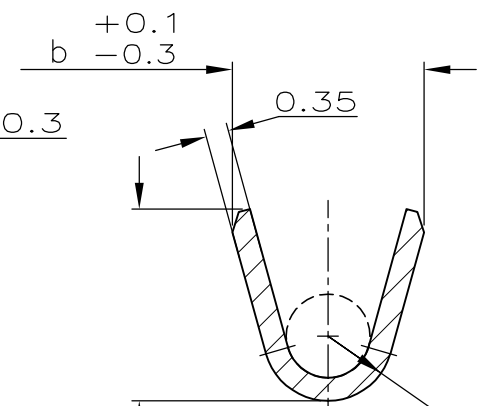
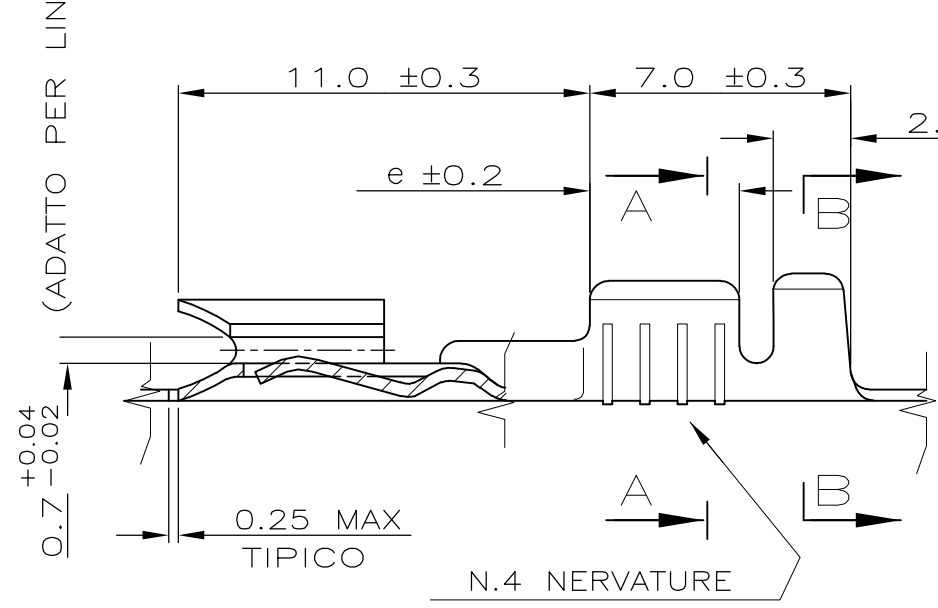
2) SENSO DI USCITA DELLA BOBINA

3)

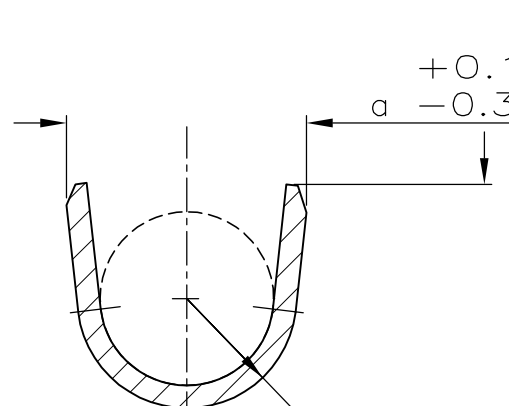
(WIRE) SEZ.FILO mm ²	(INS.DIA.REDUCED) Ø IS.RID.FASE 3
0.50	1.5-1.7
0.75	1.7-1.9
1.0	1.9-2.1
1.5	2.2-2.4

4)

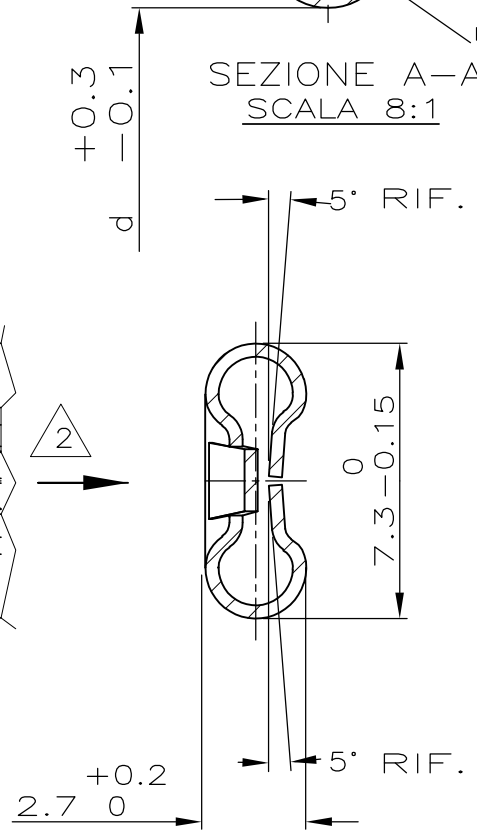
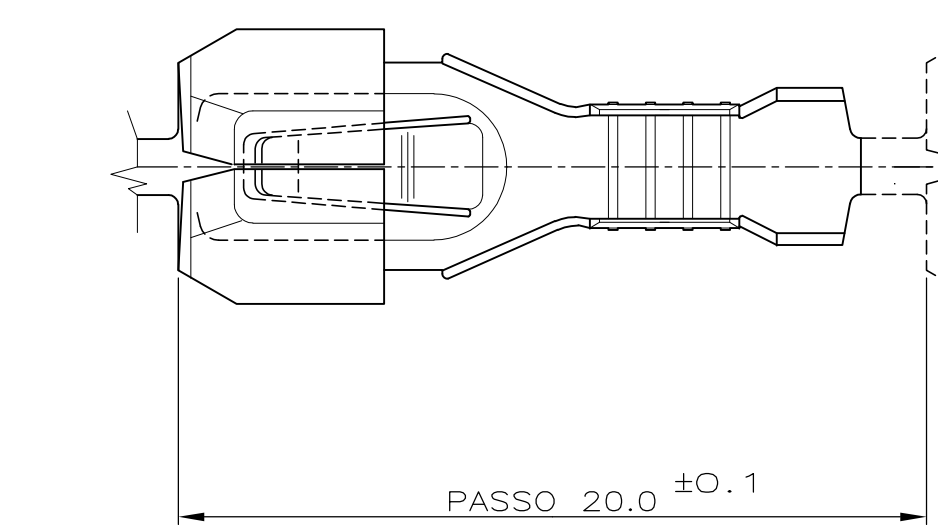
(WIRE) SEZ.FILO mm ²	(INS.DIA.STD) Ø ISOL.STD	(INS.DIA.REDUCED) Ø IS.RID.FASE 3
0.50	2.0-2.2	---
0.75	---	---
1.0	2.4-2.6	1.9-2.1
1.5	3.15-3.35	---



SEZIONE A-A
SCALA 8:1



SEZIONE B-B
(P/N 282308-1)
(P/N 282310-1)
SCALA 8:1



SEZIONE C-C

4.0	3.2	3.4	3.2	4	0.6	1.5			0.5-1.5 (is.rid.3)	282310-1
6.4	5.2	5.5	4	3.5	1.1	1.6	PRE-STAGNATO	BRONZO FOSFOROSO	1.0-1.0 (is.std.)	282309-1
4.2	3.2	4.4	3.2	4	0.6	1.5			0.5-1.5 (is.std.)	282308-1
a	b	c	d	e	r(1)	r(2)	FINITURA / COLORE (FINISH / COLOUR)	MATERIALE (MATERIAL)	SEZ.CAVO WIRE RANGE mm ²	NUMERO (PART NUMBER)

PRODUCT RESTRICTED TO FIAT S.P.A. AND FIAT SUBSIDIARIES HARNESS MAKERS

DISEGNO PER CLIENTE SOLO PER RIFERIMENTO. CUSTOMER DWG. FOR REFERENCE ONLY.

DIAM. ISOLANTE (INS. DIA. RANGE) VEDERE TABELLA. RANGO FILO (WIRE RANGE) VEDERE TABELLA.

THIS DRAWING IS A CONTROLLED DOCUMENT. DWN 16 APRILE 1992 C.IANNARELLI

DIMENSIONS: mm. TOLERANCES UNLESS OTHERWISE SPECIFIED: 0 PLC ± -; 1 PLC ± 0.3; 2 PLC ± -; 3 PLC ± -; 4 PLC ± -; ANGLES ± 2°.

MATERIAL: -. FINISH: -.

WEIGHT: -. SIZE: A3. CAGE CODE: 00779. DRAWING NO: C=282308F. RESTRICTED TO: -.

CUSTOMER DRAWING. SCALE: 5:1. SHEET: 1 of 1. REV: A1.