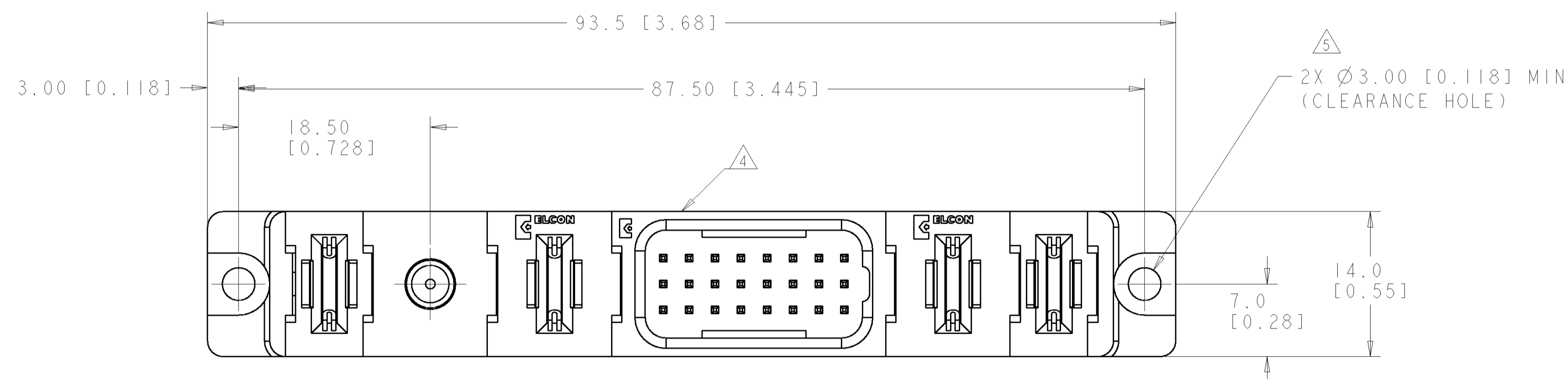


LOC	DIST	REVISIONS			
P	LTR	DESCRIPTION	DATE	DWN	APVD
A		RELEASED	23FEB2007	RG	PD



1. PART NUMBER CHANGES AND OR DESIGN CHANGES AFFECTING ITEM INTERCHANGEABILITY REQUIRE PRIOR TYCO APPROVAL AND AUTHORIZATION BY REVISION TO THIS DRAWING.

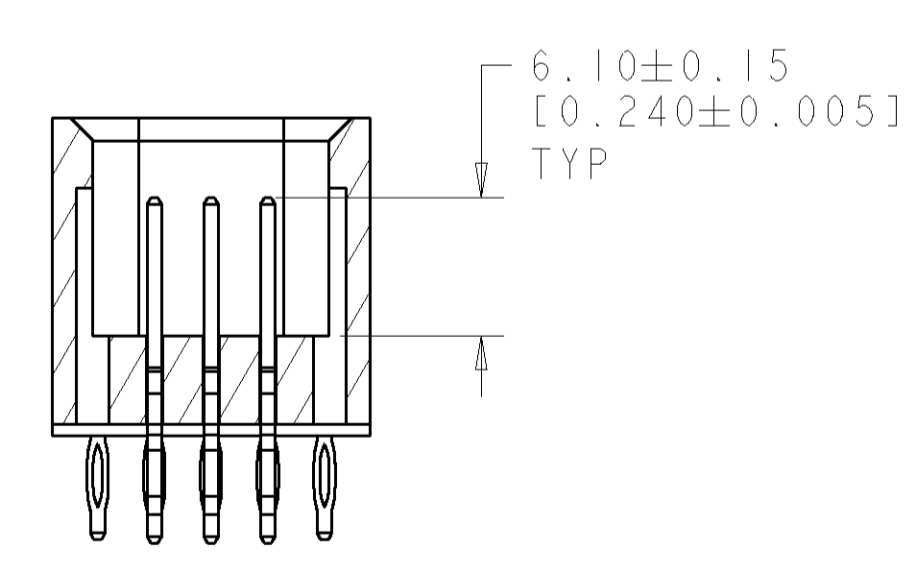
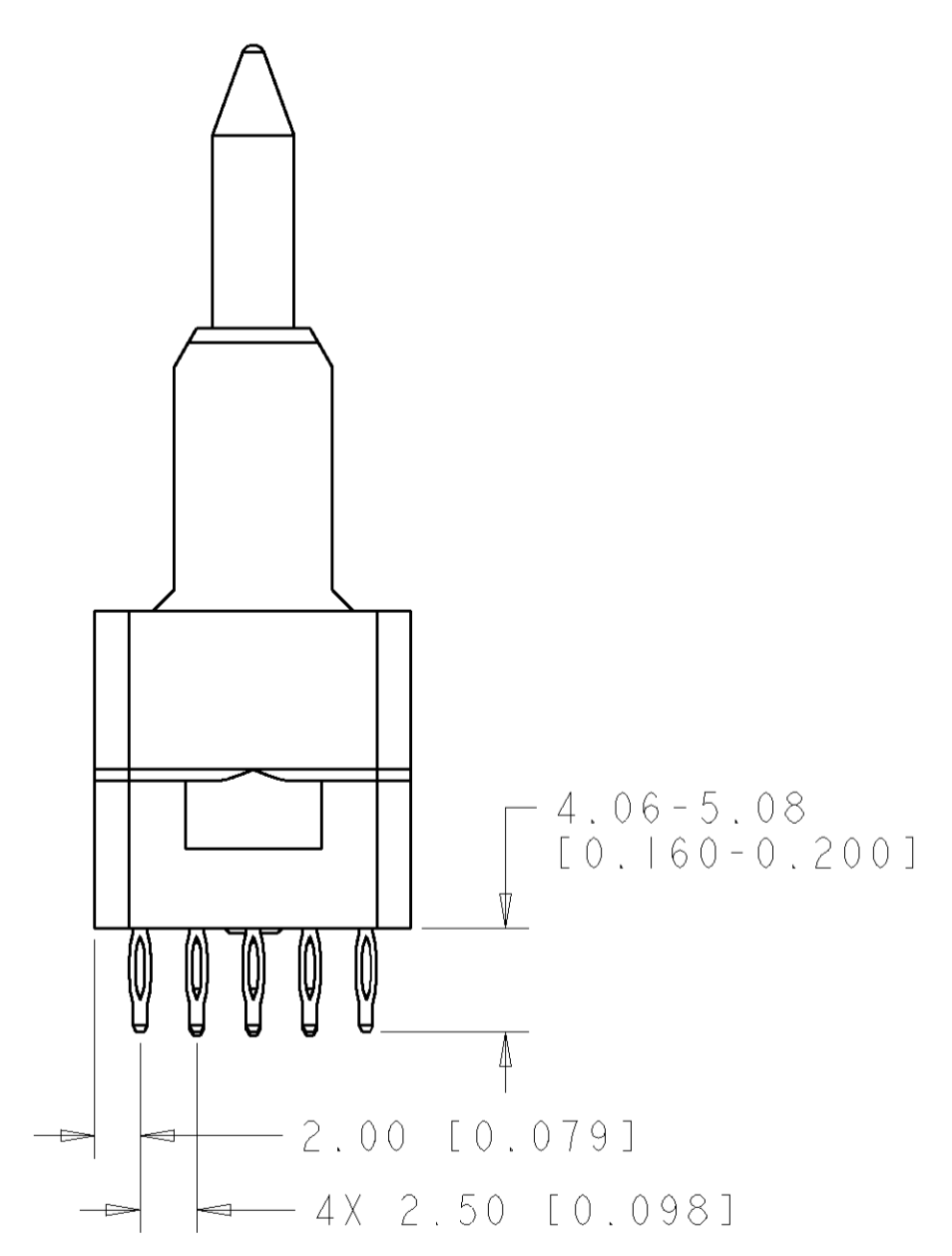
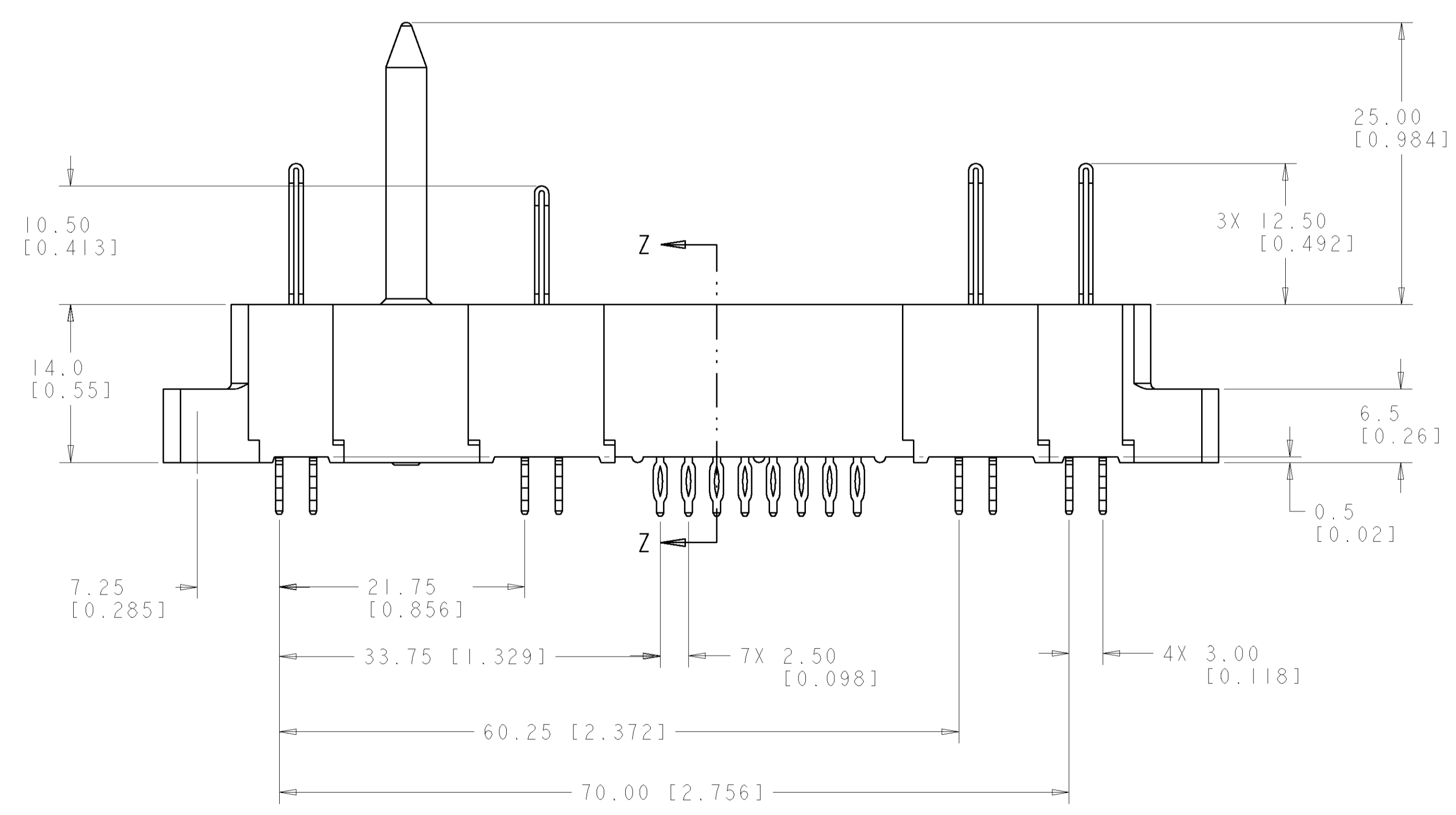
2. MATERIAL:  
 INSULATORS - THERMOPLASTIC, GLASS REINFORCED, COLOR: BLACK, UL94V-0 FLAMMABILITY RATED.  
 CROWN BANDS - PHOSPHOR BRONZE COPPER ALLOY  
 POWER CONTACTS - COPPER ALLOY  
 SIGNAL CONTACTS - PHOSPHOR BRONZE  
 GUIDE PIN - BRASS ALLOY

3. FINISH:  
 CONTACTS - GOLD PLATE .76µm MIN. THK., OVER NICKEL 1.27µm MIN. THK.  
 COMPLIANT TAILS, MATTE TIN 1.02 MIN. THK. OVER NICKEL 1.27µm MIN THK.  
 GUIDE PIN - NICKEL 1.27µm MIN THK.

△ ITEMS PROVIDED TO THIS SPECIFICATION TO BE PERMANENTLY IDENTIFIED PER THE FOLLOWING IDENTIFIER LABEL

TYCO PART NO.      DATE CODE (e.g. 0106)  
 XXXXXXXX-X      XXXX

△ MOUNTING FLANGES ACCEPT M3 OR #4-40 SCREWS (USER SUPPLIED)



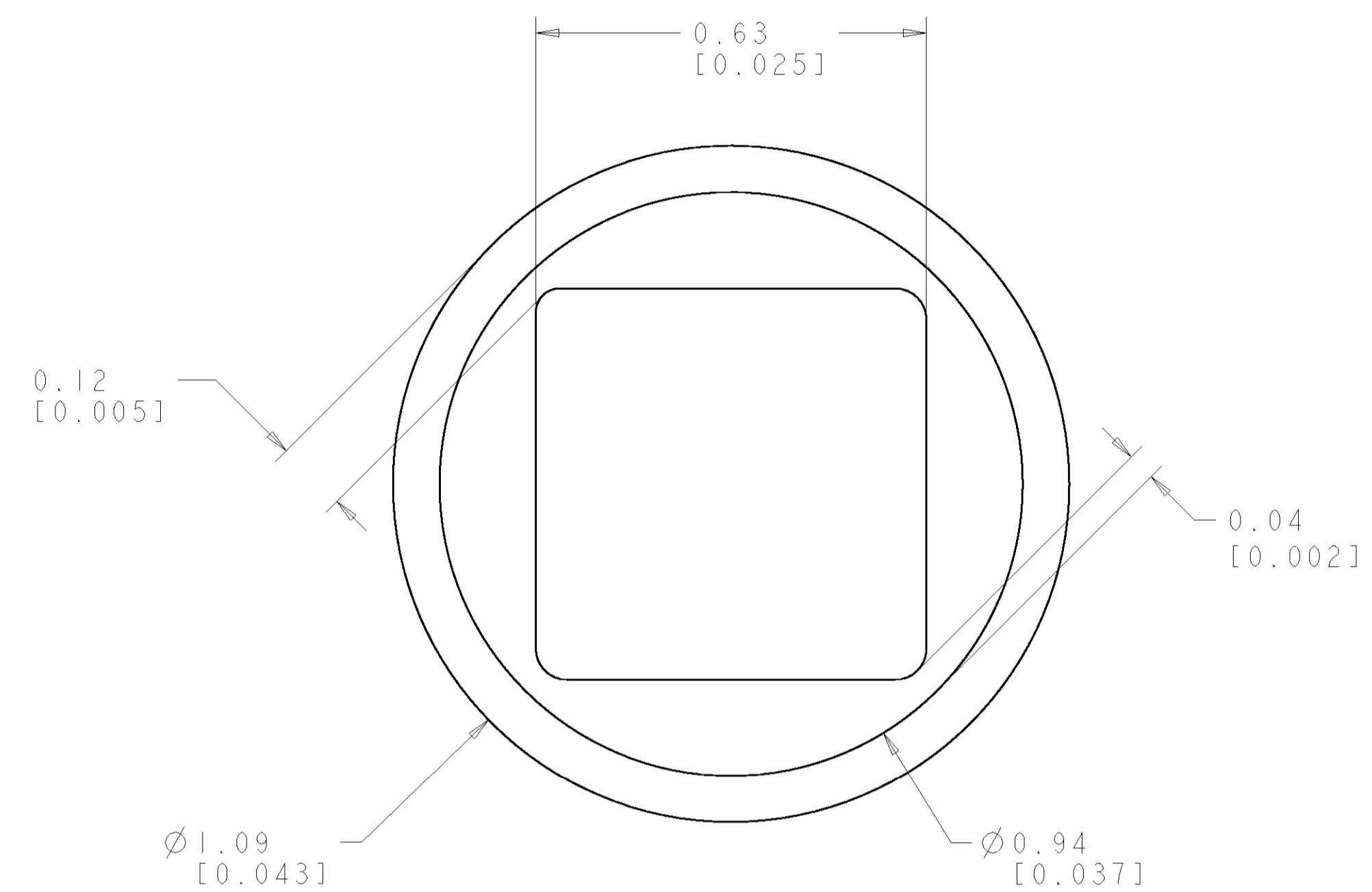
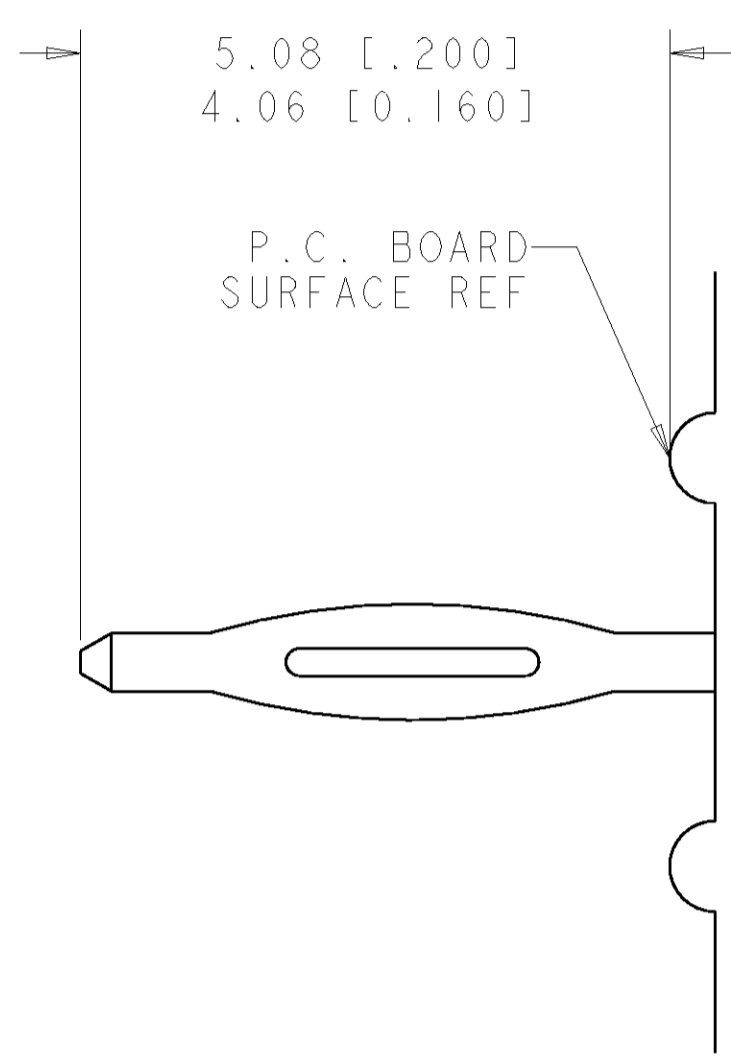
SECTION Z-Z  
 GENDER CHANGER BLADE  
 REMOVED FOR  
 CLARITY

ELCON FLATPAQ

AS SHOWN		1926410-1	
DESCRIPTION		PART NUMBER	
<small>THIS DRAWING IS UNPUBLISHED. RELEASED FOR PUBLICATION BY TYCO ELECTRONICS CORPORATION. ALL RIGHTS RESERVED.</small> DIMENSIONS: mm [INCHES] TOLERANCES UNLESS OTHERWISE SPECIFIED: 0 PLC ±.3 [0.012] 1 PLC ±.3 [0.012] 2 PLC ±.3 [0.012] 3 PLC ±.15 [0.006] 4 PLC ±.15 [0.006] ANGLES ±.5		DWN: R. GRZYBOWSKI 15FEB2007 CHK: P. DAMATO 15FEB2007 APVD: S. FLICKINGER 15FEB2007 PRODUCT SPEC: - APPLICATION SPEC: - WEIGHT: - CUSTOMER DRAWING: -	
tyco Electronics Tyco Electronics Harrisburg, PA 17105-3608		NAME: CONNECTOR PIN ASSEMBLY, STRAIGHT, COMPLIANT TAIL FLATPAQ SIZE: A   00779   C=1926410 SCALE: 3:1 SHEET 1 OF 3 REV A	



LOC	DIST	REVISIONS					
GP	00	P.	LTR	DESCRIPTION	DATE	DWN	APVD
		-		SEE SHEET 1	-	-	-



6. COMPLIANT PIN DETAIL  
 SCALE 10 : 1  
 INSERTION/EXTRACTION FORCES  
 MAXIMUM PUSH IN: 133.3N PER PIN  
 [30 LBS]  
 MINIMUM PUSH OU: 44.4N PER PIN  
 [10 LBS]

△ SOLDER TERMINATION AREA  
 SCALE 40:1  
 RECOMMENDED PRINTED CIRCUIT HOLE  
 COMPLIANT PRESS FIT  
 DRILLED HOLE: Ø1.15 [.0453] ±.013 [.0005]  
 COPPER PLATE: .025 [.0010] MIN  
 TIN PLATE: .008 [.0003] MIN. (PER SURFACE)

<small>THIS DRAWING IS UNPUBLISHED. RELEASED FOR PUBLICATION. ALL RIGHTS RESERVED. THIS DRAWING IS THE PROPERTY OF TYCO ELECTRONICS CORPORATION. IT IS TO BE USED ONLY FOR THE PURPOSES AND ORGANIZATION SPECIFIED HEREIN. NO PARTS OF THIS DRAWING ARE TO BE REPRODUCED OR TRANSMITTED IN ANY FORM OR BY ANY MEANS, ELECTRONIC OR MECHANICAL, INCLUDING PHOTOCOPYING, RECORDING, OR BY ANY INFORMATION STORAGE AND RETRIEVAL SYSTEM, WITHOUT PERMISSION IN WRITING FROM TYCO ELECTRONICS CORPORATION.</small>		DWN R. GRZYBOWSKI 15FEB2007 CHK P. DAMATO 15FEB2007 APVD S. FLICKINGER 15FEB2007	<b>tyco</b> Electronics Tyco Electronics Harrisburg, PA 17105-3608
DIMENSIONS: mm [ INCHES ] 0 PLC ±.3 [.012] 1 PLC ±.3 [.012] 2 PLC ±.15 [.006] 3 PLC ±. 4 PLC ±. ANGLES ±.5	TOLERANCES UNLESS OTHERWISE SPECIFIED: 0 PLC ±. 1 PLC ±.3 [.012] 2 PLC ±.15 [.006] 3 PLC ±. 4 PLC ±. ANGLES ±.5	NAME CONNECTOR PIN ASSEMBLY, STRAIGHT, COMPLIANT TAIL FLATPAQ	SIZE CAGE CODE DRAWING NO A 100779 C-1926410
MATERIAL	FINISH	WEIGHT	RESTRICTED TO
-	-	-	-
CUSTOMER DRAWING		SCALE 3:1	SHEET 3 OF 3 REV A