

THIS DRAWING IS UNPUBLISHED. RELEASED FOR PUBLICATION
 © COPYRIGHT - By - ALL RIGHTS RESERVED.

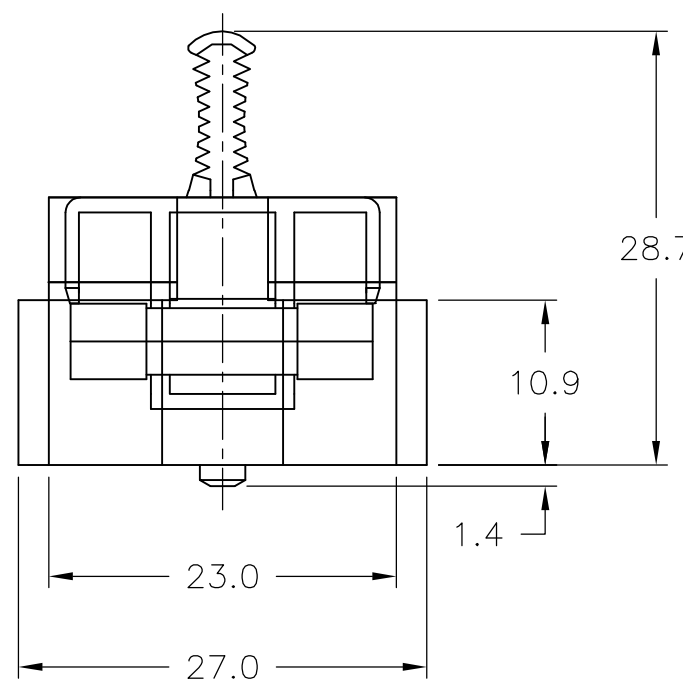
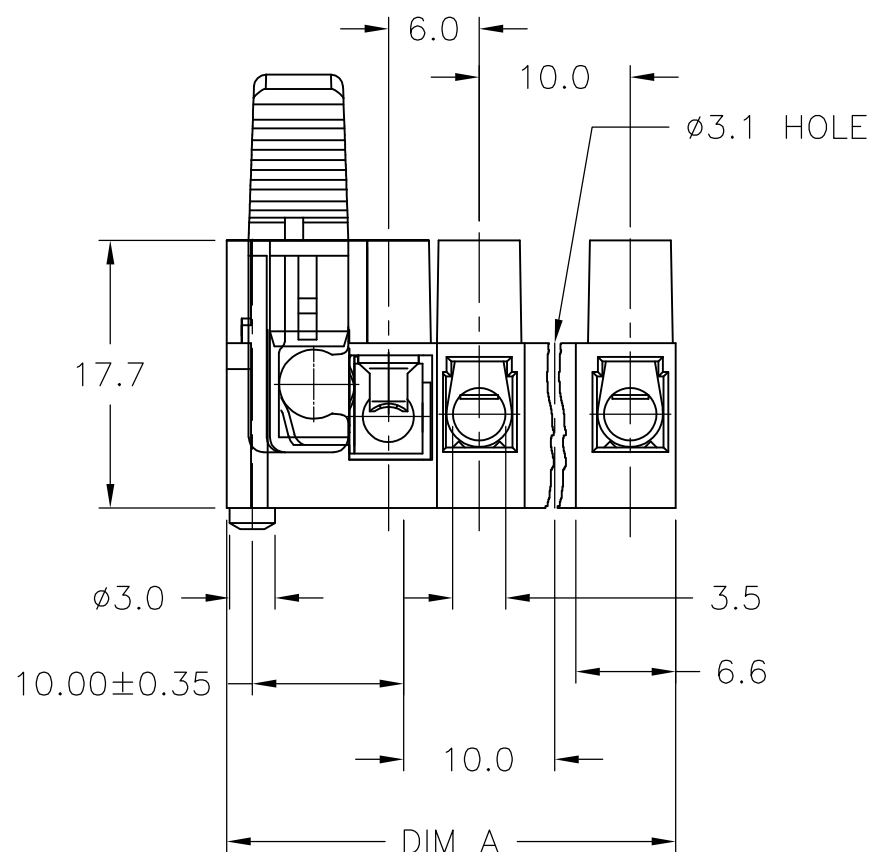
| LOC | DIST | REVISIONS | | | | | |
|-----|------|-------------|------|---------------------------|---------|----|-----|
| P | LTR | DESCRIPTION | DATE | DWN | APVD | | |
| FT | 0 | P | P | REVISED PER ECO-11-005027 | 11MAR11 | RK | HMR |

MATERIAL:
 HOUSING: POLYAMIDE 6/6, GRAY, HANDLE BLACK.
 INSERTS: BRASS, TIN PLATED.
 CONTACTS FOR FUSES: STAINLESS SPRING STEEL.
 SCREWS: M3, STEEL, ZINC PLATED, NON-HEXAVALENT CHROMATE (CHROME III).

VOLTAGE RATING:
 FUSE HOLDERS: 250V
 TERMINAL BLOCKS: 400V

CURRENT RATING:
 FUSE HOLDERS: 10A
 TERMINAL BLOCKS: 16A

WIRE RANGE: 12-22 AWG



| | | |
|-------------------------|-------------|-------------|
| 30.0 | 503SI/3EDS | 2-1776301-3 |
| DIM A | CATALOG NO. | PART NUMBER |
| WIRE PROTECTOR GROUNDED | | |

| | | |
|----------------------------|-------------|-------------|
| 50.0 | 503SI/5E | 1-1776301-5 |
| 40.0 | 503SI/4E | 1-1776301-4 |
| 30.0 | 503SI/3E | 1-1776301-3 |
| DIM A | CATALOG NO. | PART NUMBER |
| TUNNEL CONNECTION GROUNDED | | |

| | | |
|----------------|-------------|-------------|
| 50.0 | 503SI/5DS | 1-1776301-0 |
| 40.0 | 503SI/4DS | 1776301-9 |
| 30.0 | 503SI/3DS | 1776301-8 |
| 20.0 | 503SI/2DS | 1776301-7 |
| 14.3 | 503SI/1DS | 1776301-6 |
| DIM A | CATALOG NO. | PART NUMBER |
| WIRE PROTECTOR | | |

| | | |
|-------------------|-------------|-------------|
| 50.0 | 503SI/5 | 1776301-5 |
| 40.0 | 503SI/4 | 1776301-4 |
| 30.0 | 503SI/3 | 1776301-3 |
| 20.0 | 503SI/2 | 1776301-2 |
| 14.3 | 503SI/1 | 1776301-1 |
| DIM A | CATALOG NO. | PART NUMBER |
| TUNNEL CONNECTION | | |

| | | | | | | | |
|--|--|------------------------|---------------------------------------|------|-----------|------------|---------------|
| THIS DRAWING IS A CONTROLLED DOCUMENT. | | DWN S SCHLEGEL 3/21/05 | TE Connectivity | | | | |
| DIMENSIONS: mm | | CHK S YODER 3/21/05 | | | | | |
| TOLERANCES UNLESS OTHERWISE SPECIFIED: | | APVD S YODER 3/21/05 | NAME FUSED TERMINAL BLOCK 503SI | | | | |
| 0 PLC ± - 1 PLC ± .3 2 PLC ± .25 3 PLC ± - 4 PLC ± - ANGLES ± - | | PRODUCT SPEC - | | | | | |
| MATERIAL - | | FINISH - | APPLICATION SPEC - | SIZE | CAGE CODE | DRAWING NO | RESTRICTED TO |
| | | | WEIGHT - | A3 | 00779 | C-1776301 | - |
| CUSTOMER DRAWING | | | SCALE | NTS | SHEET | 1 OF 1 | REV P |