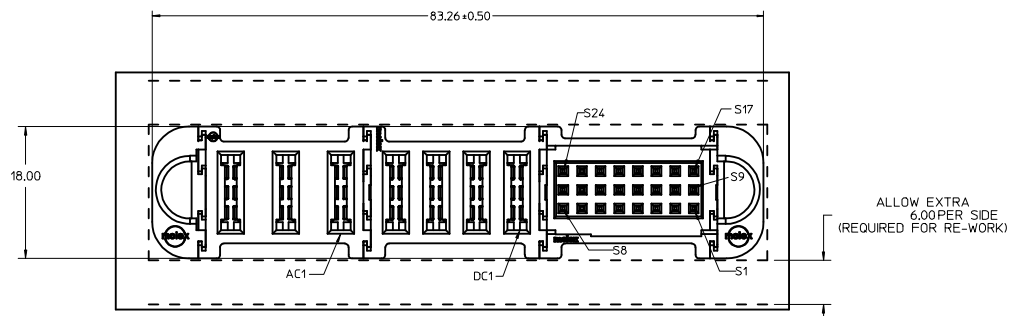
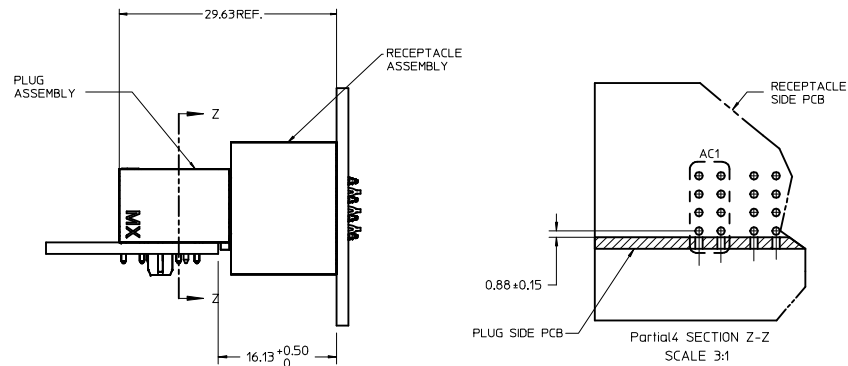


P/N: 46562-1084

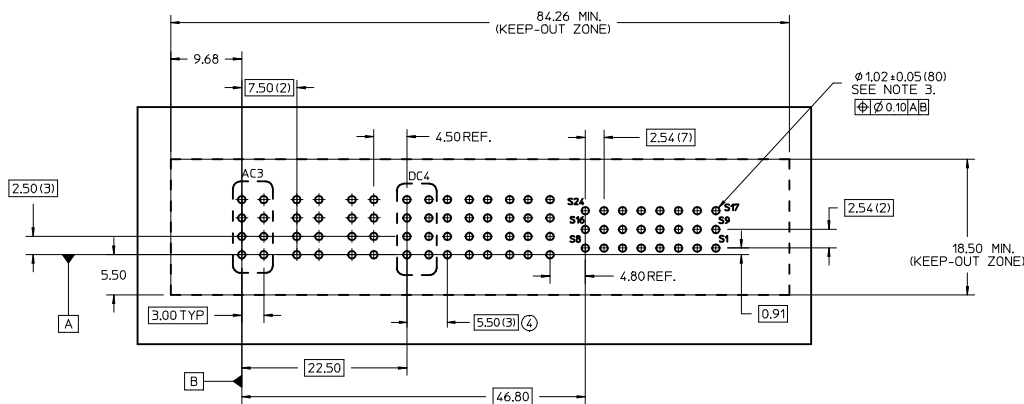


ALLOW EXTRA 6.00 PER SIDE (REQUIRED FOR RE-WORK)



NOTES:

- MATERIAL:
 - HOUSINGS: LCP UL94 V-0, COLOR: BLACK.
 - TERMINALS: COPPER ALLOY.
 - PLATING: 0.000127 NICKEL OVERALL WITH 0.00254 SELECTIVE MATTE TIN ON COMPLIANT PINS.
- AND 0.000762 SELECTIVE GOLD ON CONTACT AREA.
- PACKAGING ASSEMBLIES TO BE TRAY PACKED. STD. QUANTITY: TBD.
- PC BOARD REQUIRES SOLDER THRU HOLES. REFER TO PS-46436-100 FOR DETAILS.
- PRODUCT SPEC: PS-46436-100.
- APPLICATION SPEC: AS-46436-100.
- PRODUCT TO MEET RoHS REQUIREMENTS.
- ASSEMBLY MATES WITH MOLEX PLUG ASSEMBLY, P/N 46437-1084.



RECOMMENDED PCB LAYOUT AND KEEP-OUT ZONE

MODS RESHUFFLED IEC NO: UCP2010-0284 DRAWN BY: BKOSTIC 2009/09/14 CHECKED BY: CHYD BKOSTIC 2009/09/14 APPR: APATEL 2009/09/13	QUALITY SYMBOLS	GENERAL TOLERANCES (UNLESS SPECIFIED)	DIMENSION STYLE	SCALE	DESIGN UNITS	THIRD ANGLE PROJECTION	
		mm INCH	MM ONLY	3:1	METRIC	☉	
		4 PLACES ± --- ± ---	DRAWN BY DATE	TITLE			
		3 PLACES ± --- ± .010	BKOSTIC 2009/08/04	VERTICAL RECEPTACLE ASSY			
	2 PLACES ± 0.25 ± .010	CHECKED BY DATE	3AC-4DC-24S				
	1 PLACE ± 0.25 ± ---	BKOSTIC 2009/08/20	TEN60 POWER FAMILY				
	ANGULAR ±1/2°	APPROVED BY DATE	MOLEX MOLEX INCORPORATED				
	DRAFT WHERE APPLICABLE MUST REMAIN WITHIN DIMENSIONS	MATERIAL NO.	DOCUMENT NO.		SHEET NO.		
		46562-1084	SD-46562-1084		1 OF 1		
		SIZE D	THIS DRAWING CONTAINS INFORMATION THAT IS PROPRIETARY TO MOLEX INCORPORATED AND SHOULD NOT BE USED WITHOUT WRITTEN PERMISSION				