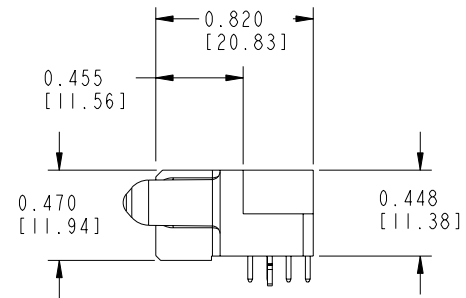
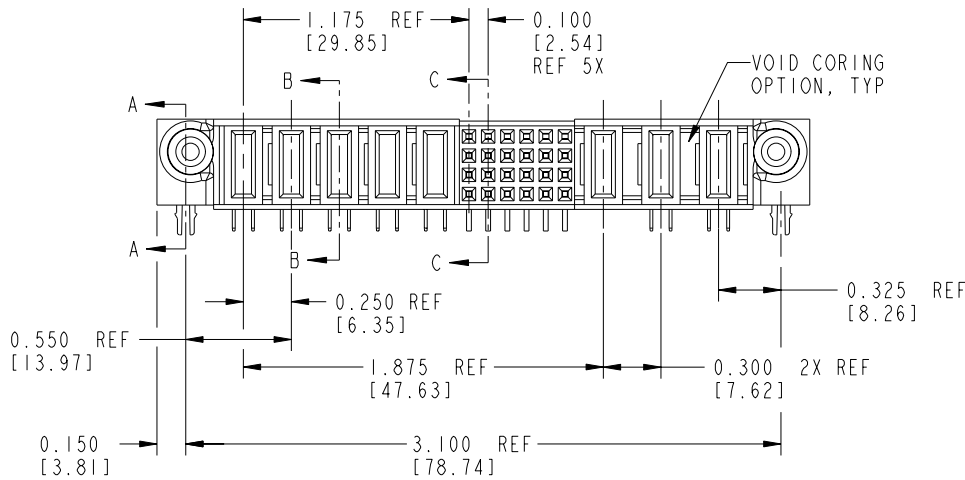
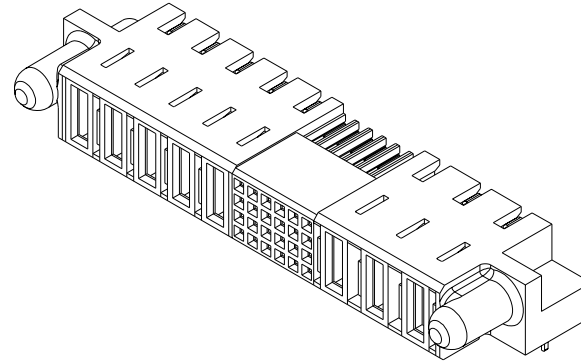
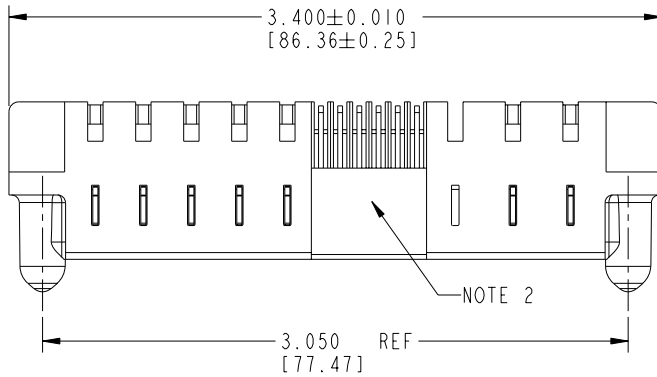


Tous droits strictement réservés. Reproduction ou communication a des tiers interdite sous quelque forme que ce soit sans autorisation écrite du propriétaire. Propriété de c FCI. Droits de reproduction FCI.

All rights strictly reserved. Reproduction or issue to third parties in any form whatever is not permitted without written authority from the proprietor. Property of FCI. Copyright FCI.

FCI

PRODUCT NUMBER
SEE SHEET 4



mat'l code				NOTE 1		tolerances unless otherwise specified		CUSTOMER COPY		 www.fciconnect.com	
lfr	ecn no.	dr	date	linear	.XX ± .01 / .X ± .3	projection		title 3ACP + 24S + 5P RIGHT ANGLE SOLDER RECEPT.			
A	V02395	JRW	11-13-00	angles	.XXX ± .005 / .XX ± .13	 1:1		product family PwrBlade		code 213	
B	DG05-0186	GuoJM	06/23/05	dr	.XXXX ± .0020 / .XXX ± .051			size		51810	
				enrg	M. GALLUPS 04-25-00						
				chr	J. BROWN 04-25-00						
				appd	J. BROWN 04-25-00						
sheet index	revision sheet	B 1	B 2	B 3	B 4						

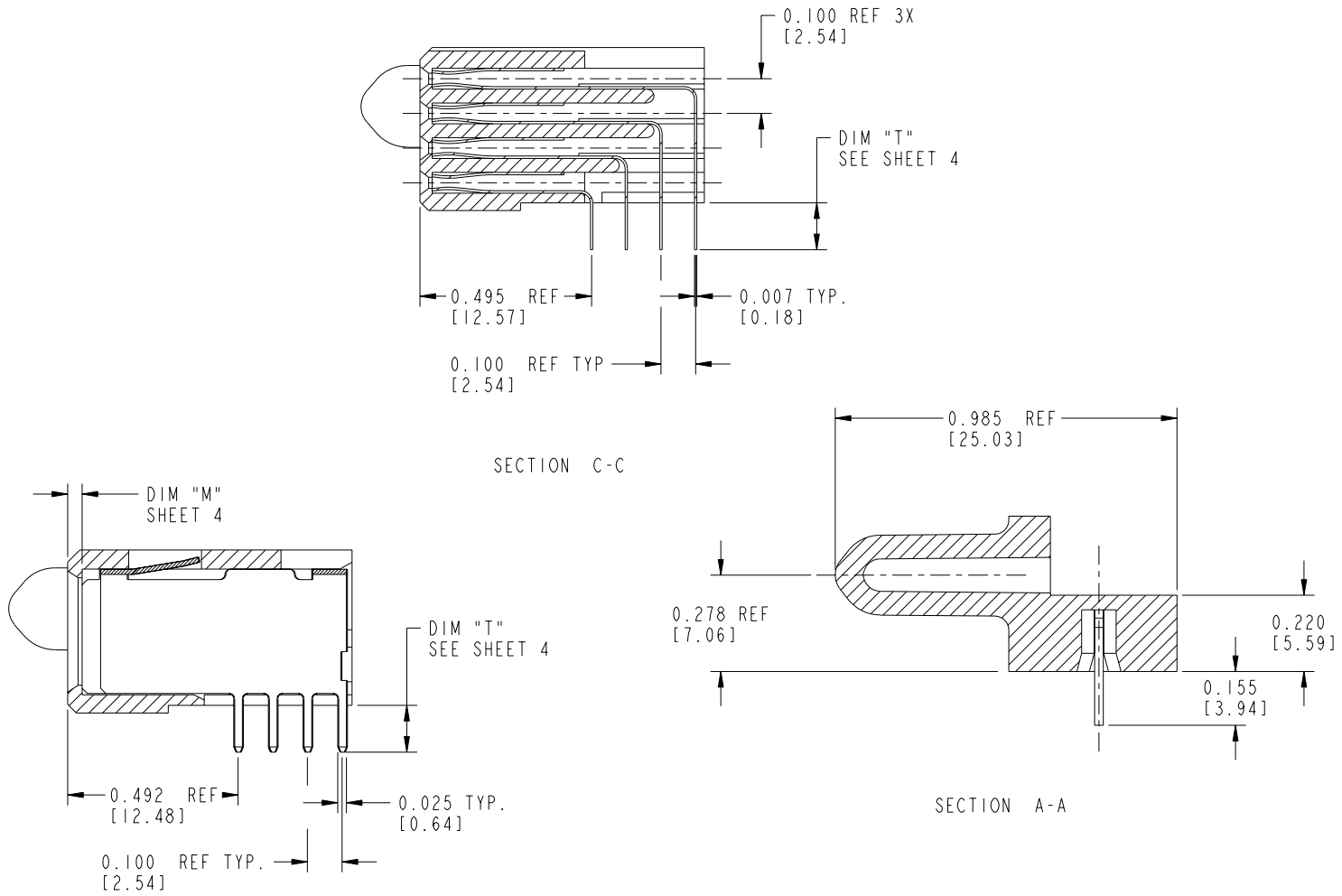
THIS FILE WAS ORIGINALLY CREATED IN THE PRO ENGINEER ENVIRONMENT AND ANY FUTURE REVISIONS TO THIS FILE MUST BE MADE IN THE PRO ENGINEER ENVIRONMENT

Tous droits strictement réservés. Reproduction ou communication a des tiers interdite sous quelque forme que ce soit sans autorisation écrite du propriétaire. Propriété de c FCI. Droits de reproduction FCI.

All rights strictly reserved. Reproduction or issue to third parties in any form whatever is not permitted without written authority from the proprietor. Property of FCI. Copyright FCI.

FCI

PRODUCT NUMBER
SEE SHEET 4



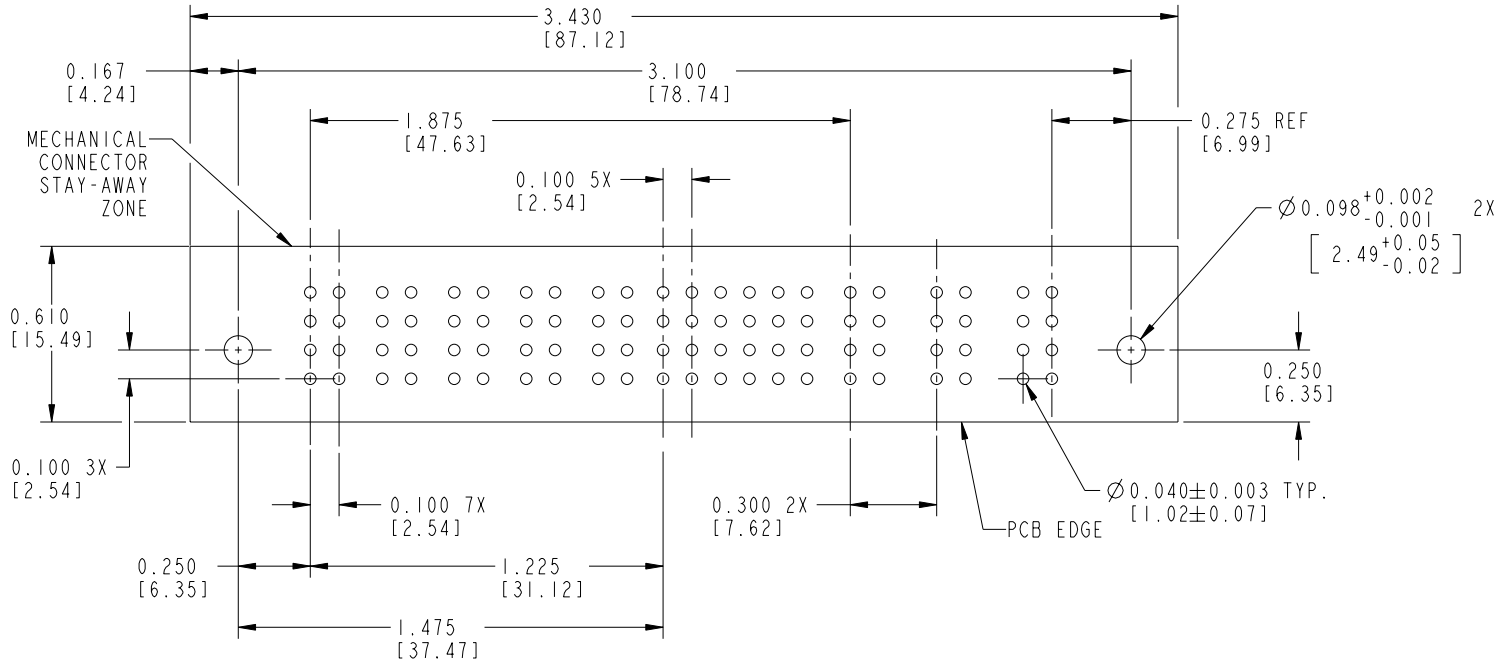
mat'l code		tolerances unless otherwise specified		CUSTOMER COPY		FCI www.fciconnect.com		
ltr	ecn no.	dr	date	linear	projection	title		
B				.XX ± .01 / .X ± .3		3ACP + 24S + 5P RIGHT ANGLE SOLDER RECEPT.		
				.XXX ± .005 / .XX ± .13		product family	PwrBlade	code
				.XXX ± .0020 / .XXX ± .051		size	51810	213
				angles		dwg no	SHEET 2	
				dr	IN/MM			
				enr	2:1			
				chr				
				appd				
sheet index	revision sheet							

Tous droits strictement réservés. Reproduction ou communication a des tiers interdite sous quelque forme que ce soit sans autorisation écrite du propriétaire. Propriété de c FCI. Droits de reproduction FCI.

All rights strictly reserved. Reproduction or issue to third parties in any form whatever is not permitted without written authority from the proprietor. Property of FCI. Copyright FCI.

FCI

PRODUCT NUMBER
SEE SHEET 4



RECOMMENDED PCB LAYOUT

mat'l code		tolerances unless otherwise specified		CUSTOMER COPY		FCI www.fciconnect.com		
ltr	ecn no.	dr	date	linear	.XX ±.01/.X ±.3	projection 	title 3ACP + 24S + 5P RIGHT ANGLE SOLDER RECEPT.	
B					.XXX ±.005/.XX ±.13			
				angles	.XXXX ±.0020/.XXX ±.051			
				dr	M. GALLUPS 04-25-00	IN/MM scale 3:2	product family PwrBlade	
				enrg	J. BROWN 04-25-00		code 213	
				chr	J. BROWN 04-25-00		size 51810	SHEET 3
				appd	J. BROWN 04-25-00		dwg no A	
sheet index	revision sheet							

