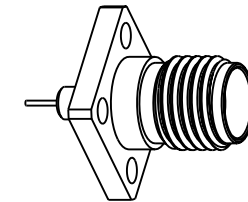


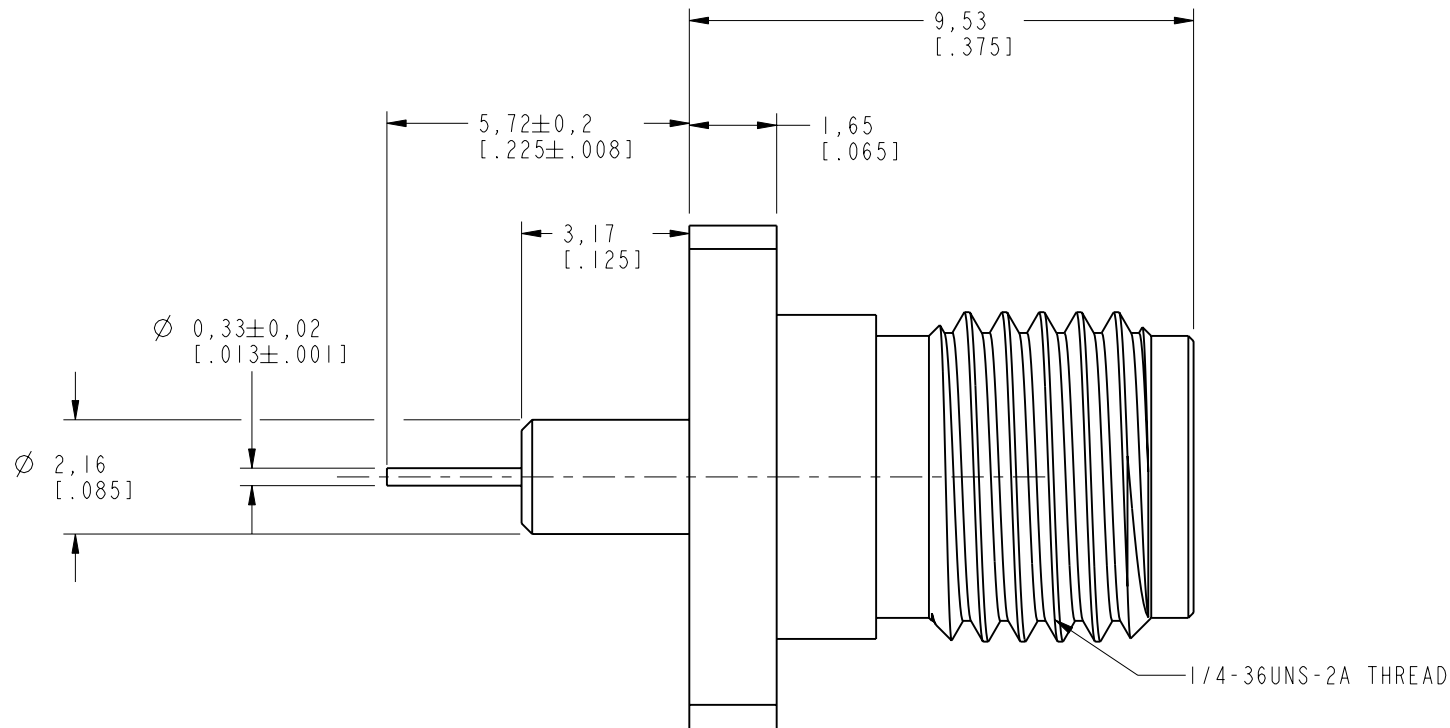
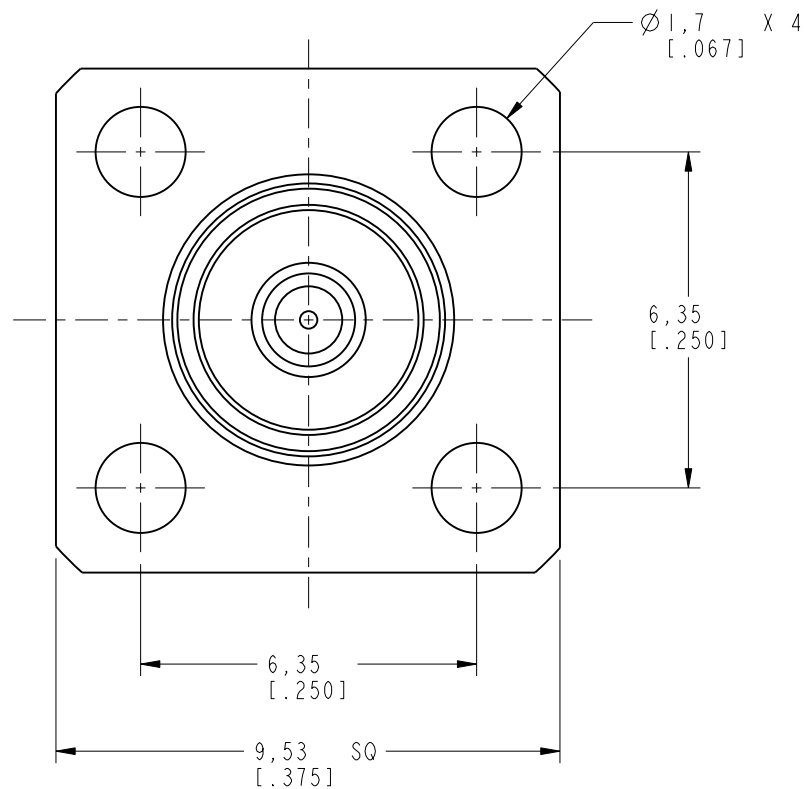
NOTES:

1. MATERIALS OF CONSTRUCTION:
 BODY = BRASS (ASTM-B16 H02, C36000), GOLD PLATED (.000003 MIN) OVER NICKEL (.000100 MIN) THICK
 CONTACT PIN = PHOSPHOR BRONZE, GOLD PLATED (.000050 MIN THICK) OVER NICKEL (.000100 MIN) THICK
 INSULATORS = PTFE PER ASTM D 1710 OR EQUIV.
 COVER = PE, NATURAL
2. CONNECTOR SUPPLIED WITH POLYETHYLENE CAP TO PROTECT CONTACT.
3. ELECTRICAL:
 A. IMPEDANCE: 50 OHM
 B. FREQUENCY RANGE: DC - 18.0 GHz
4. MECHANICAL:
 A. DURABILITY: 500 CYCLES MIN.
 B. TEMPERATURE RANGE: -65° C TO+165° C
5. PACKAGING:
 A. QUANTITY: SINGLE PACK
 B. MARKING: BAG TO BE MARKED
 "AMPHENOL, 901-10124, AND DATE CODE"

901-10124		REVISIONS			
DRAWING NO.	REV	DESCRIPTION	DATE	ECO	APPR
THIRD ANGLE PROJ.	A	RELEASE TO MFG.	7/15/04	45045	CPM
	B	A) CHANGED CONTACT TIP DIA TO Ø0.33 MM B) CHANGED CONTACT MATERIAL TO : PHOSPHOR BRONZE	9/27/05	45739	HP



SCALE 2.000



CUSTOMER OUTLINE DRAWING
 ALL OTHER SHEETS ARE FOR INTERNAL USE ONLY

UNLESS OTHERWISE SPECIFIED, DIMENSIONS ARE IN INCHES AND TOLERANCES ARE: 2 PLACE DECIMAL ±.015 (0,381 mm) 3 PLACE DECIMAL ±.005 (0,127 mm) ANGLES ± 1°	MATERIAL	DRAWN C. McGRATH	DATE 10/20/03	TITLE SMA PANEL RECEPT JACK		Amphenol RF Danbury, CT, USA Tainan, Taiwan Shenzhen, China www.amphenolrf.com
	REFERENCE EAR 1145 GEN# 901-10109-ASSY	ENGINEER O. BARTHELMES	DATE 10/20/03			
NOTICE - These drawings, specifications, or other data (1) are, and remain the property of Amphenol Corp. (2) must be returned upon request; and (3) are confidential and not to be disclosed to any person other than those to whom they are given by Amphenol Corp. The furnishing of these drawings, specifications, or other data by Amphenol Corp., or to any other person to anyone for any purpose is not to be regarded by implication or otherwise in any manner licensing, granting rights or permitting such holder or any other person to manufacture, use or sell any product, process or design, patented or otherwise, that may in any way be related to or disclosed by said drawings, specifications, or other data.		CAD FILE I:\SMA\ 901-10124	CODE ID 74868	DWG SIZE B	DRAWING NO. 901-10124	REV B
						SCALE: 7.0:1