

CODE	DIM "M" MATING LENGTH	CONTACT TYPE
U	[6.86]	SIGNAL
T	[6.86]	SIGNAL
S	[6.86]	SIGNAL
R	[6.86]	SIGNAL
F	[5.59]	SIGNAL
G	[5.59]	SIGNAL
PA	[N/A]	POWER
HA	[N/A]	HOLD-DOWN

spec ref	*	dr	Ruan MT	2013/09/03	projection	MM	size	A4	scale	1:1										
tolerance std	TOLERANCES UNLESS OTHERWISE SPECIFIED	eng	Ruan MT	2013/09/15			ecn no	-	rel level	Released										
SEE NOTE		chr	-	-																
surface	<table border="1"> <tr> <td>linear</td> <td>0.X</td> <td>±0.5</td> </tr> <tr> <td></td> <td>0.XX</td> <td>±0.25</td> </tr> <tr> <td></td> <td>0.XXX</td> <td>±0.1</td> </tr> <tr> <td>angular</td> <td>0°</td> <td>±2°</td> </tr> </table>	linear	0.X	±0.5		0.XX	±0.25		0.XXX	±0.1	angular	0°	±2°	appr	Pei-Ming Zheng	2013/09/15	product family	PwrBlade	rev	A
linear	0.X	±0.5																		
	0.XX	±0.25																		
	0.XXX	±0.1																		
angular	0°	±2°																		
					title	52S +12P		dwg no	51939-626											
		www.fci.com			cat. no.	-		Product - Customer Drw		sheet 1 of 4										



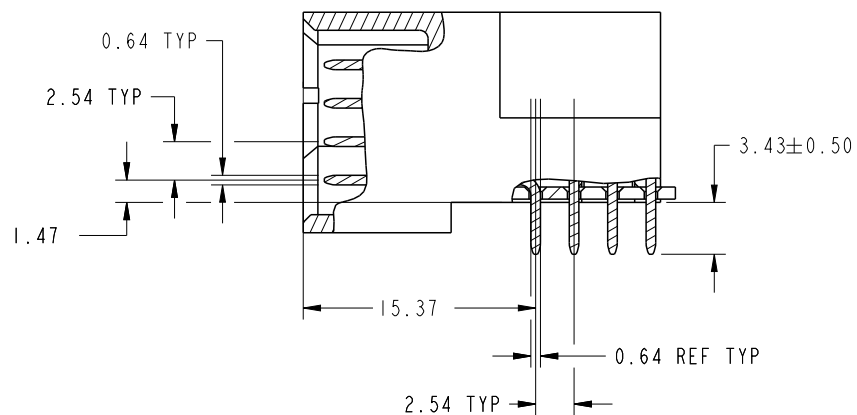
Copyright FCI.

PrdE File - REV C - 2009-06-09

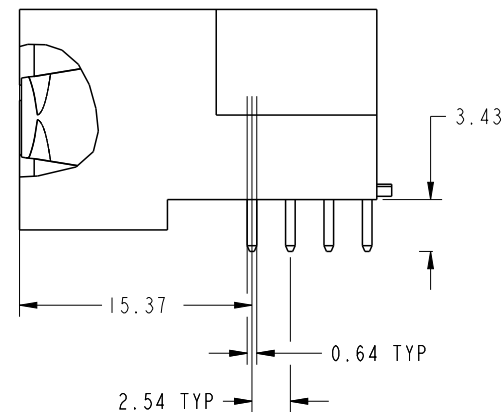
PRODUCT NUMBER

51939-787--
NOTE: 3

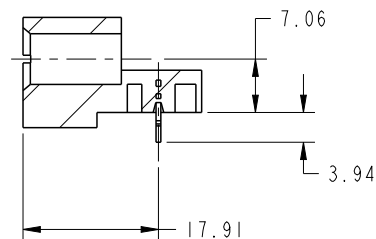
DIM "M" ±0.25



BROKEN-OUT SECTION A-A
SCALE 2:1



BROKEN-OUT SECTION B-B
SCALE 2:1

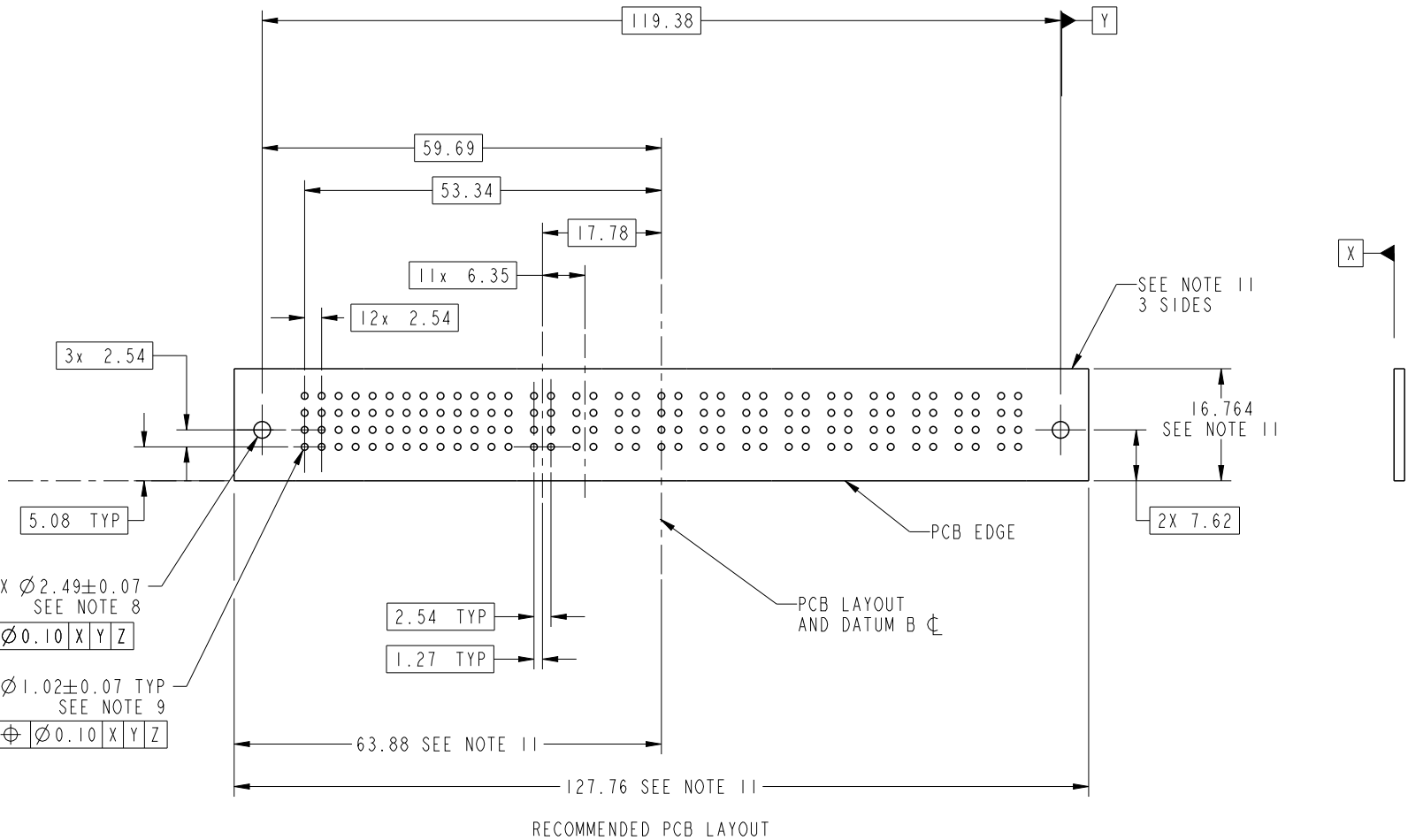


SECTION C-C

dr	Ruan MT	2013/09/03	projection 	MM 	size	A4	scale	1:1
eng	Ruan MT	2013/09/15			ecn no	-		
chr	-	-			rel level	Released		
appr	Pei-Ming Zheng	2013/09/15	product family	PwrBlade	rev	A		
		title	52S +12P		dwg no	51939-626		
www.fci.com		cat. no.	-		Product - Customer Drw		sheet 2 of 4	

PRODUCT NUMBER

51939-787--
NOTE: 3



RECOMMENDED PCB LAYOUT

dr	Ruan MT	2013/09/03	projection 	MM ←→	size	A4	scale	1:1	
eng	Ruan MT	2013/09/15			ecn no	-			
chr	-	-			rel level	Released			
appr	Pei-Ming Zheng	2013/09/15	product family	PwrBlade					
		title	52S +12P		dwg no	51939-626		rev	A
www.fci.com		cat. no.	-		Product - Customer Drw			sheet 3 of 4	

PRODUCT NUMBER

51939-787--
NOTE: 3

NOTES:

1. DIMENSIONS AND TOLERANCES ARE IN ACCORDANCE WITH ASME Y14.5M, 1994 UNLESS OTHERWISE SPECIFIED.

CONNECTOR NOTES:

- 2. HOUSING MATERIAL: UL 94 V-0 GLASS FILLED HIGH-TEMP THERMOPLASTIC
POWER CONTACT MATERIAL: COPPER ALLOY
SIGNAL PIN MATERIAL: COPPER ALLOY
- 3. SEE ITEM 1 & 2 IN PRINT 10064183 FOR PLATING SPEC OF 51939-787 AND 51939-787LF RESPECTIVELY.
- 4. MANUFACTURER'S NAME, DATE CODE AND OPTIONAL P/N TO APPEAR ON THIS SURFACE. THE P/N CAN BE OMITTED IF THERE IS NOT ENOUGH SPACE ON THIS SURFACE.
- 5. PRODUCT SPECIFICATION GS-12-149.
APPLICATION SPECIFICATION BUS-20-067.
- 6. PACKAGED IN TRAYS.

PCB NOTES:

- 7. ALL HOLE DIAMETERS ARE FINISHED HOLE SIZE.
- 8. MOUNTING HOLES, WHERE APPLICABLE, ARE UNPLATED.
- 9. $\varnothing 1.151 \pm 0.025$ DRILLED HOLES PLATED WITH
0.008 MIN SnPb OR Sn OVER 0.03
TO 0.08 Cu PLATING TO ACHIEVE
 $\varnothing 1.02 \pm 0.07$ HOLE.
- 10. "DIM XXX" TO BE DETERMINED BY THE CUSTOMER.
- 11. CONNECTOR KEEP-OUT ZONE.

dr	Ruan MT	2013/09/03	projection 	MM 	size	A4	scale	1:1	
eng	Ruan MT	2013/09/15			ecn no	-			
chr	-	-							
appr	Pei-Ming Zheng	2013/09/15	product family	PwrBlade	rel level	Released			
	title	52S +12P RIGHT ANGLE SOLDER HEADER			dwg no	51939-626		rev	A
www.fci.com	cat. no.	-	Product - Customer Drw			sheet 4 of 4			



Copyright FCI.