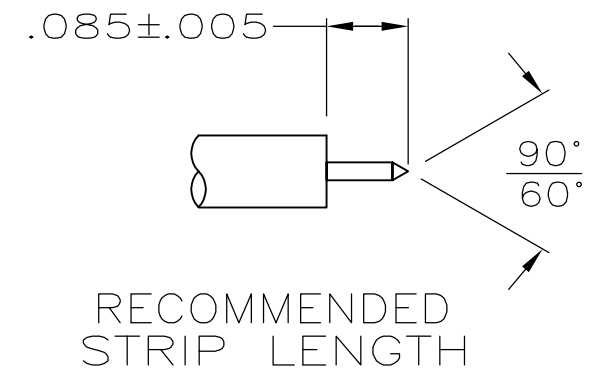
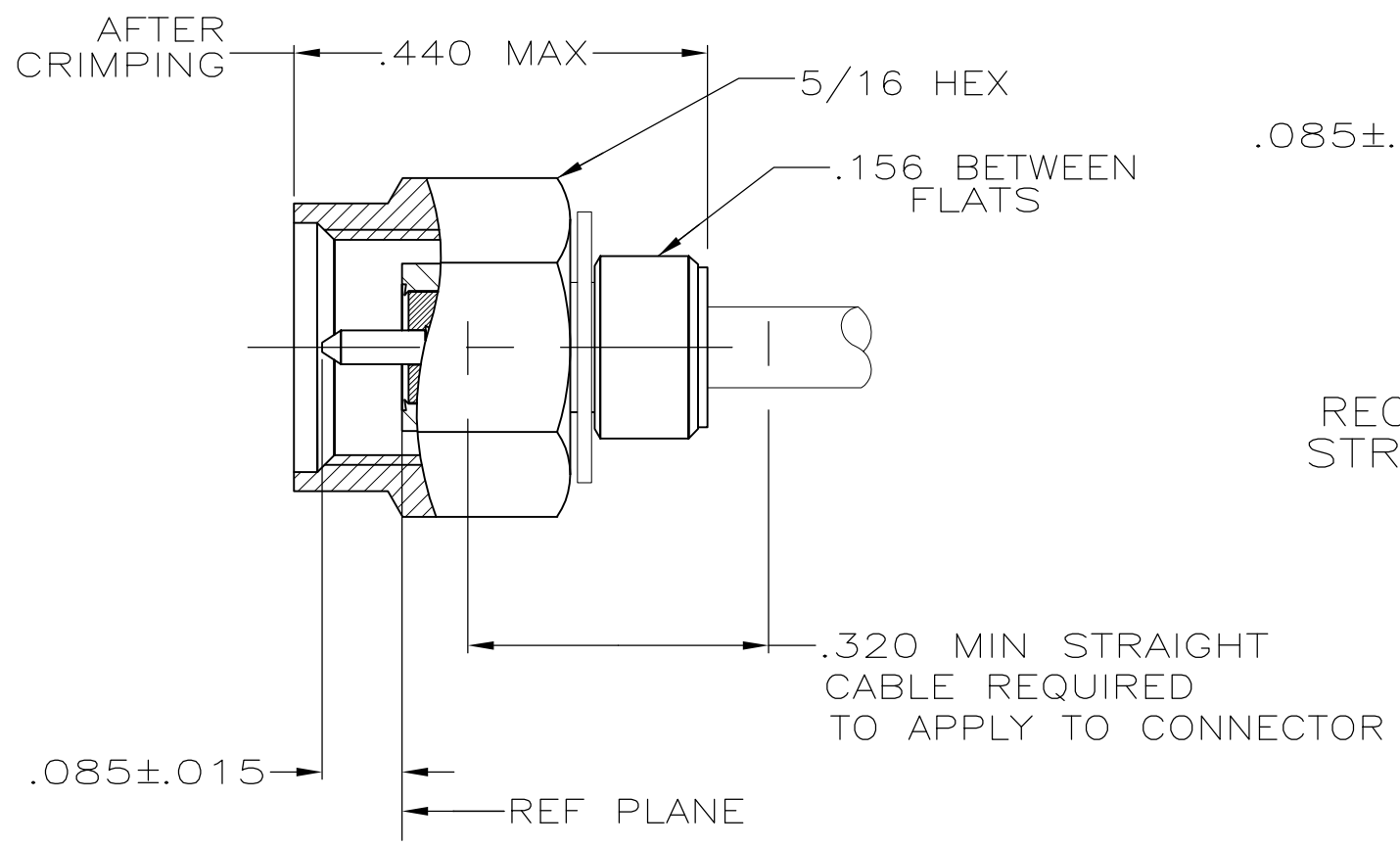
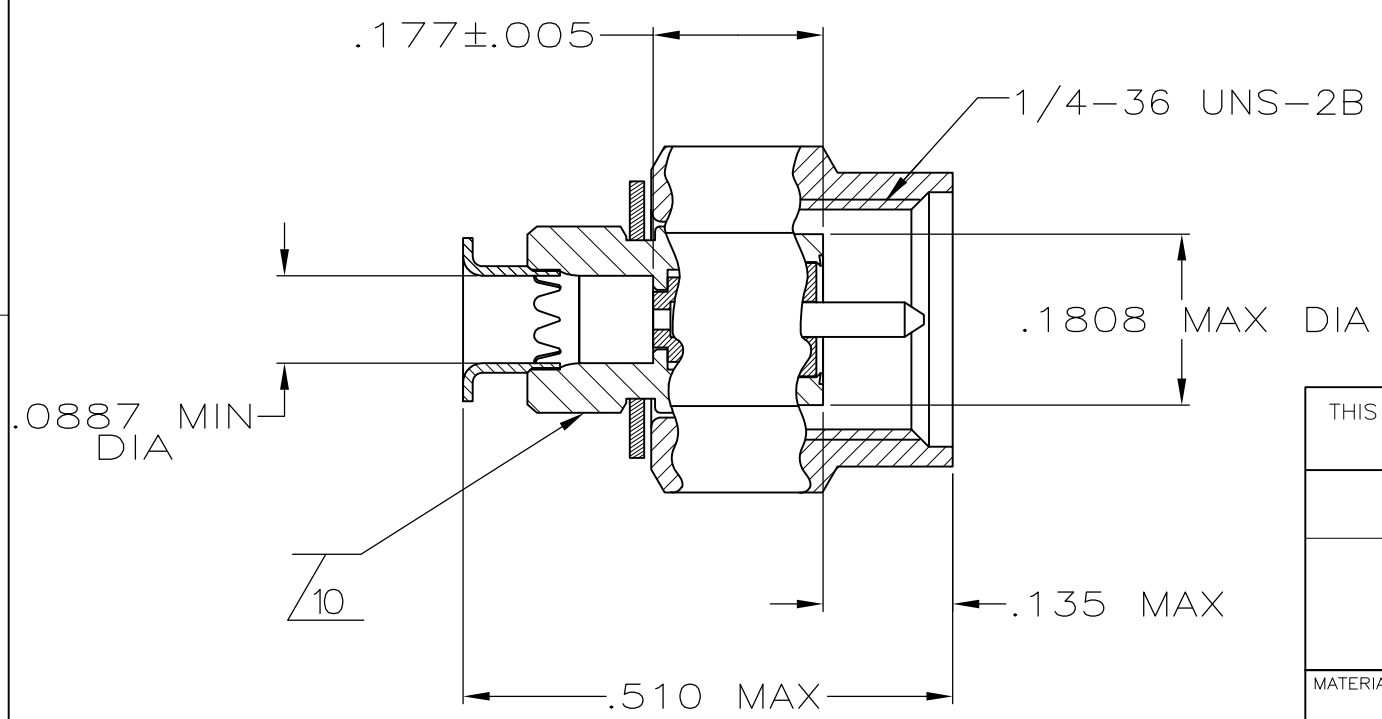


THIS DRAWING IS UNPUBLISHED. RELEASED FOR PUBLICATION  
 © COPYRIGHT - By - ALL RIGHTS RESERVED.

LOC	DIST	REVISIONS			
P	LTR	DESCRIPTION	DATE	DWN	APVD
AJ	16	C1	REVISED PER ECO-11-005030	11MAR11	RK HMR



1. FOR USE WITH: RG-405/U, .086 SEMI RIGID CABLE
2. PNEUMATIC TOOL: 59964-1  
CRIMPING TOOL: 59980-1
3. SEE I.S. 2924
4. STAINLESS STEEL PER ASTM-A-582
5. BERYLLIUM COPPER PER ASTM-B-197
6. SILICONE RUBBER PER ZZ-R-765
7. PTFE PER ASTM D1710
8. BRASS PER ASTM-B-36
9. GOLD PER MIL-G-45204
10. PASSIVATION PER ASTM A967
11. NICKEL PL PER QQ-N-290
12. PRODUCT IS DESIGNED TO MEET PRODUCT SPECIFICATION 108-12055
13. AF8627286-2 AMP



221447-1  
PART NO

THIS DRAWING IS A CONTROLLED DOCUMENT.		DWN C.BAKER 2-15-89	<b>STE</b> TE Connectivity	
DIMENSIONS: INCHES		CHK L.MOSCOSO 4-10-89		
TOLERANCES UNLESS OTHERWISE SPECIFIED:		APVD R.HENRY 4-10-89	NAMD-89	
0 PLC ± -		PRODUCT SPEC	4-10-89	
1 PLC ± -		APPLICATION SPEC	CONNECTOR, COAXIAL, RF, PLUG, SERIES SMA	
2 PLC ± -		SIZE	CAGE CODE	DRAWING NO
3 PLC ± -		—	—	—
4 PLC ± -		WEIGHT	—	—
ANGLES ± -		A3 00779		C-221447-1
MATERIAL 4 THRU 8		CUSTOMER DRAWING		RESTRICTED TO
FINISH 9 THRU 11		SCALE 5:1	SHEET 1 OF 1	REV C1