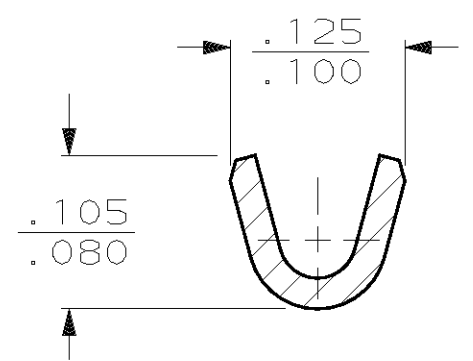
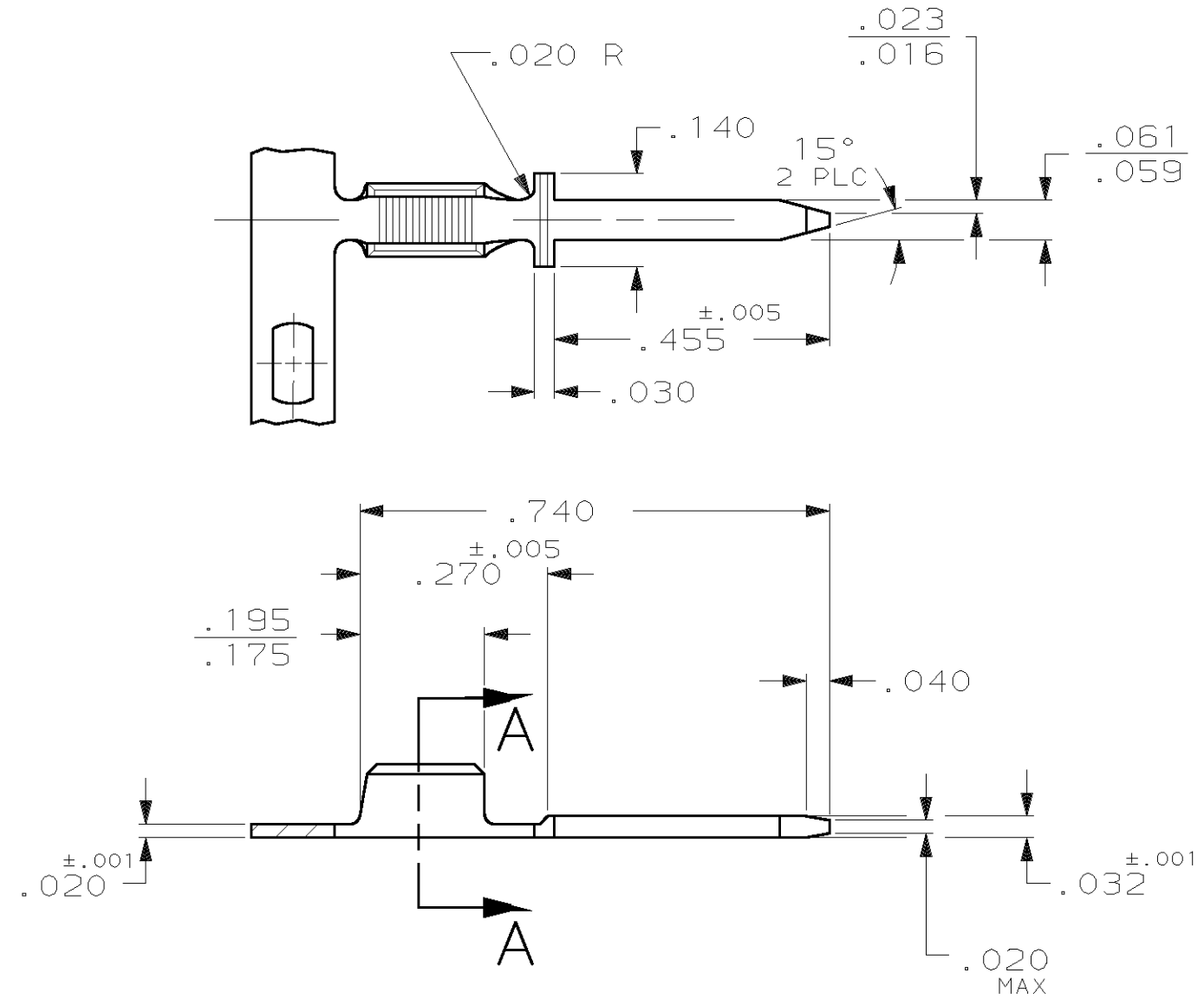


THIS DRAWING IS UNPUBLISHED. RELEASED FOR PUBLICATION .19
 © COPYRIGHT 19 BY AMP INCORPORATED, HARRISBURG, PA. ALL INTERNATIONAL RIGHTS RESERVED. AMP PRODUCTS MAY BE COVERED BY U.S. AND FOREIGN PATENTS AND/OR PATENTS PENDING.

LOC AF DIST 50

REVISIONS				
ZONE	LTR	DESCRIPTION	DATE	APPROVED
	H	ADDED -2 PER 0L10-0466-97	11/19/97	

1 - CONTINUOUS STRIP ON REELS.
 2 - REVERSE REELING OF 63497-1.



2	23-19 MAGNET	63497-2
	23-19 MAGNET	63497-1

UNLESS OTHERWISE SPECIFIED DIMENSIONS ARE IN INCHES TOLERANCES ON:		DR 5/27/88 JR RUTH		AMP INCORPORATED Harrisburg, Pa. 17105	
2 PL DEC ± _____		CHK 5/27/88 MS FEHER			
3 PL DEC ± .010		APPD 5/27/88 C MEYERS		NAME TAB, AMPLIVAR	
ANGLES ± _____		APPD 5/27/88 R KUZO		SIZE B	
MATERIAL #2H PREMILLED BRASS		PRODUCT SPEC _____		FSCM NO 00779	
FINISH TIN .000080 MIN		APPLICATION SPEC _____		DRAWING NO 63497	
		WEIGHT _____		SCALE 4:1	
				SHEET 1 OF 1	