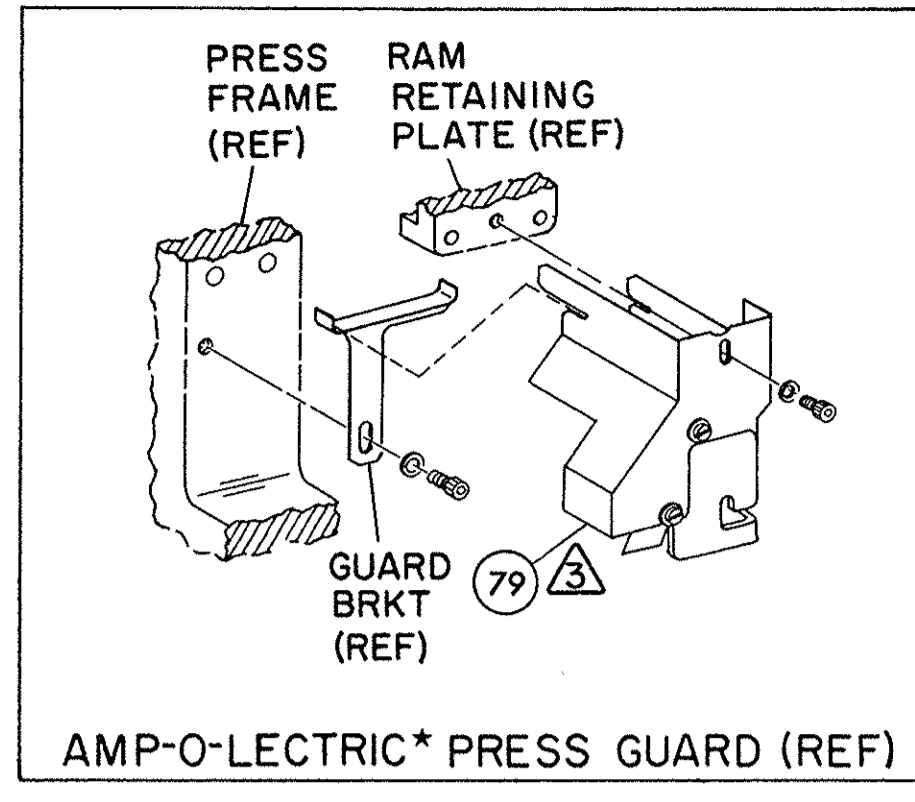
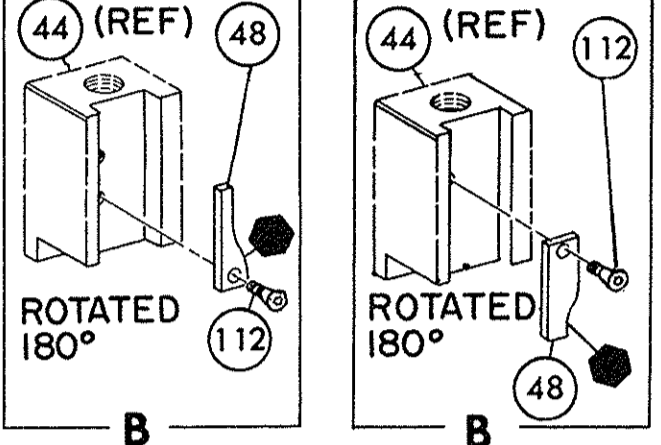
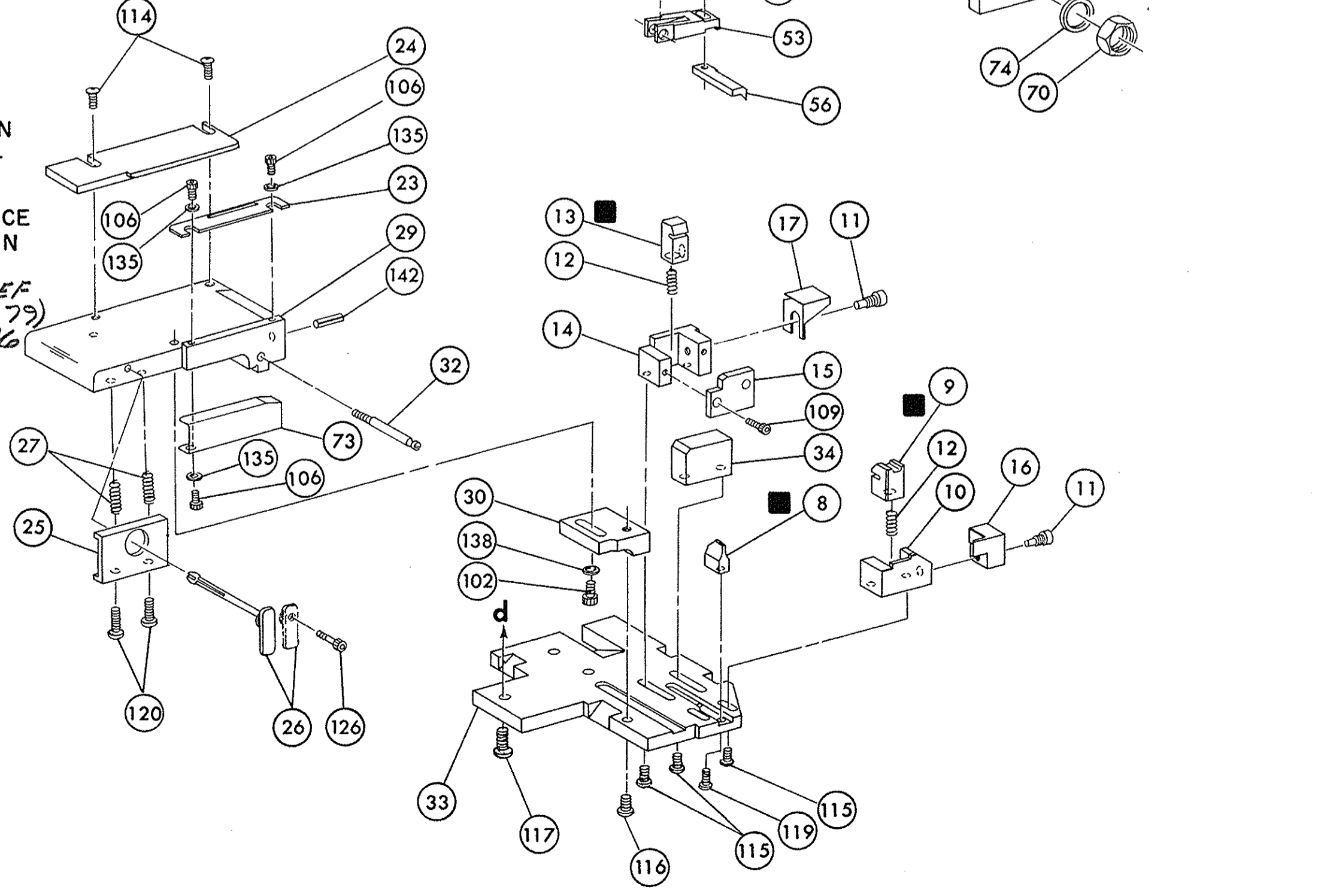


PRE-FEED  $1\frac{1}{8}$ " STROKE



AMP-O-LECTRIC\* PRESS GUARD (REF)

NOTES:  
 I.- ONLY THE ITEMS WITH QUANTITIES SPECIFIED ON PARTS LIST ARE USED ON THIS APPLICATOR.  
 A- USED IN PLACE OF ITEM 38 WHEN INSULATION CRIMP IS NOT USED.  
 B- GUARD MUST BE IN PLACE WHEN OPERATING APPLICATOR IN AMP-O-LECTRIC PRESS.  
 4. PARTS WITH QTY OF REF SPECIFIED (EXCEPT ITEM 79) ARE USED ON ITEM 46.  
 KEY:  
 ■ - RECOMMENDED SPARE PARTS CUSTOMER RESPONSIBLE FOR REPLACEMENT.  
 ▲ - LUBRICATE DAILY USING NO. 20 MACHINE OIL.



REF	QTY	PART NO	DESCRIPTION	ITEM NO
REF		21045-3	RING, RETAINING 'C' (.187 DIA) FEED FINGER PIN	145
REF		5-21028-1	PIN, SLOT SPR (.125 DIA X .50) ADJ ROD	144
1		4-21028-0	PIN, SLOT SPR (.093 DIA X .75) STR G PLATE	143
REF		1-21030-1	PIN, DOWEL (.187 DIA X .50) LEVER	142
REF		1-21030-6	PIN, DOWEL (.187 DIA X 1.25) HOUSING	141
REF		21024-5	WASHER, LOCK (NO 10) LUB ASSY	140
REF		21024-5	WASHER, LOCK (NO 10) STRIP GUIDE ADJ BLOCK	139
REF		21024-5	WASHER, LOCK (NO 10) ADJ PLATE	138
REF		21024-5	WASHER, LOCK (NO 10) FEED GUIDE ROD	137
REF		21057-2	WASHER, LOCK (NO 4) FRONT STRIP GUIDE	136
REF		21024-4	WASHER, LOCK (NO 8) FEED FINGER	135
REF		21024-4	WASHER, LOCK (NO 8) DEPRESSOR	134
REF		21024-4	WASHER, LOCK (NO 8) STRIPPER	133
REF		21899-4	WASHER, FLAT (5/16 DIA) SCREW ADJ	132
REF		21899-2	WASHER, FLAT (NO 10) LUB ASSY	131
REF		21068-5	NUT, HEX MACH (6-32) HOLDDOWN	130
REF		21068-5	NUT, HEX MACH (6-32) FEED ADJ	129
REF		22353-8	SCR, SHLD. (.187 DIA X .250 LG) DRAG LEVER	128
REF		22353-8	SCR, SHLD. (.187 DIA X .250 LG) DRAG LEVER	127
REF		22353-8	SCR, SHLD. (.187 DIA X .250 LG) DRAG LEVER	126
REF		22353-8	SCR, SHLD. (.187 DIA X .250 LG) DRAG LEVER	125
REF		21009-2	SCR, SKT SET (1/4-20 X .25)(LOC-WEL) RAM	124
REF		3-21064-2	SCR, RD HD MACH (6-32 X 1.50) FEED ADJ	123
REF		2-21002-9	SCR, BUT HD SKT CAP (10-32 X .75) DRAG	122
REF		22733-8	SCR, BUT HD SKT CAP (8-32 X .38)(LOC-WEL) ANVIL	121
REF		2-21002-9	SCR, BUT HD SKT CAP (10-32 X .75) CAP	120
REF		1-24073-9	SCR, BUT HD SKT CAP (1/4-20 X .75) HOUSING	119
REF		2-21002-7	SCR, BUT HD SKT CAP (10-32 X .50) SG ADJ BLOCK	118
REF		2-21002-2	SCR, BUT HD SKT CAP (8-32 X .50) SHEAR	117
REF		2-21002-2	SCR, BUT HD SKT CAP (8-32 X .50) R STRIP GUIDE	116
REF		2-21003-0	SCR, FLAT HD SKT CAP (6-32 X .50) CAM	115
REF		3-21000-4	SCR, SKT HD CAP (10-32 X .38) LUBRICATOR ASSY	114
REF		23030-1	SCR, SKT HD CAP (6-32 X .25)(LOC-WEL) CP DISC	113
REF		2-21000-7	SCR, SKT HD CAP (8-32 X .50) DEPRESSOR	112
REF		2-22603-0	SCR, HEX HD MACH (8-32 X .31) FEED FINGER	111
REF		1-21000-3	SCR, SKT HD CAP (4-40 X .25) F STRIP GUIDE	110
REF		2-21000-7	SCR, SKT HD CAP (8-32 X .50) STRIPPER	109
REF		3-21000-7	SCR, SKT HD CAP (10-32 X .75) FEED ROD GUIDE	108
REF		3-21000-6	SCR, SKT HD CAP (10-32 X .62) FEED ADJ BLOCK	107
REF		3-21000-4	SCR, SKT HD CAP (10-32 X .38) SG ADJ BLOCK	106
REF		3-21000-4	SCR, SKT HD CAP (10-32 X .38) PIVOT BLOCK	105
REF		455755-3	GUARD ASSY	104
REF		1-465184-0	LUBRICATOR ASSY	103
REF		21017-2	SCR, DRIVE (#2 X .19) ID PLATE	102
REF		461264-1	PLATE, ID	101
REF		458109-1	WASHER, SPECIAL	100
REF		454817-3	PLATE, STRIP GUIDE COVER	99
REF		690603-1	SPRING, ASSIST	98
REF		690517-1	SPACER	97
REF		22594-8	NUT, HEX	96
REF		240628-1	PLATE, ADJUSTMENT	95
REF		240626-1	SHAFT, PIVOT	94
REF		240633-1	BUSHING	93
REF		455680-1	LEVER, INTERMEDIATE	92
REF		240629-1	BLOCK, PIVOT	91
REF		240632-2	SCREW, ADJUSTMENT FEED ROD	90
REF		240659-3	PIN, CAM ROLLER	89
REF		240658-1	ROLLER, CAM	88
REF		454398-2	ROD, FEED	87
REF		454178-1	GUIDE, FEED ROD	86
REF		454220-1	CAP, HOUSING	85
REF		454485-1	HOUSING	84
REF		690542-2	PAWL, FEED	83
REF		240624-1	PIN, FEED FINGER	82
REF		691499-1	SPRING, FEED FINGER	81
REF		690541-1	FINGER, FEED	80
REF		455679-1	LEVER, TERMINAL FEED ARM	79
REF		811242-2	BUMPER, HOLDDOWN	78
REF		690753-1	SPACER, TONKER	77
REF		7-21002-9	BOLT, CRIMPER	76
REF		690602-5	CAM PRE FEED $1\frac{1}{2}$ STROKE	75
REF		459456-1	APPLICATOR, BASIC (SUB ASSY)	74
REF		690191-1	PLUG, NYLON	73
REF		455673-1	RAM	72
REF		690125-1	WASHER, LAMINATED	71
REF		690124-1	WASHER, RAM	70
REF		690223-1	DISC, SPACER	69
REF		23241-6	BALL, STEEL	68
REF		690170-1	SPRING, COMPRESSION	67
REF		8-690141-1	DISC, INSULATION	66
REF		22480-5	WASHER, SPRING	65
REF		690212-1	POST, RAM	64
REF		455675-1	SUPPORT, TERMINAL	63
REF		690432-3	PLATE, BASE	62
REF		690432-3	SCREW, ADJUSTMENT	61
REF		455689-1	BLOCK, STRIP GUIDE ADJ	60
REF		458144-5	PLATE, STRIP GUIDE	59
REF		1-455888-0	SPACER, FRONT SHEAR DEPRESSOR	58
REF		1-22284-0	SPRING, DRAG	57
REF		240793-1	LEVER, DRAG RELEASE	56
REF		240792-1	DRAG, STOCK	55
REF		5-690504-0	GUIDE STRIP (REAR)	54
REF		690438-1	GUIDE, STRIP (FRONT)	53
REF		4-22284-9	SPRING, FEED RETURN	52
REF		690472-1	STRIPPER	51
REF		690472-1	HOLDER, TERMINAL	50
REF		690472-1	GUARD, CHIP (REAR)	49
REF		318563-2	GUARD, CHIP (FRONT)	48
REF		690472-1	PLATE, SHEAR (REAR)	47
REF		690472-1	HOLDER, SHEAR (REAR)	46
REF		690472-1	SHEAR, FLOAT (REAR)	45
REF		5-22280-0	SPRING, SHEAR	44
REF		690461-1	STOP, SHEAR	43
REF		690459-9	HOLDER, SHEAR (FRONT)	42
REF		454276-4	SHEAR, FLOAT (FRONT)	41
REF		455658-2	ANVIL	40
REF		690472-1	SPACER, DEPRESSOR (REAR)	39
REF		1-455889-9	DEPRESSOR, SHEAR (REAR)	38
REF		1-455889-9	DEPRESSOR, SHEAR (FRONT)	37
REF		1-455889-9	SPACER, TUBULAR, INS CRIMPER	36
REF		1-455889-9	CRIMPER, INSULATION	35
REF		1-455889-9	SPACER, CRIMPER	34
REF		1-455889-9	CRIMPER, WIRE	33

REMARKS	NO	REV
APPL USED ON MACHINE PART NO	MACH SERIAL NO	DISTRIBUTION
CUSTOMER NAME	APPL SERIAL NO	ORIGINAL
ADDRESS	PURCHASE ORDER	CUSTOMER COPY
CITY	ENG APP	FIELD ENG COPY

CRIMPING DATA				APPLICATOR WILL APPLY	
PAD LTR	CRIMP HEIGHT	WIRE SIZE	WIRE LENGTH	62276	
A	.070	14	.185-.215		
B	.060	16	.185-.215		
C	.054	18	.185-.215		
D	NOT USED	USED	.185-.215		
CRIMP	SIZE	TYPE	FEED	APPL INST	
WIRE	110	F	.620	A18040	
INSUL					
WIRE RANGE	INSULATION RANGE		PRESS NO	625935-5	
14-18					

REMARKS: AMP-O-LECTRIC PRE FEED

SET UP GAGE 10-1 4586371744

APPROVED: [Signature]

DATE: 5/1/82

LOC: D NO: 466116-2

NAME: MINIATURE QUICK CHANGE APPLICATOR

APPLICATOR: SIDE FEED (PIGGY BACK FASTON)

REV	DATE	DESCRIPTION
1	5/1/82	INITIAL RELEASE
2	5/1/82	REVISED TO ADD PARTS LIST
3	5/1/82	REVISED TO ADD PARTS LIST
4	5/1/82	REVISED TO ADD PARTS LIST
5	5/1/82	REVISED TO ADD PARTS LIST
6	5/1/82	REVISED TO ADD PARTS LIST
7	5/1/82	REVISED TO ADD PARTS LIST
8	5/1/82	REVISED TO ADD PARTS LIST
9	5/1/82	REVISED TO ADD PARTS LIST
10	5/1/82	REVISED TO ADD PARTS LIST

THIS DRAWING IS A CONTROLLED DOCUMENT.

THIS DRAWING IS UNCLASSIFIED. DATE: 10/1/88. BY: [Signature]. ALL RIGHTS RESERVED. COPYRIGHT 1988.

DIST 66

\* Trademark of AMP Incorporated