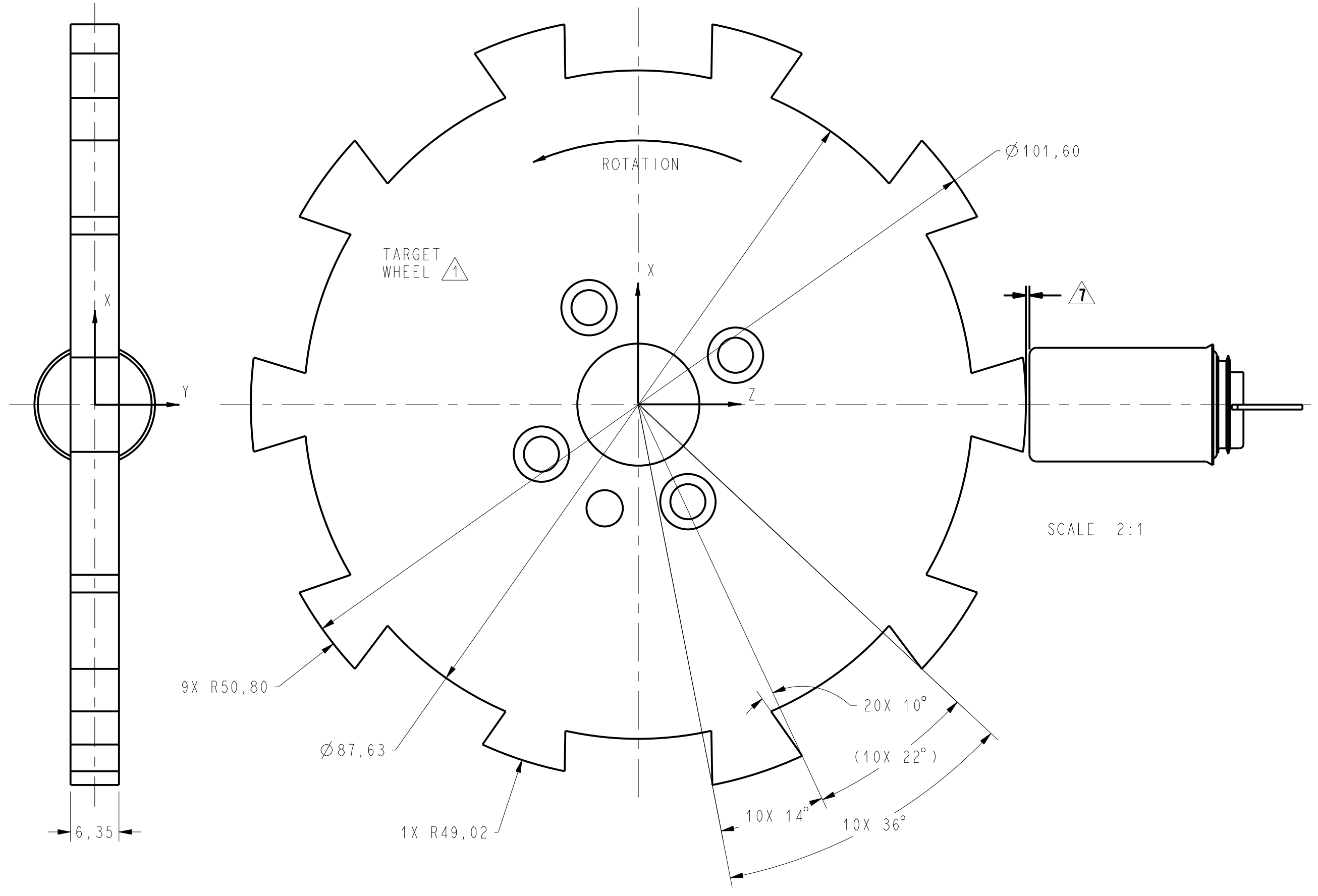
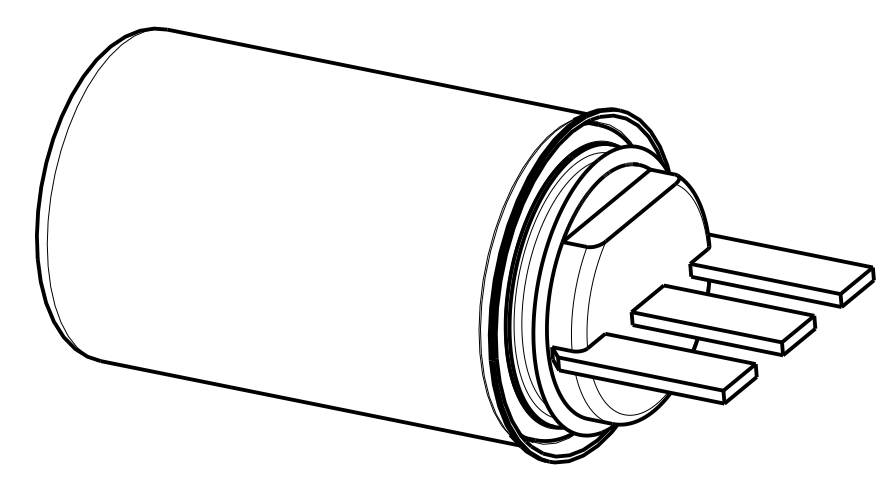
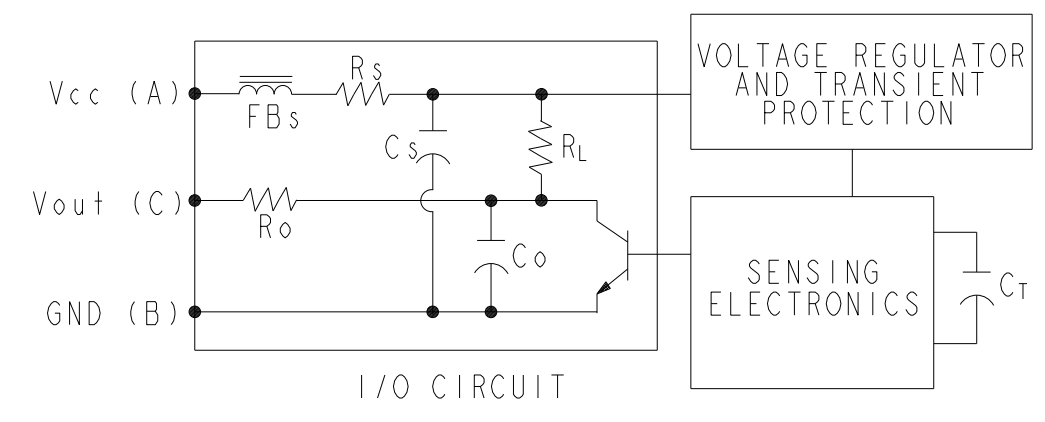


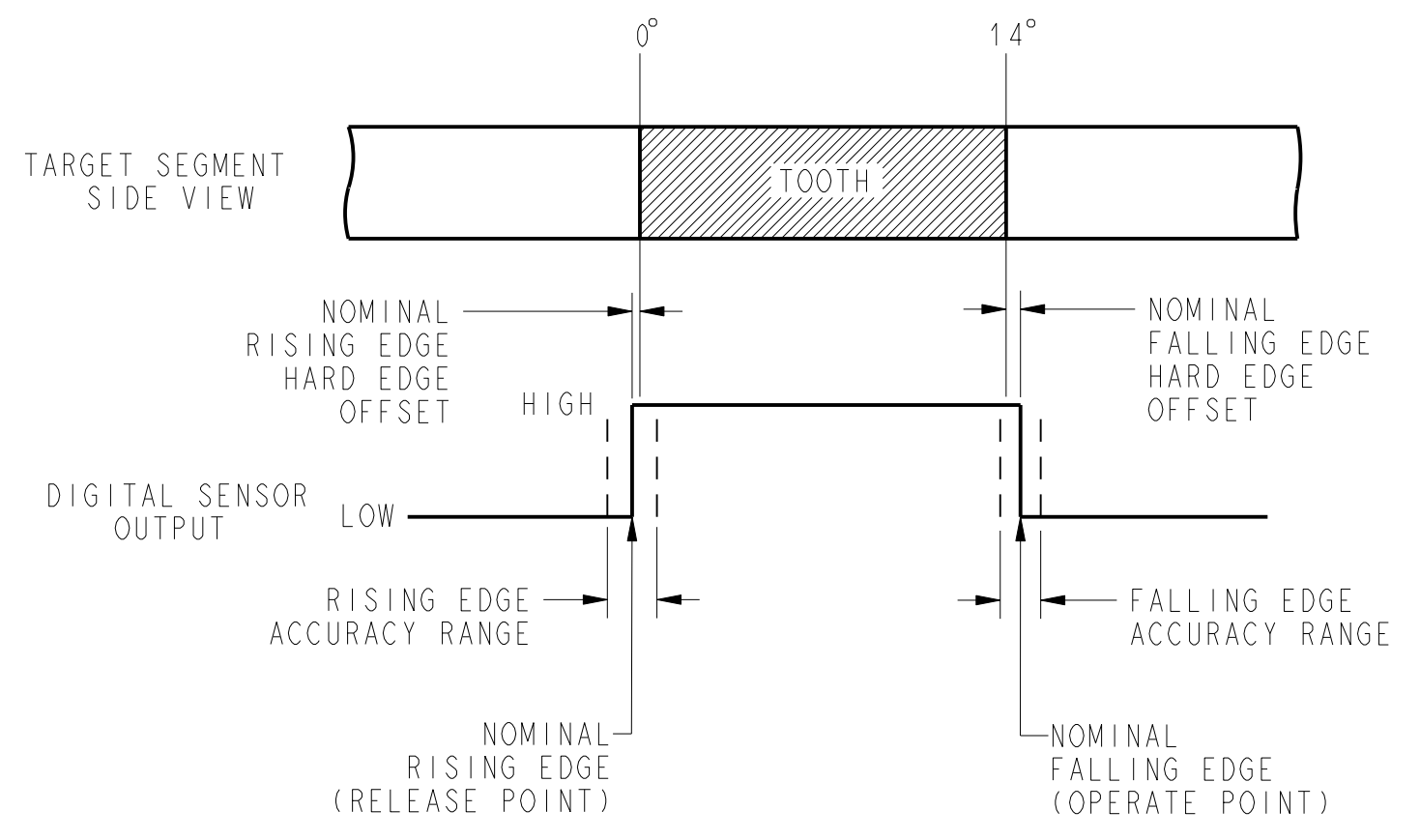
REV	DOCUMENT	CHANGED BY	CHECK
1	DR-5297	TRF 21DEC99	SAV
2	203030	KED 8MAY01	SAV
3	0005266	AS 13MAY04	AK



COMPONENT	VALUE
FBs	1.6 Ω DC
Rs	10 Ω
Ro	100 Ω
Cs	0.1 μF
Rl	5.1 kΩ
Co	470 pF
Ct	0.39 μF

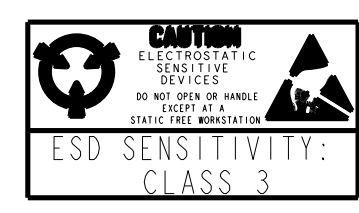
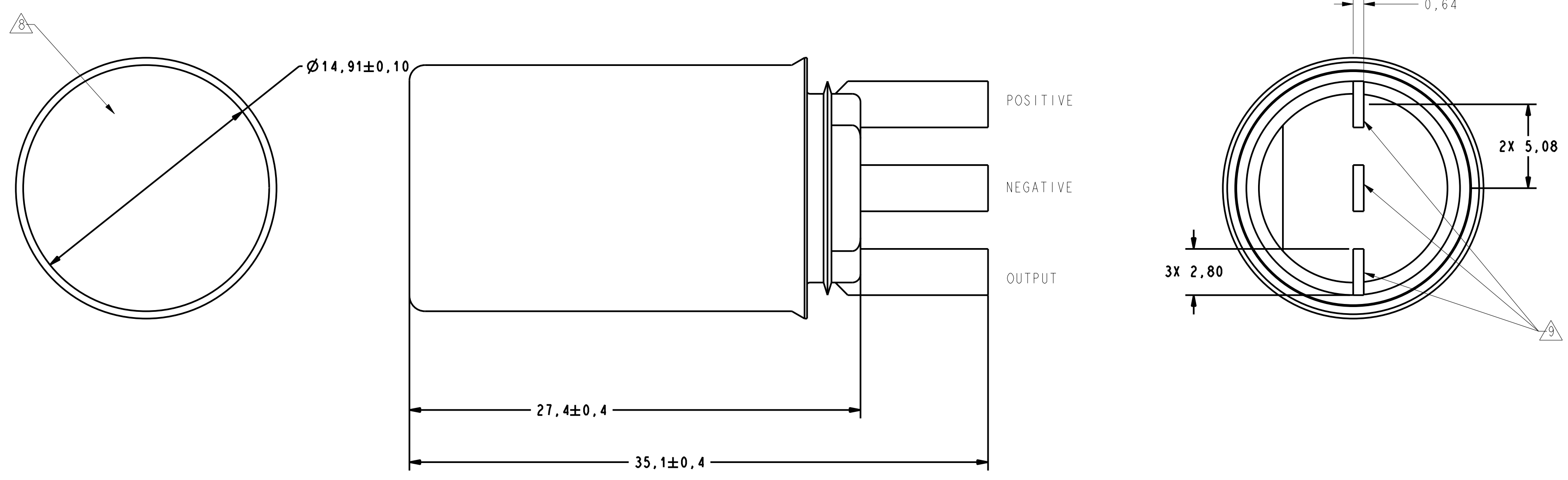


SCALE 3:1



- NOTES
- 1 TARGET SHOULD BE MADE OF GOOD MAGNETIC MATERIAL (C-1018), ANNEAL AFTER MACHINING OR FORMING
  - 2 MAX LIMITS THAT SWITCH WILL WITHSTAND WITHOUT DAMAGE
  - 3 OPERATING SPECIFICATION IS BASED ON TARGET SHOWN IN FIGURE 1 AND WILL VARY WITH TARGET GEOMETRY
  - 4 POSITIVE (+) OPERATE POINTS OCCUR INTO THE SLOT, NEGATIVE (-) OPERATE POINTS OCCUR INTO THE TOOTH
  - 5 POSITIVE (+) RELEASE POINTS OCCUR INTO THE SLOT, NEGATIVE (-) RELEASE POINTS OCCUR INTO THE TOOTH
  - 6 ELECTRICAL CHARACTERISTICS ARE GUARANTEED WITH MAX EXTERNAL LOAD CAPACITANCE ≤ 1000 pfd
  - 7 AIR GAP IS FROM SENSOR FACE TO TARGET
  - 8 CATALOG LISTING, DATE CODE AND SERIAL NUMBER LOCATED IN THIS AREA
  - 9 A METAL TO PLASTIC JOINT WHICH MAY ALLOW LIQUID INTRUSION DURING A LONG TERM SOAK
  - 10 - REFERENCE TS 060 234 FOR THE TEST PLAN
  - 11 - OPERATING SPECIFICATION RANGE WILL BE EXPANDED AFTER SENSOR IS EXPOSED TO TEMPERATURES ABOVE 150°C
  - 12 - ANY ANOMALIES THAT OCCUR BELOW 3 MHZ ON THE OUTPUT PIN DURING THE RF INJECTION TESTING PER TS 060 234 ARE TO BE USED FOR INFORMATION ONLY

ABSOLUTE MAXIMUM RATINGS					
SUPPLY VOLTAGE	-13.5 TO 26.5 VDC				
STORAGE TEMPERATURE	-40° TO +150°C				
RECOMMENDED ELECTRICAL CONDITIONS					
PARAMETER	CONDITION	MIN	NOM	MAX	UNITS
SUPPLY VOLTAGE (Vcc)		4.5	13.8	16	VDC
EXCURSION SUPPLY VOLTAGE				26.5	VDC
SUPPLY CURRENT	Vcc = 16VDC			21	mA
OUTPUT VOLTAGE	(OUTPUT LOW)			0.4	VDC
RISE TIME	10% TO 90%	15		27	μSEC
FALL TIME	90% TO 10%	0.2		1	μSEC
RECOMMENDED MECHANICAL CONDITIONS					
PARAMETER	CONDITION	MIN	NOM	MAX	UNITS
OPERATING TEMPERATURE	CONTINUOUS	-40		+150	°C
AIR GAP ΔZ		0.1		2.0	mm
AXIAL RUNOUT ΔY		-1.5		1.5	mm
TARGET SPEED		10		6000	RPM
SWITCHING CHARACTERISTICS					
PARAMETER	CONDITION	MIN	NOM	MAX	UNITS
RISE EDGE (RELEASE POINT) ACCURACY	TEMP: -40° TO 150° C AIRGAP: 0.2mm TO 1.5mm SPEED: 30 TO 6000 RPM AXIAL RUNOUT: -1.5mm TO 1.5mm	NOM. - 1.2°	TBD	NOM. + 1.2°	DEGREES ROTATION
FALLING EDGE (OPERATE POINT) ACCURACY	TEMP: -40° TO 150° C AIRGAP: 0.2mm TO 1.5mm SPEED: 30 TO 6000 RPM AXIAL RUNOUT: -1.5mm TO 1.5mm	NOM - 1.0°	TBD	NOM. + 1.0°	DEGREES ROTATION
360° FALLING EDGE INTERVAL REPEATABILITY	RPM ≥ 300 SUPPLY VOLTAGE ≥ 9 Vdc TEMP. ≥ -6°C			0.050°	DEGREES ROTATION (RANGE)



UNLESS OTHERWISE SPECIFIED TOLERANCES ARE:		DRAWN		TRF		21DEC99	
NO PLACE	X	±.040	±1	CHECK	SAV	21DEC99	
ONE PLACE	.X	±.030	±0.4	THIS DRAWING COVERS A PROPRIETARY ITEM AND IS THE PROPERTY OF HONEYWELL. THIS DRAWING IS NOT TO BE COPIED OR USED WITHOUT THE PERMISSION OF HONEYWELL.			
TWO PLACE	.XX	±.015	±0.15	DIMENSIONS ARE TO BE MET BEFORE PROTECTIVE COATINGS ARE APPLIED.			
THREE PLACE	.XXX	±.005	±	TITLE			
ANGLES	±	±	±	GEARTOOTH SENSOR-			
RAW MATERIAL-COMMERCIAL STANDARD	±	±	±	SIZE			
THIRD ANGLE PROJECTION				D			
DRAWING NAME				1GQ8001			
REV				3			
PTC 3D		ASME Y14.5M-1994		SCALE		5:1	
WEIGHT		SHEET		1 OF 1			