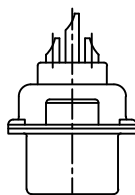
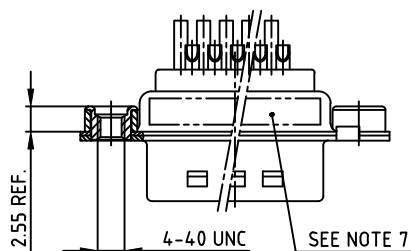
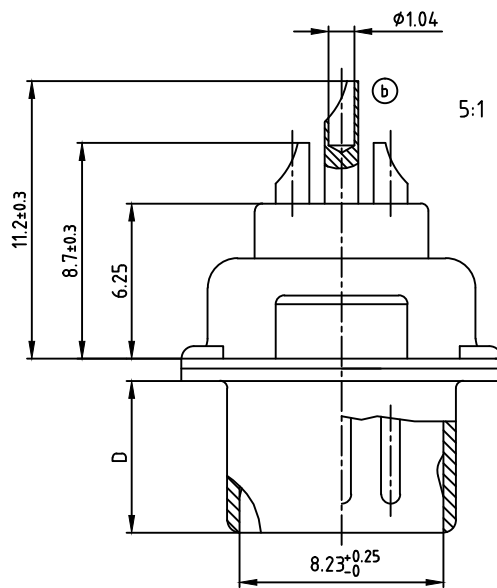
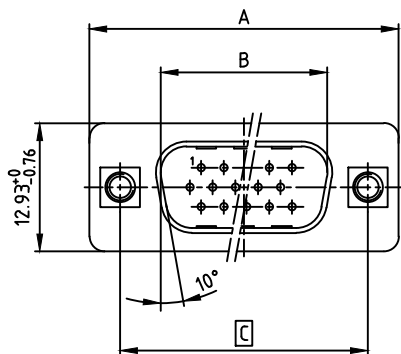


used for: D-SUB HD



POS.	A ^{-0.76}	B ^{+0.25}	C ^{+0.12 / -0.13}	D ^{-0.3}	Part No.
15	31.19	16.79	25.00 ^{+0.12 / -0.13}	6.12	163A16649X
26	39.52	25.12	33.30 ^{+0.15 / -0.1}	6.12	163A16659X
44	53.42	38.84	47.04 ^{+0.13}	5.99	163A16669X
62	69.70	55.30	63.50 ^{+0.13}	5.99	163A16679X

NOTES:

- METALSHELLS: STEEL; min. 315µin TIN over 40-80µin NICKEL
- INSULATORS: PBT GF UL 94 V-0, BLACK
- CONTACTS: COPPER ALLOY
PLATING: GOLD FLASH over NICKEL
SOLDER CUP ACCEPTS CABLE AWG 22
- THREADED INSERT: COPPER ALLOY; min. 200µin TIN over 80µin NICKEL
- COLLAR: COPPER ALLOY; min. 200µin TIN over 80µin NICKEL
- MAXIMUM TORQUE VALUE FOR THREAD: 6in.LB
- CONNECTOR IS PART MARKED: PART-NO. CONEC ABC

Directive 2002/95/EC RoHS compliant

APPROVAL # FREIGABE # DEBLOCAGE # AUTORIZACION # APPROVAL

CUSTOMER APPROVAL DATE:

NAME: TITLE:

COMPANY NAME:

APPROVAL # FREIGABE # DEBLOCAGE # AUTORIZACION # APPROVAL

THIS DRAWING MAY NOT BE COPIED OR REPRODUCED IN ANY WAY, AND MAY NOT BE PASSED ON TO A THIRD PARTY WITHOUT WRITTEN PERMISSION. OWNERSHIP AND COPYRIGHT OF CONEC GmbH DO NOT ALTER CAD DRAWING BY HAND

rev.	description	date	name
1 x b	Ä3088	22.08.2008	Sonne
a	Origin		

tolerance		scale: 2:1 (5:1)
		material: SEE NOTES
2002	date	name
drawn	10.09.	Parei
appd.	10.09.	Mickenbecker
	norm	DIN 41652
	d-old	
dwg no:		AutoCAD 2000
part no:		SEE TABLE
DIN-A		3
sh:		1/1

title: D-SUB HD MALE 15-62pos. SOLDER CUP with threaded insert

16K1A751

