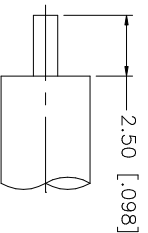
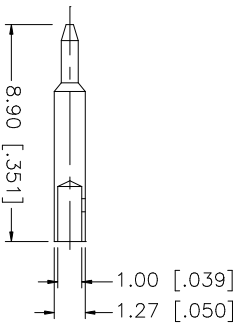
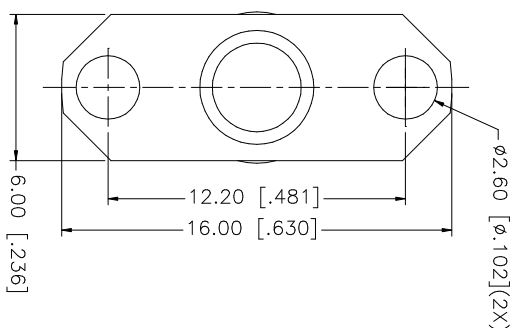
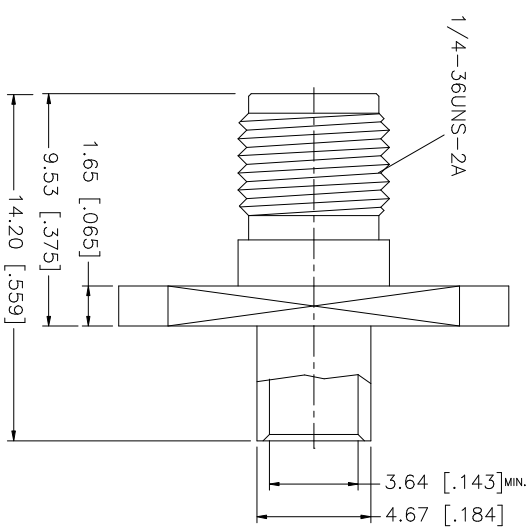
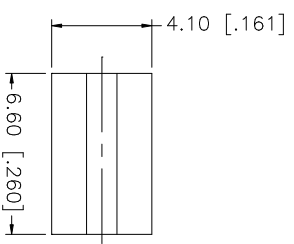


REV.	DATE	DESCRIPTION
NC	08/01/05	INITIAL RELEASE



RECOMMENDED CABLE STRIPPING DIMS.



NOTE: CONTACT PIN TO SOLDER

QTY	FINISH	MATERIAL	DESCRIPTION
1	GOLD	BRASS	CONTACT PIN
1	NATURAL	TEFLON	INSULATOR
1	GOLD	BRASS	BODY
			DESCRIPTION

APPROVALS	DATE
DRAWN G.R.S.	08/01/05
CHECKED	
ISSUED	
SHEET 1 OF 1	

UNLESS OTHERWISE SPECIFIED DIMENSIONS ARE IN MILLIMETERS. DIMENSIONS IN [] ARE IN INCHES AND FOR CUSTOMER REFERENCE ONLY. TOLERANCES FOR MILLIMETERS ARE:
0.5 - 8mm ± 0.20mm
8 - 30mm ± 0.40mm
30 - 120mm ± 0.50mm
UNLESS OTHERWISE SPECIFIED DIMENSIONS ARE IN INCHES. TOLERANCES FOR INCHES ARE:
.020 - .315 ± 0.0007"
.315 - 1.180 ± 0.015"
1.180 - 4.724 ± 0.020"

DO NOT SCALE DRAWING
CAD FILE C:/132/132110RP.DWG
DWG. NO. 132110RP.DWG
REV. NC
SIZE A
SCALE NA

Amphenol Connex

SMA REVERSE POLARITY PANEL JACK
(FOR .141" SEMI-RIGID CABLE)

PART NO. 132110RP