



AK4492

Quality Oriented 32-Bit 2ch DAC

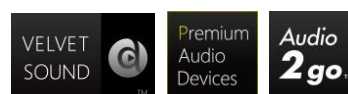
1. General Description

The AK4492 is a new generation Premium 32-bit 2ch DAC with VELVET SOUND™ technology, achieving industry's leading level low distortion characteristics. The OSR-Doubler technology establishes low power consumption and low distortion characteristics. Moreover, the AK4492 has six types of 32-bit digital filters, realizing simple and flexible sound tuning in wide range of applications. The AK4492 accepts up to 768kHz PCM data and 11.2MHz DSD data, ideal for a high-resolution audio source playback that are becoming widespread in smartphone, portable audio player etc.

Application: Smart Cellular Phones, IC-Recorders, Bluetooth Headphones, CD/SACD Players, Network Audios, USB DACs, USB Headphones, Sound Plates/Bars, HD Audio/Voice Conference Systems, AV Receivers

2. Features

- THD+N: -115 dB
- DR, S/N: 127 dB (2 Vrms Output)
- 128 Times Over Sampling
- Sampling Rate: 8kHz ~ 768 kHz
- 32-bit 8x Digital Filter
 - Short Delay Sharp Roll-off, GD=6.0/fs, Ripple: ± 0.005 dB, Attenuation: 100dB
 - Short Delay Slow Roll-off, GD=5.0/fs
 - Sharp Roll-off
 - Slow Roll-off
 - Low-dispersion Short Delay Filter
 - Super Slow Roll-off
- High Tolerance to Clock Jitter
- Low Distortion Differential Output
- 2.8 MHz, 5.6 MHz, 11.2 MHz DSD Input Support
 - Filter1 (fc = 39 kHz, 2.8 MHz mode)
 - Filter2 (fc = 76 kHz, 2.8 MHz mode)
- Digital De-emphasis for 32, 44.1 and 48kHz sampling
- Soft Mute
- Digital Attenuator (255 levels and 0.5dB step + mute)
- Mono Mode
- External Digital Filter Interface
- Audio I/F Format: 24/32 bit MSB justified, 16/20/24/32 bit LSB justified, I²S, DSD, TDM
- Master Clock
 - 8 kHz ~ 32 kHz: 256 fs or 384 fs or 512 fs or 768 fs or 1024 fs or 1152 fs
 - 8 kHz ~ 54 kHz: 256 fs or 384 fs or 512 fs or 768 fs
 - 8 kHz ~ 108 kHz: 256 fs or 384 fs
 - 108 kHz ~ 216 kHz: 128 fs or 192 fs
 - ~384 kHz: 32 fs or 48 fs or 64 fs or 96 fs
 - ~768 kHz: 16 fs or 32 fs or 48 fs or 64 fs
- 3-wire, I²C-bus Interface



- **Power Supply:**
 - (by Internal LDO)TVDD=AVDD= 3.0 ~ 3.6V, VDDL/R= 4.75 ~ 5.25V
 - (by external supply)TVDD=AVDD= (DVDD) ~ 3.6V, DVDD=1.7 ~ 1.98V,
VDDL/R= 4.75 ~ 5.25V
- **Operational Temperature Range: -40 ~ 85 °C**
- **Digital Input Level: CMOS**
- **Package: 96-pin WLCSP**

3. Table of Contents

1.	General Description	1
2.	Features	1
3.	Table of Contents.....	3
4.	Block Diagram.....	5
5.	Pin Configurations and Functions.....	6
	■ Pin Configurations.....	6
	■ Pin Functions	7
	■ Handling of Unused Pin	10
6.	Absolute Maximum Ratings	11
7.	Recommended Operating Conditions	11
8.	Electrical Characteristics	12
	■ Analog Characteristics	12
	■ Sharp Roll-Off Filter Characteristics	15
	■ Slow Roll-Off Filter Characteristics.....	17
	■ Short Delay Sharp Roll-Off Filter Characteristics	19
	■ Short Delay Slow Roll-Off Filter Characteristics	21
	■ Low-dispersion Short Delay Filter Characteristics.....	23
	■ DSD Filter Characteristics.....	25
	■ DC Characteristics	25
	■ Switching Characteristics.....	26
	■ Timing Diagram.....	31
9.	Functional Descriptions.....	36
	■ D/A Conversion Mode (PCM Mode, DSD Mode, EXDP Mode)	38
	■ D/A Conversion Mode Switching Timing	38
	■ System Clock	40
	■ Audio Interface Format	49
	■ Digital Filter	61
	■ De-emphasis Filter (PCM Mode)	62
	■ Output Volume (PCM Mode, DSD Mode, EXDF Mode).....	62
	■ Gain Adjustment Function (PCM Mode, DSD Mode, EXDF Mode)	63
	■ Zero Detection (PCM Mode, DSD Mode, EXDF Mode)	64
	■ L/R Channel Output Signal Select, Phase Inversion Function (PCM Mode, DSD Mode, EXDF Mode)	65
	■ DSD Signal Full Scale (FS) Detection	66
	■ Soft Mute Operation (PCM Mode, DSD Mode, EXDF Mode)	68
	■ LDO.....	69
	■ Shutdown Switch.....	69
	■ Power Up/Down Function	70
	■ Power-OFF/Reset Function	74
	■ Synchronize Function (PCM Mode, EXDF Mode).....	77
	■ Register Control Interface	79
	■ Register Map.....	83
10.	Recommended External Circuits	94
	1. Grounding and Power Supply Decoupling	95
	2. Voltage Reference.....	95
	3. Analog Output.....	95
	4. Connection with AK8157A.....	97
	5. Connection with AK4205	98
11.	Package	99
	■ Outline Dimensions (96-pin WLCSP)	99
	■ Material & Lead Finish	99

■ Marking..... 99

12. Ordering Guide 100

 ■ Ordering Guide..... 100

13. Revision History..... 100

IMPORTANT NOTICE..... 101

4. Block Diagram

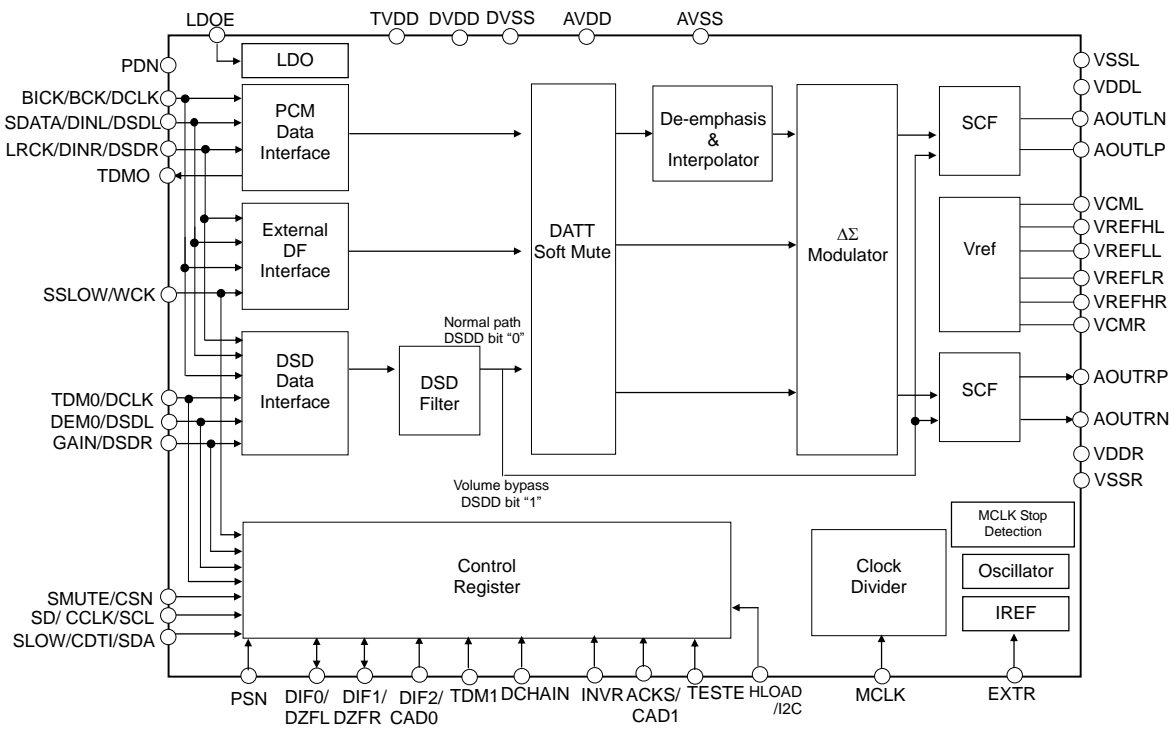
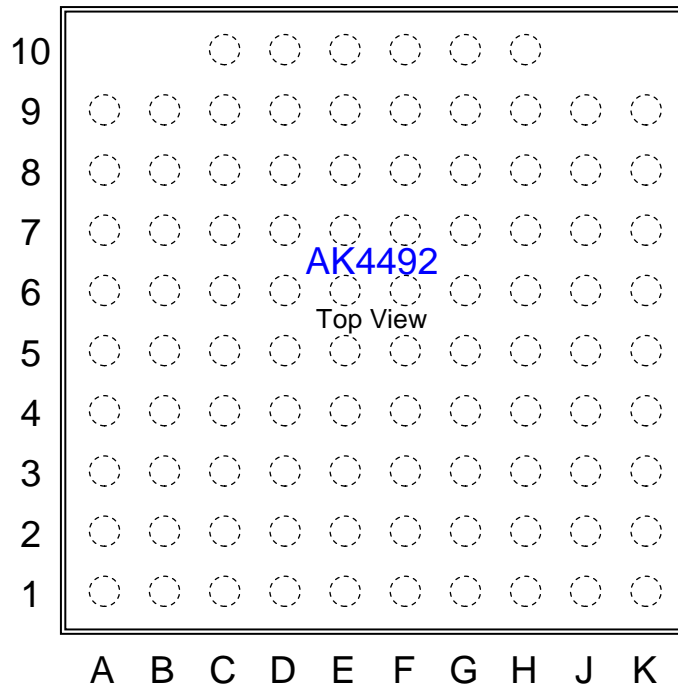


Figure 1. Block Diagram

5. Pin Configurations and Functions

■ Pin Configurations



10			VDDR	VSSR	VSSR	VSSL	VSSL	VDDL		
9	AOUTRN	AOUTRP	VDDR	VDDR	VSSR	VSSL	VDDL	VDDL	AOUTLP	AOUTLN
8	VREFLR	VCMR	NC	NC	NC	NC	NC	NC	VCML	VREFLL
7	VREFLR	NC	NC	NC	NC	NC	NC	NC	NC	VREFLL
6	VREFHR	NC	NC	NC	NC	NC	NC	NC	NC	VREFHL
5	VREFHR	TESTE	NC	NC	NC	NC	NC	NC	EXTR	VREFHL
4	INVR	DCHAIN	NC	NC	NC	NC	NC	NC	AVSS	AVDD
3	TDM0/ DCLK	TDM1	NC	PSN	NC	NC	NC	LDOE	MCLK	DVDD
2	ACKS/ CAD1	GAIN/ DSDR	HLOAD/ I2C	DIF2/ CAD0	SD/ CCLK/ SCL	TDM0	SSLOW/ WCK	PDN	TVDD	DVSS
1	NC	DEM0/ DSDL	DIF1/ DZFR	DIF0/ DZFL	SLOW/ CDTI/ SDA	SMUTE/ CSN	LRCK/ DINR/ DSDR	SDATA/ DINL/ DSDL	BICK/ BCK/ DCLK	NC
	A	B	C	D	E	F	G	H	J	K

Figure 2. Pin Configurations

The exposed pad on the bottom surface of the package must be connected to VSS.

■ Pin Functions

No.	Pin Name	I/O	Protection Diode	Function
A2	ACKS	I	TVDD/DVSS	Auto Setting Mode Select Pin in Pin Control Mode (PSN pin = "H") "L": Manual Setting Mode, "H": Auto Setting Mode
	CAD1	I		Chip Address 1 Pin in Register Control Mode (PSN pin = "L")
A3	TDM0	I	TVDD/DVSS	TDM Mode Select Pin in Pin Control mode (PSN pin="H")
	DCLK	I		DSD Clock Pin in DSD Mode (PSN pin="L", DSDPATH bit = "0")
A4	INVR	I	TVDD/DVSS	Rch signal Invert pin in Pin Control Mode
A5	VREFHR	I	VDDR/VSSR	Rch High Level Voltage Reference Input Pin
A6	VREFHR	I	VDDR/VSSR	Rch High Level Voltage Reference Input Pin
A7	VREFLR	I	VDDR/VSSR	Rch Low Level Voltage Reference Input Pin
A8	VREFLR	I	VDDR/VSSR	Rch Low Level Voltage Reference Input Pin
A9	AOUTRN	O	VDDR/VSSR	Rch Negative Analog Output Pin
B1	DEM0	I	TVDD/DVSS	De-emphasis Enable 0 Pin in Pin Control Mode (PSN pin="H")
	DSDL	I		DSD Lch Data Input Pin in DSD Mode (PSN pin = "L", DSDPATH bit = "0")
B2	GAIN	I	TVDD/DVSS	Output Gain Control Pin in Pin Control Mode (PSN pin = "H") "L": Output Level 2.8 Vpp, "H": Output Level 3.75 Vpp
	DSDR	I		DSD Rch Data Input Pin in DSD Mode (PSN pin = "L", DSDPATH bit = "0")
B3	TDM1	I	TVDD/DVSS	TDM Mode Select Pin in Pin Control Mode
B4	DCHAIN	I	TVDD/DVSS	Daisy Chain Mode Select Pin in Pin Control Mode
B5	TESTE	I	TVDD/DVSS	Test mode Enable Pin (Internal pull-down pin)
B8	VCMR	I	VDDR/VSSR	Right channel Common Voltage Pin, Normally connected to VREFLR with a 1uF electrolytic cap. This pin is inhibited to connect other devices.
B9	AOUTRP	O	VDDR/VSSR	Rch Positive Analog Output Pin
C1	DIF1	I	TVDD/DVSS	Digital Input Format 1 Pin in Pin Control Mode (PSN pin = "H")
	DZFR	O		Rch Zero Input Detect Pin in Register Control Mode (PSN pin = "L") (Internal pull-down pin)
C2	HLOAD	I	TVDD/DVSS	Heavy Load Mode Enable Pin in Pin Control Mode (PSN pin = "H") "L": Normal Drive Mode, "H": Heavy Load Drive Mode
	I2C	I		Resister Control Interface Pin in Register Control Mode (PSN pin = "L") "L": 3 Wire Serial Mode, "H": I ² C-Bus Mode
C9	VDDR	-	-	Rch Analog Power Supply Pin
C10	VDDR	-	-	Rch Analog Power Supply Pin
D1	DIF0	I	TVDD/DVSS	Digital Input Format 0 Pin in Pin Control Mode (PSN pin = "H")
	DZFL	O		Lch Zero Input Detect Pin in Register Control Mode (PSN pin="L") (Internal pull-down pin)
D2	DIF2	I	TVDD/DVSS	Digital Input Format 2 Pin in Pin Control Mode (PSN pin = "H")
	CAD0	I		Chip Address 0 Pin in Register Control Mode (PSN pin = "L")
D3	PSN	I	TVDD/DVSS	Pin Control Mode or Register Control Mode Select Pin (Internal pull-down pin) "L": Register Control Mode, "H": Pin Control Mode
D9	VDDR	-	-	Rch Analog Power Supply Pin
D10	VSSR	-	-	Analog Ground Pin

No.	Pin Name	I/O	Protection Diode	Function
E1	SLOW	I	- /DVSS	Digital Filter Select Pin in Pin Control Mode (PSN pin = "H")
	CDTI	I		Control Data Input Pin in Register Control Mode (PSN pin = "L", I2C pin = "L")
	SDA	I/O		Control Data Input Pin (PSN pin = "L", I2C pin = "H")
E2	SD	I	- /DVSS	Digital Filter Select Pin in Pin Control Mode (PSN pin = "H")
	CCLK	I		Control Data Clock Pin in Register Control Mode (PSN pin = "L", I2C pin = "L")
	SCL	I		Control Data Clock Input Pin (PSN pin = "L", I2C pin = "H")
E9	VSSR	-	-	Analog Ground Pin
E10	VSSR	-	-	Analog Ground Pin
F1	SMUTE	I	TVDD/DVSS	Soft Mute Pin in Pin Control Mode (PSN pin = "H") When this pin is changed to "H", soft mute cycle is initiated. When returning "L", the output mute releases.
	CSN	I		Chip Select Pin in Register Control Mode (PSN pin = "L", I2C pin = "L") This Pin should be connected to DVSS (PSN pin = "L", I2C pin = "H")
F2	TDMO	O	TVDD/DVSS	Audio Data Onput in Daisy Chain Mode (Internal pull-down pin)
F9	VSSL	-	-	Analog Ground Pin
F10	VSSL	-	-	Analog Ground Pin
G1	LRCK	I	TVDD/DVSS	L/R Clock Pin in PCM Mode
	DINR	I		Rch Audio Data Input Pin in EXDF Mode
	DSDR	I		DSD Rch Data Input Pin in DSD Mode (DSDPATH bit = "1")
G2	SSLOW	I	TVDD/DVSS	Digital Filter Select Pin in Pin Control Mode (PSN pin="H")
	WCK	I		Word Clock input Pin in EXDF Mode (PSN pin = "L")
G9	VDDL	-	-	Lch Analog Power Supply Pin
G10	VSSL	-	-	Analog Ground Pin
H1	SDATA	I	TVDD/DVSS	Audio Data Input Pin in PCM Mode
	DINL	I		Lch Audio Data Input Pin in EXDF Mode
	DSDL	I		DSD Lch Data Input Pin in DSD Mode (DSDPATH bit = "1")
H2	PDN	I	TVDD/DVSS	Power-Up, Power-Down Pin When at "L", the AK4492 is in power-down mode and is held in reset. The AK4492 must always be reset upon power-up.
H3	LDOE	I	TVDD/DVSS	Internal LDO Enable Pin. "L": Disable, "H": Enable
H9	VDDL	-	-	Lch Analog Power Supply Pin
H10	VDDL	-	-	Lch Analog Power Supply Pin
J1	BICK	I	TVDD/DVSS	Audio Data Clock Pin in PCM Mode
	BCK	I		Audio Data Clock Pin in EXDF Mode
	DCLK	I		DSD Clock Pin in DSD Mode (DSDPATH bit = "1")
J2	TVDD	-	-	Digital Power Supply Pin. LDOE pin = "L": (DVDD) ~ 3.6 V / LDOE pin = "H": 3.0 ~ 3.6V
J3	MCLK	I	AVDD/AVSS	Master Clock Input Pin
J4	AVSS	-	-	Analog Ground Pin
J5	EXTR	I	VDDL/VSSL	External Resistor Connect Pin Rext=33 kΩ(±1 %, Note 1) toAVSS
J8	VCML	-	VDDL/VSSL	Left channel Common Voltage Pin, Normally connected to VREFLL with a 1 uF electrolytic cap. This pin is inhibited to connect other devices.
J9	AOUTLP	O	VDDL/VSSL	Lch Positive Analog Output Pin

No.	Pin Name	I/O	Protection Diode	Function
K2	DVSS	-	-	Digital Ground Pin
K3	DVDD	O	-	(LDOE pin = "H") LDO Output Pin, This pin should be connected to DVSS with 1.0 μ F. This pin is inhibited to connect other devices.
		-		(LDOE pin = "L") 1.8 V Power Input Pin
K4	AVDD	-	-	Analog Power Supply Pin. LDOE pin = "L": (DVDD) ~ 3.6 V / LDOE pin = "H": 3.0 ~ 3.6 V
K5	VREFHL	I	VDDL/VSSL	Lch High Level Voltage Reference Input Pin
K6	VREFHL	I	VDDL/VSSL	Lch High Level Voltage Reference Input Pin
K7	VREFLL	I	VDDL/VSSL	Lch Low Level Voltage Reference Input Pin
K8	VREFLL	I	VDDL/VSSL	Lch Low Level Voltage Reference Input Pin
K9	AOUTLN	O	VDDL/VSSL	Lch Negative Analog Output Pin

Note 1. It is recommended to use a resistor with 0.1% absolute error in Fs Auto Detect Mode.

Note 2. All input pins except for internal pull-up/down pins must not be left floating.

Note 3. Reset by PDN pin when changing control mode(Pin Control \Leftrightarrow Register Control) by PSN pin.

Note 4. PCM mode, DSD mode and EXDF mode are controlled by register settings.

■ Handling of Unused Pin

Unused I/O pins must be connected appropriately.

(1) Pin Control Mode (PCM mode only)

Classification	Pin Name	Status
Analog	AOUTLP, AOUTLN, AOUTRP, AOUTRN	Open
	TESTE	Connect to AVSS or Open

(2) Resister Control Mode

1. PCM Mode

Classification	Pin Name	Status
Analog	AOUTLP, AOUTLN, AOUTRP, AOUTRN	Open
	TESTE	Connect to AVSS or Open
Digital	DCLK, DSDL, DSDR, WCK, TDM1, DCHAIN, INVR	Connect to DVSS
	TDMO, DZFR, DZFL	Open
	CSN	Connect to DVSS (I2C pin = "H")

2. DSD Mode

DSDPATH bit = "0"

Classification	Pin Name	Status
Analog	AOUTLP, AOUTLN, AOUTRP, AOUTRN	Open
	TESTE	Connect to AVSS or Open
Digital	WCK, TDM1, DCHAIN, INVR	Connect to DVSS
	TDMO, DZFR, DZFL	Open
	CSN	Connect to DVSS (I2C pin = "H")

DSDPATH bit = "1"

Classification	Pin Name	Status
Analog	AOUTLP, AOUTLN, AOUTRP, AOUTRN	Open
	TESTE	Connect to AVSS or Open
Digital	DCLK, DSDL, DSDR, WCK, TDM1, DCHAIN, INVR	Connect to DVSS
	TDMO, DZFR, DZFL	Open
	CSN	Connect to DVSS (I2C pin = "H")

3. EXDF Mode

Classification	Pin Name	Status
Analog	AOUTLP, AOUTLN, AOUTRP, AOUTRN	Open
	TESTE	Connect to AVSS or Open
Digital	DCLK, DSDL, DSDR, TDM1, DCHAIN, INVR	Connect to DVSS
	TDMO, DZFR, DZFL	Open
	CSN	Connect to DVSS (I2C pin = "H")

4. Pull-up, Pull-down Pin List

Classification	Pin Name	Status
Pull-down pin (typ = 100 kΩ)	TDMO, DZFL, DZFR, PSN	DVSS
	TESTE	DVSS

6. Absolute Maximum Ratings

(AVSS = DVSS = VSSL = VSSR = VREFLL = VREFLR = 0 V; [Note 5](#))

Parameter		Symbol	Min.	Max.	Unit
Power Supplies:	Digital I/O	TVDDam	-0.3	6.0	V
	Digital Core	DVDDam	-0.3	2.5	V
	Clock Ineterface	AVDDam	-0.3	6.0	V
	Analog	VDDL/Ram	-0.3	6.0	V
	AVSS – DVSS (Note 6)	ΔGND	-	0.3	V
Input Current, Any Pin Except Supplies		IIN	-	±10	mA
Digital Input Voltage (Note 7)		VIND	-0.3	(TVDD+0.3) or 6.0	V
Ambient Temperature (Power supplied)		Ta	-40	85	°C
Storage Temperature		Tstg	-65	150	°C

Note 5. All voltages with respect to ground.

Note 6. AVSS, DVSS, VSSL and VSSR must be connected to the same analog ground plane.

Note 7. Max value of VIND is lower either of (TVDD + 0.3) or 6.0V.

**WARNING: Operation at or beyond these limits may result in permanent damage to the device.
Normal operation is not guaranteed at these extremes.**

7. Recommended Operating Conditions

(AVSS = DVSS = VSSL = VSSR = VREFLL = VREFLR = 0 V; [Note 5](#))

Parameter		Symbol	Min.	Typ.	Max.	Unit
Power Supplies	■ LDOE pin = "L"					
	Digital I/O	TVDD	DVDD	1.8	3.6	V
	Clock Ineterface	AVDD	DVDD	1.8	3.6	V
	Digital Core	DVDD	1.7	1.8	1.98	V
	Analog	VDDL/R	4.75	5.0	5.25	V
	■ LDOE pin = "H"					
	Digital I/O	TVDD	3.0	3.3	3.6	V
Clock Ineterface	AVDD	3.0	3.3	3.6	V	
Analog	VDDL/R	4.75	5.0	5.25	V	
Voltage Reference (Note 8)	"H" voltage reference	VREFHL/R	VDDL/R-0.5	-	VDDL/R	V
	"L" voltage reference	VREFLL/R	-	VSSL/R	-	V

Note 5. All voltages with respect to ground.

Note 8. The analog output voltage scales with the voltage of (VREFHL/R – VREFLL/R).

Note 9. TVDD and AVDD must be connected to the same ground plane and powered up at the same time.

When not using the LDO (LDOE pin = "L"), all power supplies (DVDD (1.8V), TVDD and AVDD (3.3V) and VDDL/R (5V)) should be powered up at the same time or sequentially in the order of 3.3V (TVDD, AVDD), 1.8V (DVDD) and 5V (VDDL/R).

Note 10. The internal LDO outputs DVDD (1.8V) when the LDOE pin = "H". 3.3V (TVDD and AVDD) power supplies must be powered up before or at the same time with 5V (VDDL/R) power supplies when the LDOE pin = "H".

* AKM assumes no responsibility for the usage beyond the conditions in this data sheet.

8. Electrical Characteristics

■ Analog Characteristics

■ PCM Mode

(Ta = 25 °C; LDOE pin = "L", AVDD = TVDD = DVDD = 1.8 V, AVSS = DVSS = VSSL/R = 0 V; VREFHL/R = VDDL/R = 5.0 V, VREFLL/R = 0V; Input data = 24 bit; BICK = 64 fs; Signal Frequency = 1 kHz; Sampling Frequency = 44.1 kHz; Measurement bandwidth = 20 Hz ~ 20 kHz; 2 Vrms output mode (GC[2:0] bits = "000" or GAIN pin = "L"); Heavy load drive mode = off (HLOAD bit = "0" or HLOAD pin = "L"); unless otherwise specified.)

Parameter	Min.	Typ.	Max.	Unit				
Resolution	-	-	32	Bit				
Dynamic Characteristics (Note 11)								
THD+N	fs=44.1kHz	BW=20kHz	0dBFS	GC[2:0]= "000" or GAIN="L"	-	-115	-	dB
				GC[2:0]="100" or GAIN="H"	-	-111	-	dB
				-60dBFS	-	-61	-	dB
	fs=96kHz	BW=40kHz	0dBFS	-	-111	-	dB	
				-60dBFS	-	-57	-	dB
	fs=192kHz	BW=40kHz	0dBFS	-	-111	-	dB	
			-60dBFS	-	-57	-	dB	
		BW=80kHz	-60dBFS	-	-52	-	dB	
Dynamic Range (-60dBFS with A-weighted)				(Note 12)	-	123	-	dB
				(Note 12)	-	127	-	dB
S/N (A-weighted)	GC[2:0]= "000" or GAIN="L"			(Note 12)	-	123	-	dB
				(Note 12)	-	127	-	dB
	GC[2:0]= "100" or GAIN="H"			(Note 12)	-	125	-	dB
			(Note 12)	-	129	-	dB	
Interchannel Isolation (1kHz)					110	120	-	dB
DC Accuracy (Note 13)								
Interchannel Gain Mismatch					-	0.15	0.3	dB
Gain Drift					-	20	-	ppm/°C
Output Voltage	GC[2:0]="000" or GAIN pin="L" (Note 14)				±2.65	±2.8	±2.95	Vpp
	GC[2:0]="100" or GAIN pin="H" (Note 15)				±3.55	±3.75	±3.95	Vpp
Load Resistance (Note 16)	HLOAD="0" or HLOAD pin="L"				400	-	-	Ω
	HLOAD="1" or HLOAD pin="H"				300	-	-	Ω
Load Capacitance (Note 17)					-	-	25	pF

Note 11. Measured by Audio Precision APx555. Averaging mode.

Note 12. The value of as IC single AK4492. It is a calculated value to remove the noise of External Circuit [Figure 74](#) and the measuring instrument.

Note 13. The value of as IC single AK4492.

Note 14. The analog output voltage with 0dBFS input signal when GC[2:0] bits = "000" or the GAIN pin = "L" is calculated by the following formula.

$$AOUTL/R \text{ (typ. @0dB)} = (AOUT+) - (AOUT-) = \pm 2.8V_{pp} \times (VREFHL/R - VREFLL/R)/5.$$

Note 15. The analog output voltage with 0dBFS input signal when GC[2:0] bits = "100" or the GAIN pin = "H" is calculated by the following formula.

$$AOUTL/R \text{ (typ. @0dB)} = (AOUT+) - (AOUT-) = \pm 3.75V_{pp} \times (VREFHL/R - VREFLL/R)/5.$$

Note 16. The load resistance value with respect to ground. 10.3 System Design Analog Output shows the circuits and the calculataion example.

Note 17. The load capacitance value with respect to ground. Analog characteristics are sensitive to capacitive load that is connected to the output pin. Therefore the capacitive load must be minimized.

Note 18. It is recommended to use a resistor with 0.1% absolute error for the output stage of the adding circuit.

(Ta = 25 °C; LDOE pin = "L", AVDD = TVDD = DVDD = 1.8 V, AVSS = DVSS = VSSL/R = 0 V; VREFHL/R = VDDL/R = 5.0 V, VREFLL/R = 0V; Input data = 24 bit; BICK = 64 fs; Signal Frequency = 1kHz; Sampling Frequency = 44.1kHz; 2 Vrms output mode (GC[2:0] bits = "000" or GAIN pin = "L"); Heavy load drive mode = off(HLOAD bit="0" or HLOAD pin="L"); unless otherwise specified.)

Power Supplies					
Parameter		Min.	Typ.	Max.	Unit
Power Supply Current					
Normal operation (PDN pin = "H")					
VDDL+VDDR		-	27	40	mA
VREFHL+VREFHR		-	1.6	3	mA
AVDD		-	0.4	1.5	mA
TVDD					
LDOE pin = "H"	fs = 44.1 kHz	-	6	9	mA
	fs = 96 kHz	-	10	15	mA
	fs = 192 kHz	-	18	27	mA
LDOE pin = "L"		-	0.3	1.5	mA
DVDD					
LDOE pin = "L"	fs = 44.1 kHz	-	6	9	mA
	fs = 96 kHz	-	10	15	mA
	fs = 192 kHz	-	18	27	mA
Total Idd (fs = 44.1 kHz, LDOE pin = "L")		-	35.4	55	mA
Power down (PDN pin = "L") (Note 19) TVDD + AVDD + VDDL + VDDR + DVDD		-	0.4	100	μA

Note 19. In power down mode, the PSN pin = TVDD and all other digital input pins including clock pins (MCLK, BICK and LRCK) are held to DVSS.

Note 20. The DVDD pin becomes an output pin when the LDOE pin = "H".

■ DSD Mode

(Ta = 25 °C; LDOE pin = "L", AVDD = TVDD = DVDD = 1.8 V; AVSS = DVSS = VSSL/R = 0 V; VREFHL/R = VDDL/R = 5.0 V, VREFLL/R = 0 V; Signal Frequency = 1 kHz; Measurement bandwidth = 20 Hz ~ 20 kHz; External Circuit: [Figure 74](#); 2 Vrms output mode (GC[2:0] bits = "000" or GAIN pin = "L"); unless otherwise specified.)

Parameter			Min.	Typ.	Max.	Unit
Dynamic Characteristics						
THD+N (Note 21)	DSD data stream: 2.8224 MHz	0dB	-	-111	-	dB
	DSD data stream: 5.6448 MHz	0dB	-	-112	-	dB
	DSD data stream: 11.2896 MHz	0dB	-	-107	-	dB
S/N (A-weighted, Normal path) (Note 21)	DSD data stream: 2.8224 MHz	Digital"0" (Note 24)	-	123	-	dB
	DSD data stream: 5.6448 MHz	Digital"0" (Note 24)	-	123	-	dB
	DSD data stream: 11.2896 MHz	Digital"0" (Note 24)	-	123	-	dB
DC Accuracy						
Output Voltage (Normal path)		(Note 25)	±2.65	±2.8	±2.95	Vpp
Output Voltage (Volume Bypass)		(Note 25)	±2.38	±2.5	±2.63	Vpp

Note 21. References values in using AK4137 as the input source. This value does not change by increasing the signal amplitude with gain adjustment function.

Note 22. The peak level of DSD signal should be in the range of 25% ~ 75% duty according to the SACD format book (Scarlet Book).

Note 23. The output level is assumed as 0dB when a 1kHz 25% ~ 75% duty sine wave is input. Click noise may occur if the input signal exceeds 0dB.

Note 24. Digital "0" is a digital zero code pattern ("01101001") according to the SACD format book (Scarlet Book).

Note 25. In case of GC[2:0] = "000" and DSDD bit = "1", the analog output voltage at input signal = 0dB is following equation.

$$A_{OUTL/R} (\text{typ. @0 dB}) = (A_{OUTLP/RP}) - (A_{OUTLN/RN}) = \pm 2.5 V_{pp} \times (V_{REFHL/R} - V_{REFLL/R})/5$$

■ Sharp Roll-Off Filter Characteristics

Sharp Roll-Off Filter Characteristics (fs=44.1kHz)

(Ta = -40~85 °C; VDDL/R = 4.75~5.25 V, AVDD = TVDD = (DVDD) ~ 3.6 V, DVDD = 1.7 ~ 1.98 V; Normal Speed Mode; DEM = OFF; SD bit or SD pin = "0", SLOW bit or SLOW pin = "0", SSLOW bit or SSLOW pin = "0")

Parameter		Symbol	Min.	Typ.	Max.	Unit
Digital Filter						
Frequency	±0.01 dB	-	0		20.0	kHz
Response	-6.0 dB (Note 26)	-	-	22.05	-	kHz
Passband	(Note 27)	PB	0		20.0	kHz
Stopband	(Note 27)	SB	24.1			kHz
Passband Ripple	(Note 28)	PR			±0.005	dB
Stopband Attenuation	(Note 26)	SA	100			dB
Group Delay	(Note 29)	GD	-	29.2	-	1/fs
Digital Filter + SCF (Note 26)						
Frequency Response: 0 ~ 20.0 kHz			-0.7	-	+0.1	dB

Sharp Roll-Off Filter Characteristics (fs=96kHz)

(Ta = -40 ~ 85 °C; VDDL/R = 4.75~5.25 V, AVDD = TVDD = (DVDD) ~ 3.6V, DVDD = 1.7~1.98V; Double Speed Mode; DEM = OFF; SD bit or SD pin = "0", SLOW bit or SLOW pin = "0", SSLOW bit or SSLOW pin = "0")

Parameter		Symbol	Min.	Typ.	Max.	Unit
Digital Filter						
Frequency	±0.01dB	-	0		43.5	kHz
Response	-6.0 dB (Note 26)	-	-	48.0	-	kHz
Passband	(Note 27)	PB	0		43.5	kHz
Stopband	(Note 27)	SB	52.5			kHz
Passband Ripple	(Note 28)	PR			±0.005	dB
Stopband Attenuation	(Note 26)	SA	100			dB
Group Delay	(Note 29)	GD	-	29.2	-	1/fs
Digital Filter + SCF (Note 26)						
Frequency Response: 0 ~ 40.0 kHz			-1.9	-	+0.1	dB

Sharp Roll-Off Filter Characteristics (fs=192kHz)

(Ta = -40 ~ 85 °C; VDDL/R = 4.75~5.25 V, AVDD = TVDD = (DVDD) ~ 3.6 V, DVDD = 1.7~1.98 V; Quad Speed Mode; DEM = OFF; SD bit or SD pin = "0", SLOW bit or SLOW pin = "0", SSLOW bit or SSLOW pin = "0")

Parameter		Symbol	Min.	Typ.	Max.	Unit
Digital Filter						
Frequency	±0.01 dB	-	0		87.0	kHz
Response	-6.0 dB (Note 26)	-	-	96.0	-	kHz
Passband	(Note 27)	PB	0		87.0	kHz
Stopband	(Note 27)	SB	104.9			kHz
Passband Ripple	(Note 28)	PR			±0.005	dB
Stopband Attenuation	(Note 26)	SA	100			dB
Group Delay	(Note 29)	GD	-	29.2	-	1/fs
Digital Filter + SCF (Note 26)						
Frequency Response: 0 ~ 80.0kHz			-5.0	-	+0.1	dB

Note 26. Frequency response refers to the output level (0dB) of a 1kHz, 0dB sine wave input.

Note 27. The passband and stopband frequencies scale with fs. For example, PB=0.4535×fs (@±0.01dB), SB=0.546×fs.

Note 28. The first stage of the Interpolator. This is a passband gain amplitude of the 4 times oversampling filter.

Note 29. The calculating delay time which occurred by digital filtering. This time is from setting the 16/20/24/32 bit data of both channels to the output of analog signal.

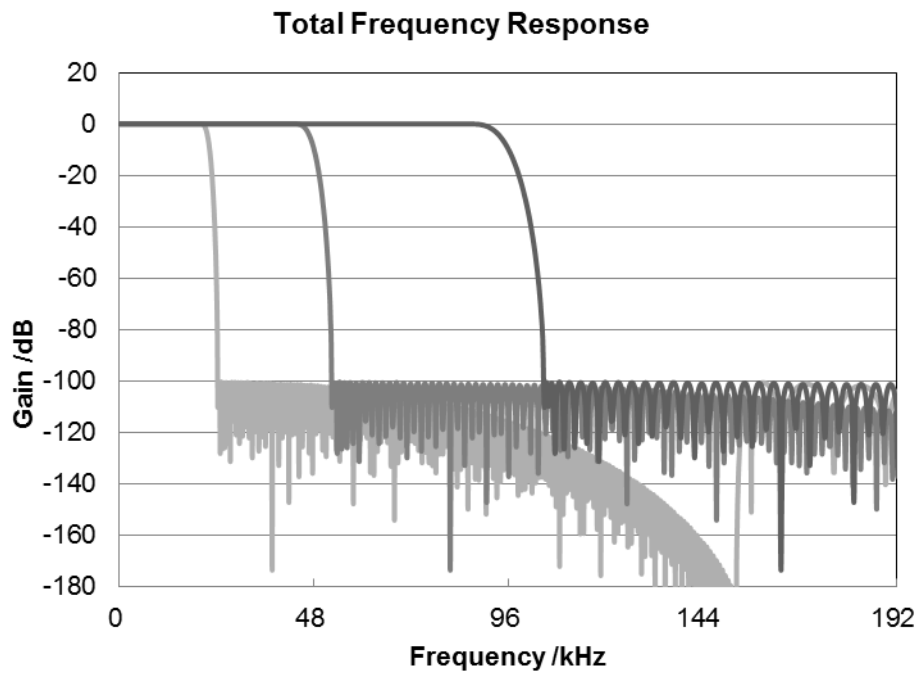


Figure 3. Sharp Roll-off Filter Frequency Response

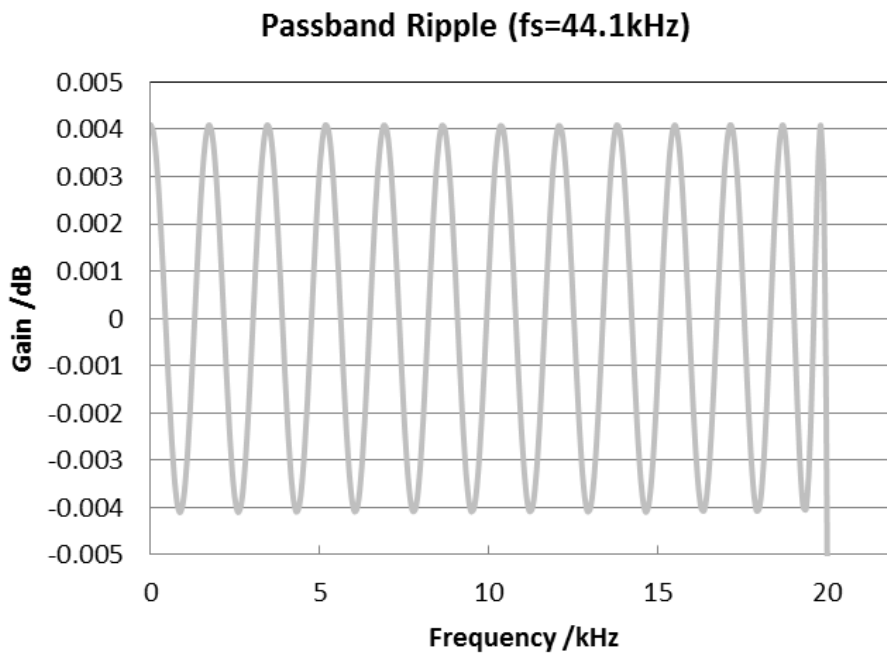


Figure 4. Sharp Roll-off Filter Passband Ripple

■ Slow Roll-Off Filter Characteristics

Slow Roll-Off Filter Characteristics (fs = 44.1kHz)

(Ta = -40 ~ 85 °C; VDDL/R = 4.75 ~ 5.25 V, AVDD = TVDD = (DVDD) ~ 3.6 V, DVDD = 1.7~1.98 V; Normal Speed Mode; DEM = OFF; SD bit or SD pin = "0", SLOW bit or SLOW pin = "1", SSLOW bit or SSLOW pin = "0")

Parameter	Symbol	Min.	Typ.	Max.	Unit
Digital Filter					
Frequency	±0.01dB	-	0		kHz
Response	-6.0dB (Note 26)	-	21.0	8.0	kHz
Passband	(Note 30)	PB	0	8.0	kHz
Stopband	(Note 30)	SB	39.2		kHz
Passband Ripple	(Note 28)	PR		±0.007	dB
Stopband Attenuation	(Note 26)	SA	92		dB
Group Delay	(Note 29)	GD	-	6.5	1/fs
Digital Filter + SCF (Note 26)					
Frequency Response: 0 ~ 20.0 kHz		-5.5	-	+0.1	dB

Slow Roll-Off Filter Characteristics (fs = 96kHz)

(Ta = -40 ~ 85 °C; VDDL/R = 4.75~5.25 V, AVDD = TVDD = (DVDD) ~ 3.6 V, DVDD = 1.7~1.98 V; Double Speed Mode; DEM = OFF; SD bit or SD pin = "0", SLOW bit or SLOW pin = "1", SSLOW bit or SSLOW pin = "0")

Parameter	Symbol	Min.	Typ.	Max.	Unit
Digital Filter					
Frequency	±0.01 dB	-	0	17.6	kHz
Response	-6.0 dB (Note 26)	-	45.6	-	kHz
Passband	(Note 30)	PB	0	17.6	kHz
Stopband	(Note 30)	SB	85.4		kHz
Passband Ripple	(Note 28)	PR		±0.007	dB
Stopband Attenuation	(Note 26)	SA	100		dB
Group Delay	(Note 29)	GD	-	6.5	1/fs
Digital Filter + SCF (Note 26)					
Frequency Response: 0 ~ 40.0 kHz		-5.1	-	+0.1	dB

Slow Roll-Off Filter Characteristics (fs = 192kHz)

(Ta = -40 ~ 85 °C; VDDL/R = 4.75~5.25 V, AVDD = TVDD = (DVDD) ~ 3.6 V, DVDD = 1.7~1.98 V; Quad Speed Mode; DEM = OFF; SD bit or SD pin = "0", SLOW bit or SLOW pin = "1", SSLOW bit or SSLOW pin = "0")

Parameter	Symbol	Min.	Typ.	Max.	Unit
Digital Filter					
Frequency	±0.01 dB	-	0	35.2	kHz
Response	-6.0 dB (Note 26)	-	91.2	-	kHz
Passband	(Note 30)	PB	0	35.2	kHz
Stopband	(Note 30)	SB	170.7		kHz
Passband Ripple	(Note 28)	PR		±0.007	dB
Stopband Attenuation	(Note 26)	SA	100		dB
Group Delay	(Note 29)	GD	-	6.5	1/fs
Digital Filter + SCF (Note 26)					
Frequency Response: 0 ~ 80.0kHz		-8.0	-	+0.1	dB

Note 30. The passband and stopband frequencies scale with fs. For example, PB = 0.1836 × fs (@±0.01dB), SB = 0.8889 × fs.

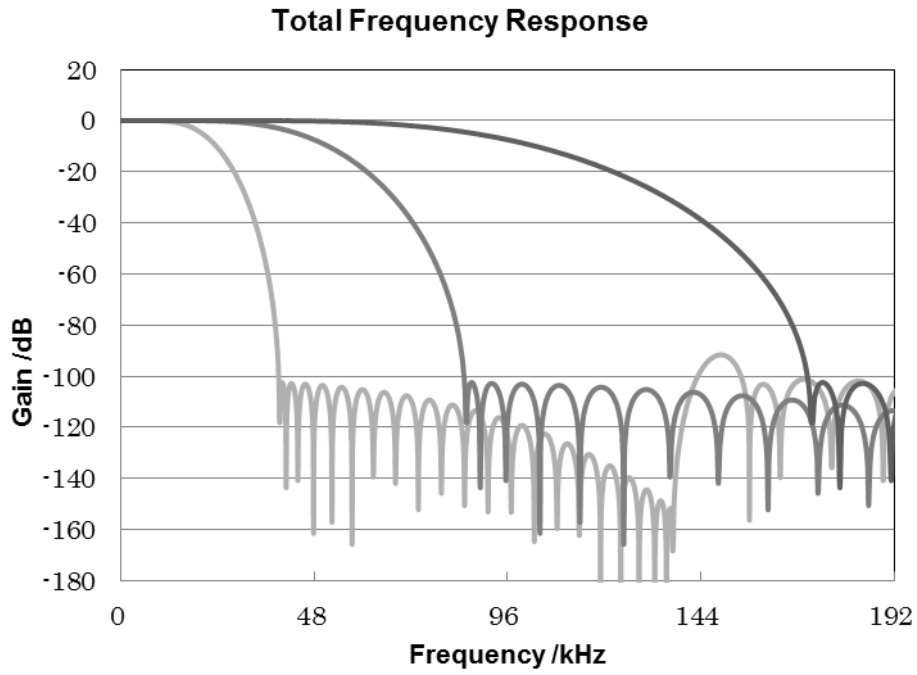


Figure 5. Slow Roll-off Filter Frequency Response

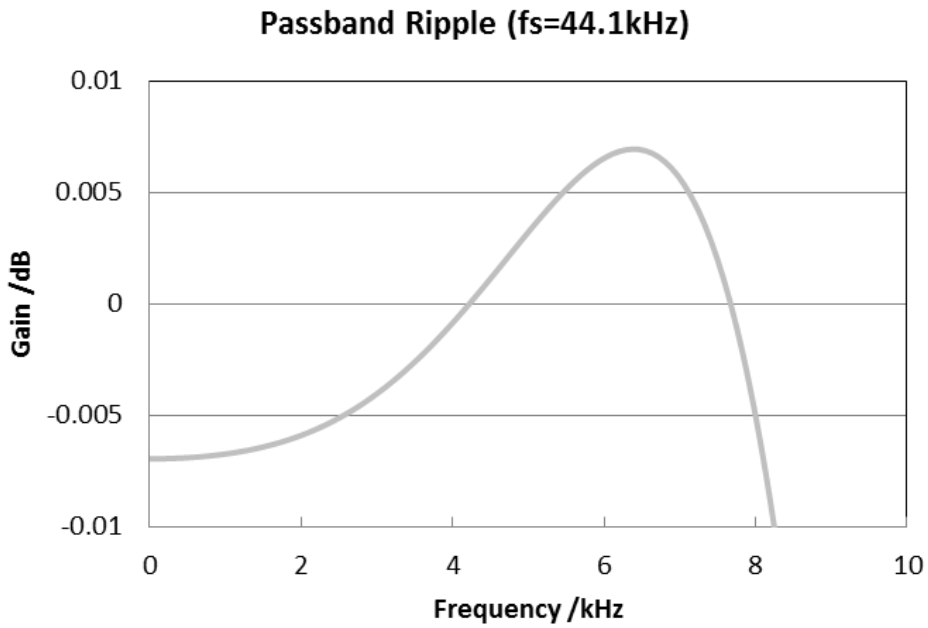


Figure 6. Slow Roll-off Filter Passband Ripple

■ Short Delay Sharp Roll-Off Filter Characteristics

Short Delay Sharp Roll-Off Filter Characteristics (fs = 44.1kHz)

(Ta = -40 ~ 85 °C; VDDL/R = 4.75~5.25 V, AVDD = TVDD = (DVDD) ~ 3.6 V, DVDD = 1.7~1.98 V; Normal Speed Mode; DEM = OFF; SD bit or SD pin = "1", SLOW bit or SLOW pin = "0", SSLOW bit or SSLOW pin = "0")

Parameter	Symbol	Min.	Typ.	Max.	Unit
Digital Filter					
Frequency	±0.01 dB	-	0	20.0	kHz
Responce	-6.0 dB (Note 26)	-	22.05	-	kHz
Passband	(Note 31)	PB	0	20.0	kHz
Stopband	(Note 31)	SB	24.1		kHz
Passband Ripple	(Note 30)	PR		±0.005	dB
Stopband Attenuation	(Note 26)	SA	100		dB
Group Delay	(Note 29)	GD	-	6.0	1/fs
Digital Filter + SCF (Note 26)					
Frequency Response: 0 ~ 20.0 kHz		-0.7	-	+0.1	dB

Short Delay Sharp Roll-Off Filter Characteristics (fs = 96kHz)

(Ta = -40 ~ 85 °C; VDDL/R = 4.75~5.25 V, AVDD = TVDD = (DVDD) ~ 3.6 V, DVDD = 1.7~1.98 V; Double Speed Mode; DEM = OFF; SD bit or SD pin = "1", SLOW bit or SLOW pin = "0", SSLOW bit or SSLOW pin = "0")

Parameter	Symbol	Min.	Typ.	Max.	Unit
Digital Filter					
Frequency	±0.01 dB	-	0	43.5	kHz
Responce	-6.0 dB (Note 26)	-	48.0	-	kHz
Passband	(Note 31)	PB	0	43.5	kHz
Stopband	(Note 31)	SB	52.5		kHz
Passband Ripple	(Note 28)	PR		±0.005	dB
Stopband Attenuation	(Note 26)	SA	100		dB
Group Delay	(Note 29)	GD	-	6.0	1/fs
Digital Filter + SCF (Note 26)					
Frequency Response: 0 ~ 40.0 kHz		-1.9	-	+0.1	dB

Short Delay Sharp Roll-Off Filter Characteristics (fs = 192kHz)

(Ta = -40 ~ 85 °C; VDDL/R = 4.75~5.25 V, AVDD = TVDD = (DVDD) ~ 3.6 V, DVDD = 1.7~1.98 V; Quad Speed Mode; DEM = OFF; SD bit or SD pin = "1", SLOW bit or SLOW pin = "0", SSLOW bit or SSLOW pin = "0")

Parameter	Symbol	Min.	Typ.	Max.	Unit
Digital Filter					
Frequency	±0.01 dB	-	0	87.0	kHz
Responce	-6.0 dB (Note 26)	-	96.0	-	kHz
Passband	(Note 31)	PB	0	87.0	kHz
Stopband	(Note 31)	SB	104.9		kHz
Passband Ripple	(Note 28)	PR		±0.005	dB
Stopband Attenuation	(Note 26)	SA	100		dB
Group Delay	(Note 29)	GD	-	6.0	1/fs
Digital Filter + SCF (Note 26)					
Frequency Response: 0 ~ 80.0 kHz		-5.0	-	+0.1	dB

Note 31. The passband and stopband frequencies scale with fs. For example, PB=0.4535xfs (@±0.01dB), SB=0.546xfs.

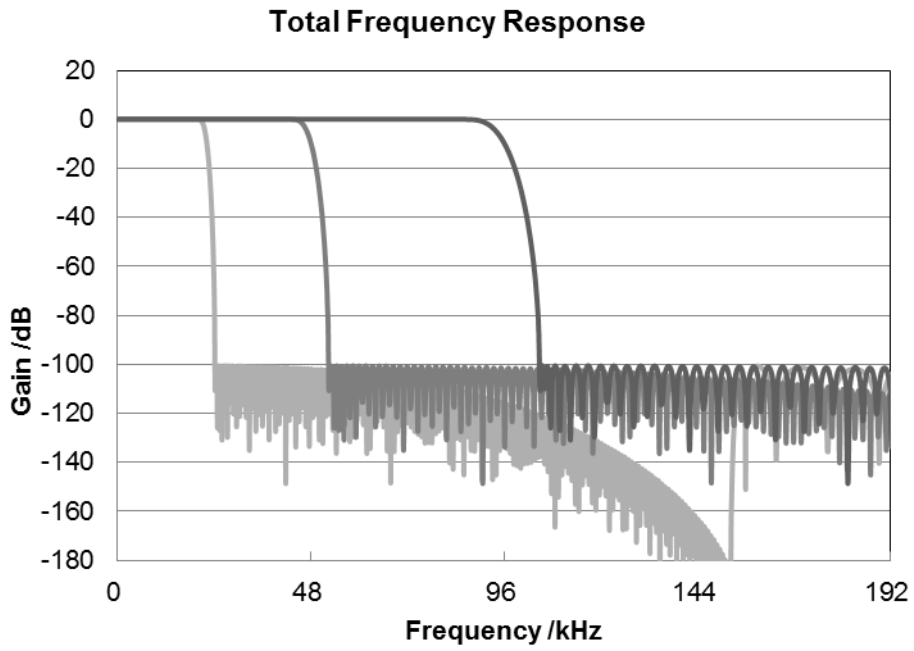


Figure 7. Short Delay Sharp Roll-off Filter Frequency Response

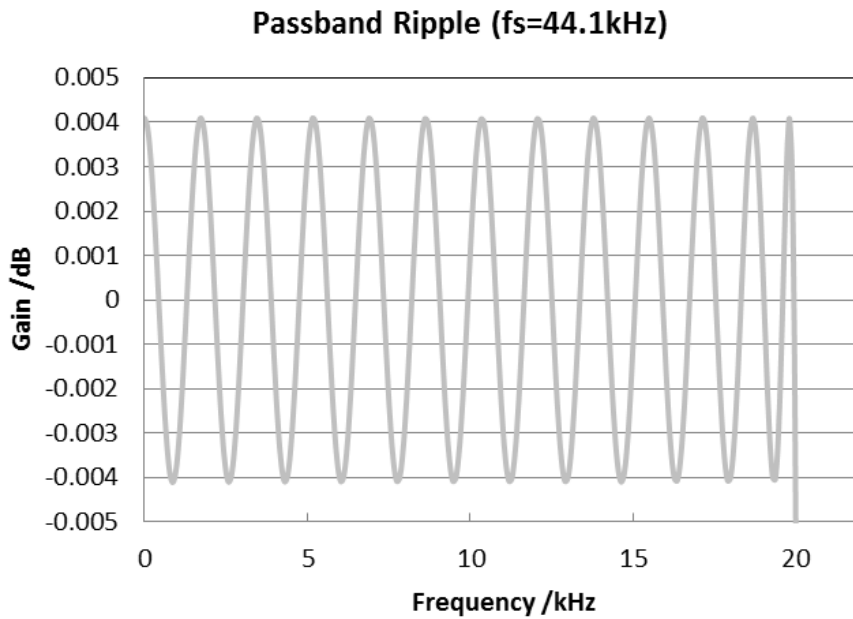


Figure 8. Short Delay Sharp Roll-off Filter Passband Ripple

■ Short Delay Slow Roll-Off Filter Characteristics

Short Delay Slow Roll-Off Filter Characteristics (fs = 44.1kHz)

(Ta = -40 ~ 85 °C; VDDL/R = 4.75~5.25 V, AVDD = TVDD = (DVDD) ~ 3.6 V, DVDD = 1.7~1.98 V; Normal Speed Mode; DEM = OFF; SD bit or SD pin = "1", SLOW bit or SLOW pin = "1", SSLOW bit or SSLOW pin = "0")

Parameter	Symbol	Min.	Typ.	Max.	Unit
Digital Filter					
Frequency	±0.01 dB	-	0		kHz
Response	-6.0 dB (Note 26)	-	21.0	8.0	kHz
Passband	(Note 32)	PB	0	8.0	kHz
Stopband	(Note 32)	SB	39.2		kHz
Passband Ripple	(Note 28)	PR		±0.007	dB
Stopband Attenuation	(Note 26)	SA	92		dB
Group Delay	(Note 29)	GD	5.0	-	1/fs
Digital Filter + SCF (Note 26)					
Frequency Response: 0 ~ 20.0 kHz		-5.5	-	+0.1	dB

Short Delay Slow Roll-Off Filter Characteristics (fs = 96kHz)

(Ta = -40 ~ 85 °C; VDDL/R = 4.75~5.25 V, AVDD = TVDD = (DVDD) ~ 3.6 V, DVDD = 1.7~1.98 V; Double Speed Mode; DEM = OFF; SD bit or SD pin = "1", SLOW bit or SLOW pin = "1", SSLOW bit or SSLOW pin = "0")

Parameter	Symbol	Min.	Typ.	Max.	Unit
Digital Filter					
Frequency	±0.01 dB	-	0		kHz
Response	-6.0 dB (Note 26)	-	45.6	17.6	kHz
Passband	(Note 32)	PB	0	17.6	kHz
Stopband	(Note 32)	SB	85.4		kHz
Passband Ripple	(Note 28)	PR	-	±0.007	dB
Stopband Attenuation	(Note 26)	SA	100		dB
Group Delay	(Note 29)	GD	5.0	-	1/fs
Digital Filter + SCF (Note 26)					
Frequency Response: 0 ~ 40.0 kHz		-5.1	-	+0.1	dB

Short Delay Slow Roll-Off Filter Characteristics (fs = 192kHz)

(Ta = -40 ~ 85 °C; VDDL/R = 4.75 ~ 5.25 V, AVDD = TVDD = (DVDD) ~ 3.6 V, DVDD = 1.7~1.98 V; Quad Speed Mode; DEM = OFF; SD bit or SD pin = "1", SLOW bit or SLOW pin = "1", SSLOW bit or SSLOW pin = "0")

Parameter	Symbol	Min.	Typ.	Max.	Unit
Digital Filter					
Frequency	±0.01 dB	-	0		kHz
Response	-6.0 dB (Note 26)	-	91.2	35.2	kHz
Passband	(Note 32)	PB	0	35.2	kHz
Stopband	(Note 32)	SB	170.7		kHz
Passband Ripple	(Note 28)	PR	-	±0.007	dB
Stopband Attenuation	(Note 26)	SA	100		dB
Group Delay	(Note 29)	GD	5.0	-	1/fs
Digital Filter + SCF (Note 26)					
Frequency Response: 0 ~ 80.0 kHz		-8.0	-	+0.1	dB

Note 32. The passband and stopband frequencies scale with fs. For example, PB = 0.1836 × fs (@±0.01dB), SB = 0.8866 × fs.

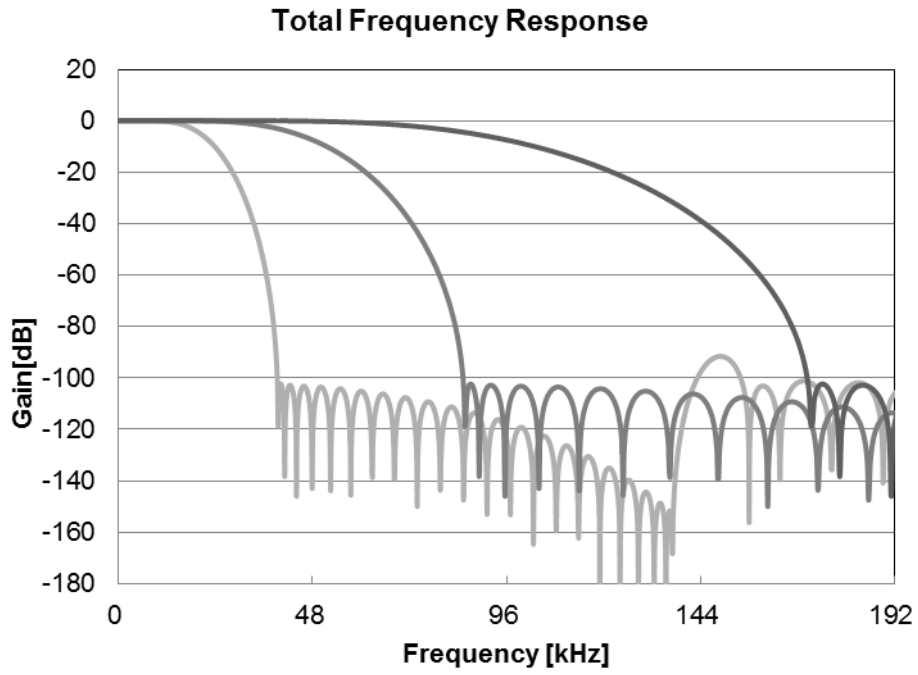


Figure 9. Short Delay Slow Roll-off Filter Frequency Response

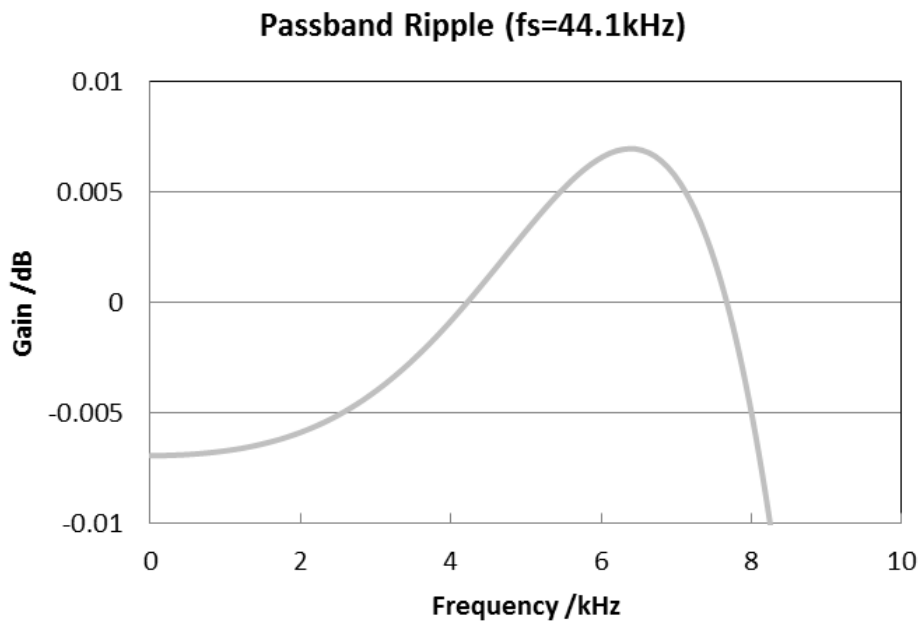


Figure 10. Short Delay Slow Roll-off Filter Passband Ripple

■ Low-dispersion Short Delay Filter Characteristics

Low-dispersion Short Delay Filter Characteristics (fs = 44.1kHz)

(Ta = -40 ~ 85 °C; VDDL/R = 4.75~5.25 V, AVDD = TVDD = (DVDD) ~ 3.6 V, DVDD = 1.7~1.98 V; Normal Speed Mode; DEM = OFF; SD bit pr SD pin = "1", SLOW bit or SLOW pin = "0", SSLOW bit or SSLOW pin = "1")

Parameter		Symbol	Min.	Typ.	Max.	Unit
Digital Filter						
Frequency	±0.05 dB	-	0	-	18.4	kHz
Response	-6.0 dB (Note 26)	-	-	22.05	-	kHz
Passband	(Note 33)	PB	0	-	18.4	kHz
Stopband	(Note 33)	SB	25.7	-	-	kHz
Passband Ripple	(Note 33)	PR	-	-	±0.05	dB
Stopband Attenuation	(Note 26)	SA	80	-	-	dB
Group Delay	(Note 29)	GD	-	10.0	-	1/fs
Group Delay Distortion		ΔGD	-	±0.035	-	1/fs
Digital Filter + SCF (Note 26)						
Frequency Response: 0 ~ 20.0 kHz			-1.2	-	+0.1	dB

Low-dispersion Short Delay Filter Characteristics (fs = 96kHz)

(Ta = -40 ~ 85 °C; VDDL/R = 4.75~5.25 V, AVDD = TVDD = (DVDD) ~ 3.6 V, DVDD = 1.7~1.98 V; Double Speed Mode; DEM = OFF; SD bit pr SD pin = "1", SLOW bit or SLOW pin = "0", SSLOW bit or SSLOW pin = "1")

Parameter		Symbol	Min.	Typ.	Max.	Unit
Digital Filter						
Frequency	±0.05 dB	-	0	-	40.1	kHz
Response	-6.0 dB (Note 26)	-	-	48.0	-	kHz
Passband	(Note 33)	PB	0	-	40.1	kHz
Stopband	(Note 33)	SB	55.9	-	-	kHz
Passband Ripple	(Note 28)	PR	-	-	±0.05	dB
Stopband Attenuation	(Note 26)	SA	80	-	-	dB
Group Delay	(Note 29)	GD	-	10.0	-	1/fs
Group DelayDistortion		ΔGD	-	±0.035	-	1/fs
Digital Filter + SCF (Note 26)						
Frequency Response: 0 ~ 40.0 kHz			-1.9	-	+0.1	dB

Low-dispersion Short Delay Filter Characteristics (fs = 192kHz)

(Ta = -40 ~ 85 °C; VDDL/R = 4.75 ~ 5.25 V, AVDD = TVDD = (DVDD) ~ 3.6 V, DVDD = 1.7~1.98 V; Quad Speed Mode; DEM = OFF; SD bit pr SD pin = "1", SLOW bit or SLOW pin = "0", SSLOW bit or SSLOW pin = "1")

Parameter		Symbol	Min.	Typ.	Max.	Unit
Digital Filter						
Frequency	±0.05 dB	-	0	-	80.2	kHz
Response	-6.0 dB (Note 26)	-	-	96.0	-	kHz
Passband	(Note 33)	PB	0	-	80.2	kHz
Stopband	(Note 33)	SB	111.8	-	-	kHz
Passband Ripple	(Note 28)	PR	-	-	±0.05	dB
Stopband Attenuation	(Note 26)	SA	80	-	-	dB
Group Delay	(Note 29)	GD	-	10.0	-	1/fs
Group Delay Distortion		ΔGD	-	±0.035	-	1/fs
Digital Filter + SCF (Note 26)						
Frequency Response: 0 ~ 80.0 kHz			-5.0	-	+0.1	dB

Note 33. The passband and stopband frequencies scale with fs. For example, PB = 0.418 × fs (@±0.05dB), SB = 0.582 × fs.

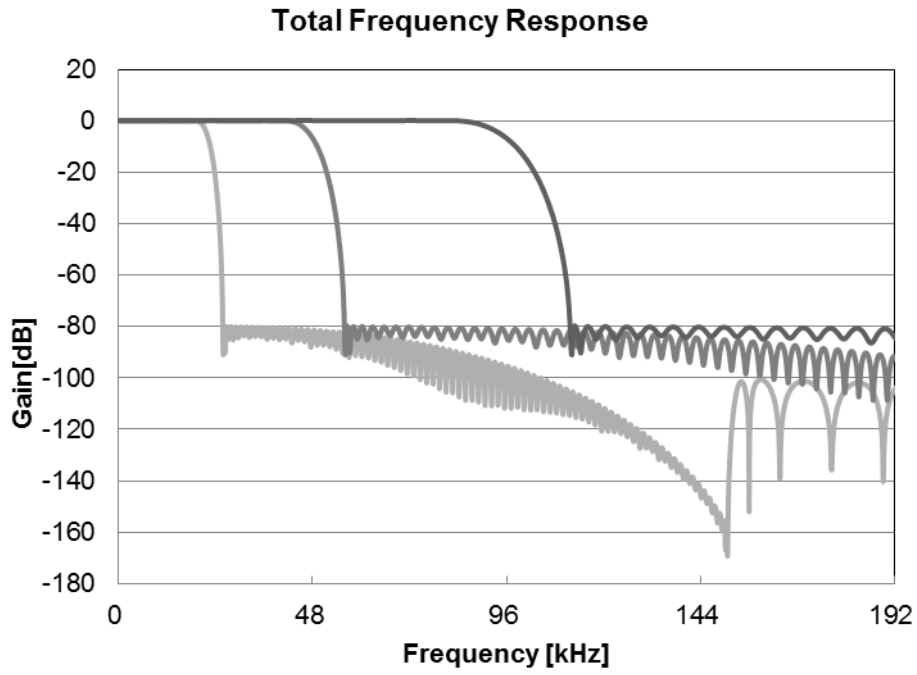


Figure 11. Low Dispersion Shortdelay Filter Frequency Response

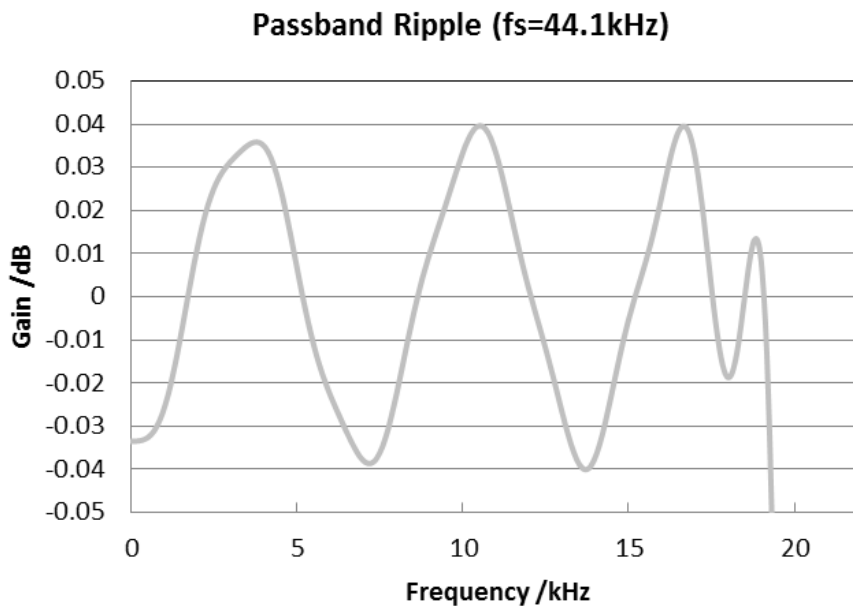


Figure 12. Low Dispersion Shortdelay Filter PassbandRipple

■ DSD Filter Characteristics

($T_a = -40 \sim 85 \text{ }^\circ\text{C}$; $V_{DDL/R} = 4.75 \sim 5.25 \text{ V}$, $AV_{DD} = TV_{DD} = (DV_{DD}) \sim 3.6 \text{ V}$, $DV_{DD} = 1.7 \sim 1.98 \text{ V}$; $f_s = 44.1 \text{ kHz}$; DP bit = "1", DSDSEL[1:0] bits = "00")

Parameter		Min.	Typ.	Max.	Unit
Digital Filter Response (Note 34)					
DSD bit = "0"	20 kHz	-	-0.77	-	dB
	50 kHz	-	-5.25	-	dB
	100 kHz	-	-18.80	-	dB
DSD bit = "1"	20 kHz	-	-0.19	-	dB
	100 kHz	-	-5.29	-	dB
	150 kHz	-	-15.57	-	dB

Note 34. 0dB is the output level when a 1kHz 25% ~ 75% duty sine wave is input.

Note 35. The frequency(20 k,100 k,150 kHz) is doubled in 128 fs(DSDSEL[1:0] bits = "01"), and it is four times in 256 fs(DSDSEL[1:0] bits = "10").

■ DC Characteristics

($T_a = -40 \sim 85 \text{ }^\circ\text{C}$; $V_{DDL/R} = 4.75 \sim 5.25 \text{ V}$, $AV_{DD} = TV_{DD} = 1.7 \sim 3.6 \text{ V}$, $DV_{DD} = 1.7 \sim 1.98 \text{ V}$)

Parameter	Symbol	Min.	Typ.	Max.	Unit
AVDD=TVDD=1.7 ~ 3.0 V					
High-Level Input Voltage	V _{IH}	80%TVDD	-	-	V
Low-Level Input Voltage	V _{IL}	-	-	20%TVDD	V
AVDD=TVDD=3.0V ~ 3.6 V					
High-Level Input Voltage	V _{IH}	70%TVDD	-	-	V
Low-Level Input Voltage	V _{IL}	-	-	30%TVDD	V
High-Level Output Voltage (TDMO, DZFL, DZFR pins: I _{out} = -100 μA)	V _{OH}	TVDD-0.5	-	-	V
Low-Level Output Voltage (except SDA pin: I _{out} = 100μA)	V _{OL}	-	-	0.5	V
(SDA pin, 2.0 V ≤ TVDD ≤ 3.6 V: I _{out} = 3mA)	V _{OL}	-	-	0.4	V
(SDA pin, 1.7 V ≤ TVDD ≤ 2.0 V: I _{out} = 3mA)	V _{OL}	-	-	20%TVDD	V
Input Leakage Current (Note 36)	I _{in}	-	-	±10	μA

Note 36. The TESTE, TDMO, PSN, DIF0 and DIF1 pins have internal pull-down. The value of resistance is 100 kohm(typical). Therefore the TESTE, TDMO, PSN, DIF0 and DIF1 pins are not included in this specification.

■ Switching Characteristics

(Ta = -40 ~ 85 °C; VDDL/R = 4.75~5.25 V, AVDD = TVDD = 1.7~3.6V, DVDD = 1.7~1.98 V, CL = 20 pF)

Parameter	Symbol	Min.	Typ.	Max.	Unit
Master Clock Timing					
Frequency	fCLK	2.048	-	49.152	MHz
Duty Cycle	dCLK	40	-	60	%
Minimum Pulse Width	tCLKH	9.155	-	-	nsec
	tCLKL	9.155	-	-	nsec
LRCK Clock Timing (Note 37)					
Normal Mode (TDM[1:0] bits = "00")					
Normal Speed Mode	fsn	8	-	54	kHz
Double Speed Mode	fsd	54	-	108	kHz
Quad Speed Mode	fsq	108	-	216	kHz
Oct speed mode	fso	-	384	-	kHz
Hex speed mode	fsh	-	768	-	kHz
Duty Cycle	Duty	45	-	55	%
TDM128 mode (TDM[1:0] bits = "01")					
Normal Speed Mode	fsn	8	-	54	kHz
Double Speed Mode	fsd	54	-	108	kHz
Quad Speed Mode	fsq	108	-	216	kHz
High time	tLRH	1/128fs	-	-	nsec
Low time	tLRL	1/128fs	-	-	nsec
TDM256 mode (TDM[1:0] bits = "10")					
Normal Speed Mode High time	fsn	8	-	54	kHz
Double Speed Mode	fsd	54	-	108	kHz
High time	tLRH	1/256fs	-	-	nsec
Low time	tLRL	1/256fs	-	-	nsec
TDM512 mode (TDM[1:0] bits = "11")					
Normal Speed Mode	fsn	8	-	54	kHz
High time	tLRH	1/512fs	-	-	nsec
Low time	tLRL	1/512fs	-	-	nsec

Note 37. The MCLK frequency must be changed while the AK4492 is in reset state by setting the PDN pin = "L" or RSTN bit = "0".

(Ta = -40 ~ 85 °C; VDDL/R = 4.75~5.25 V, TVDD = AVDD = (DVDD) ~ 3.6V, DVDD = 1.7~1.98 V, CL = 20 pF, PSN pin = "L", AFSD bit = "1")

Parameter	Symbol	Min.	Typ.	Max.	Unit
Master Clock Timing (FS Auto Detect Mode)					
Frequency	fCLK	7.68	-	49.152	MHz
Duty Cycle	dCLK	40	-	60	%
Minimum Pulse Width	tCLKH	9.155	-	-	nsec
	tCLKL	9.155	-	-	nsec
LRCK Clock Timing (FS Auto Detect Mode) (Note 38)					
Normal Mode (TDM[1:0] bits = "00")					
Normal Speed Mode	fsn	30	-	54	kHz
Double Speed Mode	fsd	88.2	-	108	kHz
Quad Speed Mode	fsq	176.4	-	216	kHz
Oct speed mode	fso	-	384	-	kHz
Hex speed mode	fsh	-	768	-	kHz
Duty Cycle	Duty	45	-	55	%
TDM128 mode (TDM[1:0] bits = "01")					
Normal Speed Mode	fsn	30	-	54	kHz
Double Speed Mode	fsd	88.2	-	108	kHz
Quad Speed Mode	fsq	176.4	-	216	kHz
High time	tLRH	1/128fs	-	-	nsec
Low time	tLRL	1/128fs	-	-	nsec
TDM256 mode (TDM[1:0] bits = "10")					
Normal Speed Mode High time	fsn	30	-	54	kHz
Double Speed Mode	fsd	-	-	108	kHz
High time	tLRH	1/256fs	-	-	nsec
Low time	tLRL	1/256fs	-	-	nsec
TDM512 mode (TDM[1:0] bits = "11")					
Normal Speed Mode	fsn	30	-	54	kHz
High time	tLRH	1/512fs	-	-	nsec
Low time	tLRL	1/512fs	-	-	nsec

Note 38. Normal operation is not guaranteed if a frequency not shown above is input to the LRCK when the AK4492 is in Sampling Frequency Auto Detect Mode.

Parameter	Symbol	Min.	Typ.	Max.	Unit
PCM Audio Interface Timing					
Normal Mode (TDM[1:0] bits = "00")					
BICK Period					
Normal Speed Mode	tBCK	1/256fsn	-	-	nsec
Double Speed Mode	tBCK	1/128fsd	-	-	nsec
Quad Speed Mode	tBCK	1/64fsq	-	-	nsec
Oct speed mode	tBCK	1/64fso	-	-	nsec
Hex speed mode	tBCK	1/64fsh	-	-	nsec
BICK Pulse Width Low	tBCKL	9	-	-	nsec
BICK Pulse Width High	tBCKH	9	-	-	nsec
BICK "↑" to LRCK Edge (Note 39)	tBLR	5	-	-	nsec
LRCK Edge to BICK "↑" (Note 39)	tLRB	5	-	-	nsec
SDATA Hold Time	tSDH	5	-	-	nsec
SDATA Setup Time	tSDS	5	-	-	nsec
TDM128 mode (TDM[1:0] bits = "01")					
BICK Period					
Normal Speed Mode	tBCK	1/128fsn	-	-	nsec
Double Speed Mode	tBCK	1/128fsd	-	-	nsec
Quad Speed Mode	tBCK	1/128fsq	-	-	nsec
BICK Pulse Width Low	tBCKL	14	-	-	nsec
BICK Pulse Width High	tBCKH	14	-	-	nsec
BICK "↑" to LRCK Edge (Note 39)	tBLR	14	-	-	nsec
LRCK Edge to BICK "↑" (Note 39)	tLRB	14	-	-	nsec
SDATA Hold Time	tSDH	5	-	-	nsec
SDATA Setup Time	tSDS	5	-	-	nsec
TDM256 mode (TDM[1:0] bits = "10")					
BICK Period					
Normal Speed Mode	tBCK	1/256fsn	-	-	nsec
Double Speed Mode (Note 40)	tBCK	1/256fsd	-	-	nsec
BICK Pulse Width Low	tBCKL	14	-	-	nsec
BICK Pulse Width High	tBCKH	14	-	-	nsec
BICK "↑" to LRCK Edge (Note 39)	tBLR	14	-	-	nsec
LRCK Edge to BICK "↑" (Note 39)	tLRB	14	-	-	nsec
TDMO Setup time BICK "↑"	tBSS	5	-	-	nsec
TDMO Hold time BICK "↑" (Note 42)	tBSH	5	-	-	nsec
SDATA Hold Time	tSDH	5	-	-	nsec
SDATA Setup Time	tSDS	5	-	-	nsec
TDM512 mode (TDM[1:0] bits = "11")					
BICK Period					
Normal Speed Mode (Note 41)	tBCK	1/512fsn	-	-	nsec
BICK Pulse Width Low	tBCKL	14	-	-	nsec
BICK Pulse Width High	tBCKH	14	-	-	nsec
BICK "↑" to LRCK Edge (Note 39)	tBLR	14	-	-	nsec
LRCK Edge to BICK "↑" (Note 39)	tLRB	14	-	-	nsec
TDMO Setup time BICK "↑"	tBSS	5	-	-	nsec
TDMO Hold time BICK "↑" (Note 42)	tBSH	5	-	-	nsec
SDATA Hold Time	tSDH	5	-	-	nsec
SDATA Setup Time	tSDS	5	-	-	nsec

Note 39. BICK rising edge must not occur at the same time as LRCK edge.

Note 40. Daisy Chain Mode, fsd (max) = 96 kHz if "TVDD < 3.0V".

Note 41. Daisy Chain Mode, fsn (max) = 48 kHz if "TVDD < 3.0V".

Note 42. LDOE pin = "L", tBSH (min) = 4 nsec if "TVDD > 2.6V".

Parameter	Symbol	Min.	Typ.	Max.	Unit
PCM Audio Interface Timing					
External Digital Filter Mode					
BCK Period	tB	27	-	-	nsec
BCK Pulse Width Low	tBL	10	-	-	nsec
BCK Pulse Width High	tBH	10	-	-	nsec
BCK “↑” to WCK Edge	tBW	5	-	-	nsec
WCK Period	tWCK	1.3	-	-	usec
WCK Edge to BCK “↑”	tWB	5	-	-	nsec
WCK Pulse Width Low	tWCKL	54	-	-	nsec
WCK Pulse Width High	tWCKH	54	-	-	nsec
DINL/R Hold Time	tDH	5	-	-	nsec
DINL/R Setup Time	tDS	5	-	-	nsec
DSD Audio Interface Timing					
Sampling Frequency	fs	30		48	kHz
(64fs mode, DSDSEL [1:0] bits = “00”)					
DCLK Period	tDCK	-	1/64fs	-	nsec
DCLK Pulse Width Low	tDCKL	144	-	-	nsec
DCLK Pulse Width High	tDCKH	144	-	-	nsec
DCLK Edge to DSDL/R (Note 43)	tDDD	-20	-	20	nsec
(128fs mode, DSDSEL [1:0] bits = “01”)					
DCLK Period	tDCK	-	1/128fs	-	nsec
DCLK Pulse Width Low	tDCKL	72	-	-	nsec
DCLK Pulse Width High	tDCKH	72	-	-	nsec
DCLK Edge to DSDL/R (Note 43)	tDDD	-10	-	10	nsec
(256fs mode, DSDSEL [1:0] bits = “10”)					
DCLK Period	tDCK	-	1/256fs	-	nsec
DCLK Pulse Width Low	tDCKL	36	-	-	nsec
DCLK Pulse Width High	tDCKH	36	-	-	nsec
DCLK Edge to DSDL/R (Note 43)	tDDD	-5	-	5	nsec

Note 43. DSD data transmitting device must meet this time. “tDDD” is defined from DCLK “↓” until DSDL/R edge when DCKB bit = “0” (default), “tDDD” is defined from DCLK “↑” until DSDL/R edge when DCKB bit = “1”. If the audio data format is in phase modulation mode, “tDDD” is defined from DCLK edge “↓” or “↑” until DSDL/R edge regardless of DCKB bit setting.

Parameter	Symbol	Min.	Typ.	Max.	Unit
Control Interface Timing (3-wire IF mode):					
CCLK Period	tCCK	200	-	-	nsec
CCLK Pulse Width Low	tCCKL	80	-	-	nsec
CCLK Pulse Width High	tCCKH	80	-	-	nsec
CDTI Setup Time	tCDS	40	-	-	nsec
CDTI Hold Time	tCDH	40	-	-	nsec
CSN "H" Time	tCSW	150	-	-	nsec
CSN "↓" to CCLK "↑"	tCSS	50	-	-	nsec
CCLK "↑" to CSN "↑"	tCSH	50	-	-	nsec
Control Interface Timing (I²C Bus mode):					
SCL Clock Frequency	fSCL	-	-	400	kHz
Bus Free Time Between Transmissions	tBUF	1.3	-	-	usec
Start Condition Hold Time (prior to first clock pulse)	tHD:STA	0.6	-	-	usec
Clock Low Time	tLOW	1.3	-	-	usec
Clock High Time	tHIGH	0.6	-	-	usec
Setup Time for Repeated Start Condition	tSU:STA	0.6	-	-	usec
SDA Hold Time from SCL Falling (Note 44)	tHD:DAT	0	-	-	usec
SDA Setup Time from SCL Rising	tSU:DAT	0.1	-	-	usec
Rise Time of Both SDA and SCL Lines	tR	-	-	0.3	usec
Fall Time of Both SDA and SCL Lines	tF	-	-	0.3	usec
Setup Time for Stop Condition	tSU:STO	0.6	-	-	usec
Pulse Width of Spike Noise Suppressed by Input Filter	tSP	0	-	50	nsec
Capacitive load on bus	Cb	-	-	400	pF
Power-down & Reset Timing (Note 45)					
PDN Accept Pulse Width	tAPD	150	-	-	nsec
PDN Reject Pulse Width	tRPD	-	-	30	nsec

Note 44. Data must be held for sufficient time to bridge the 300 ns transition time of SCL.

Note 45. The AK4492 should be reset by bringing the PDN pin "L" upon power-up.

Note 46. I²C -bus is a trademark of NXP B.V.

■ Timing Diagram

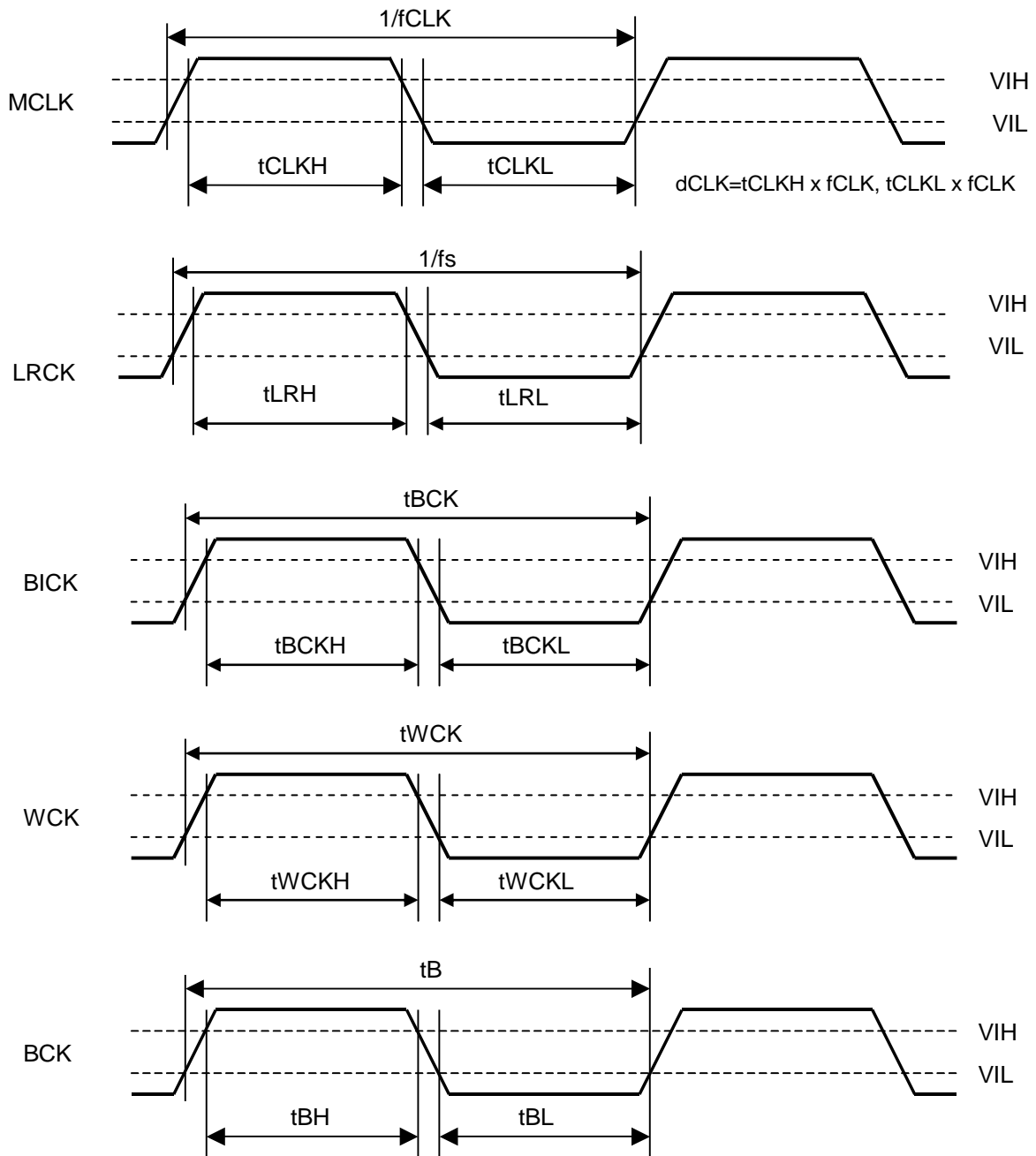


Figure 13. Clock Timing

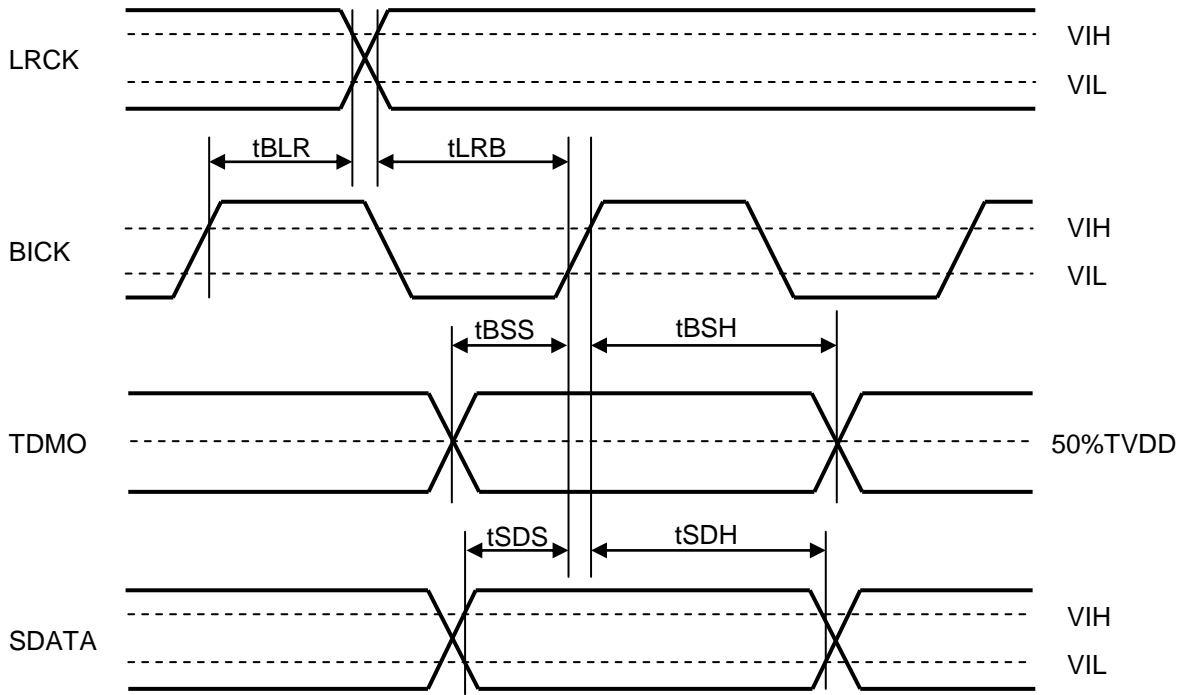


Figure 14. Audio Interface Timing (PCM Mode)

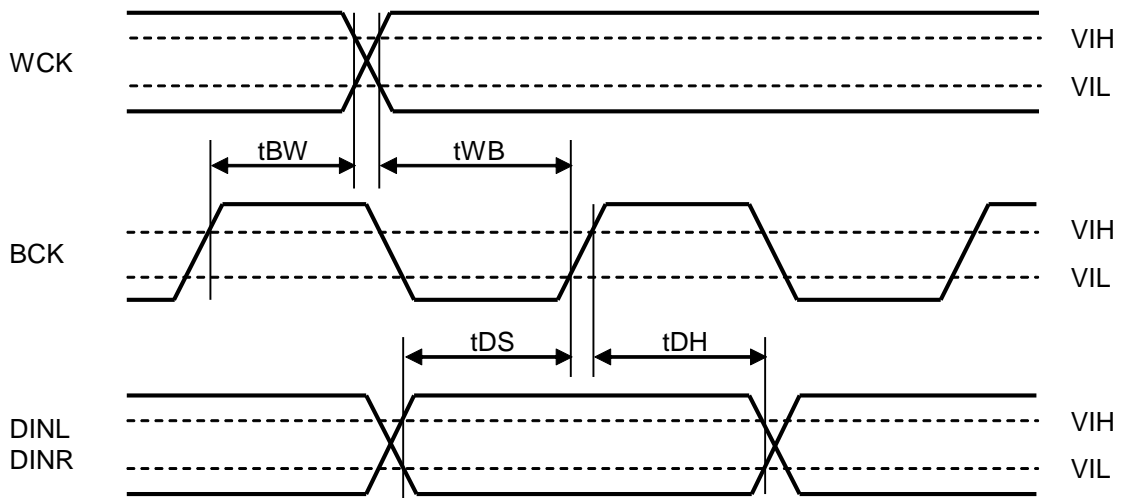


Figure 15. Audio Interface Timing (External Digital Filter I/F Mode)

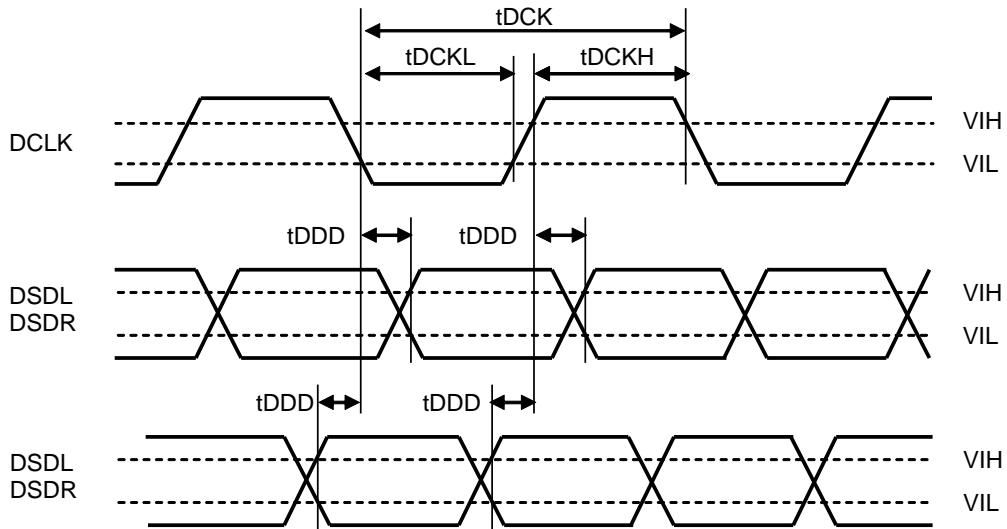
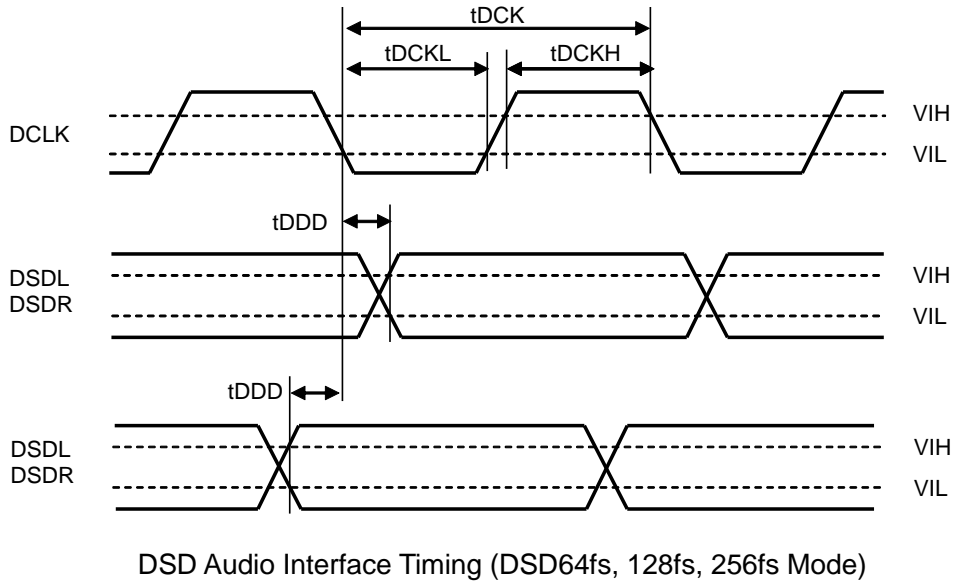


Figure 16. Audio Interface Timing (DSD Phase Modulation Mode, DCKB bit = "0")

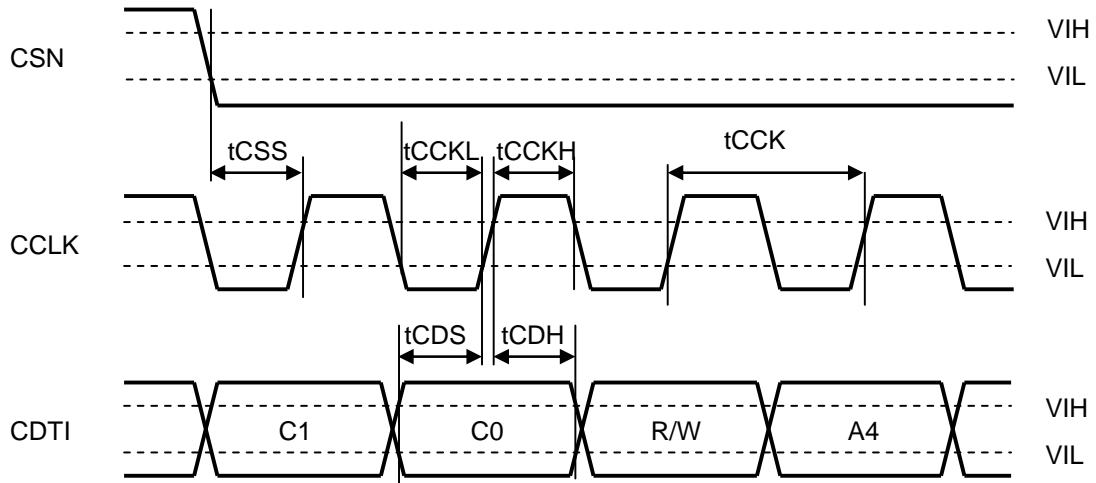


Figure 17. 3 Wire Serial Mode WRITE Command Input Timing

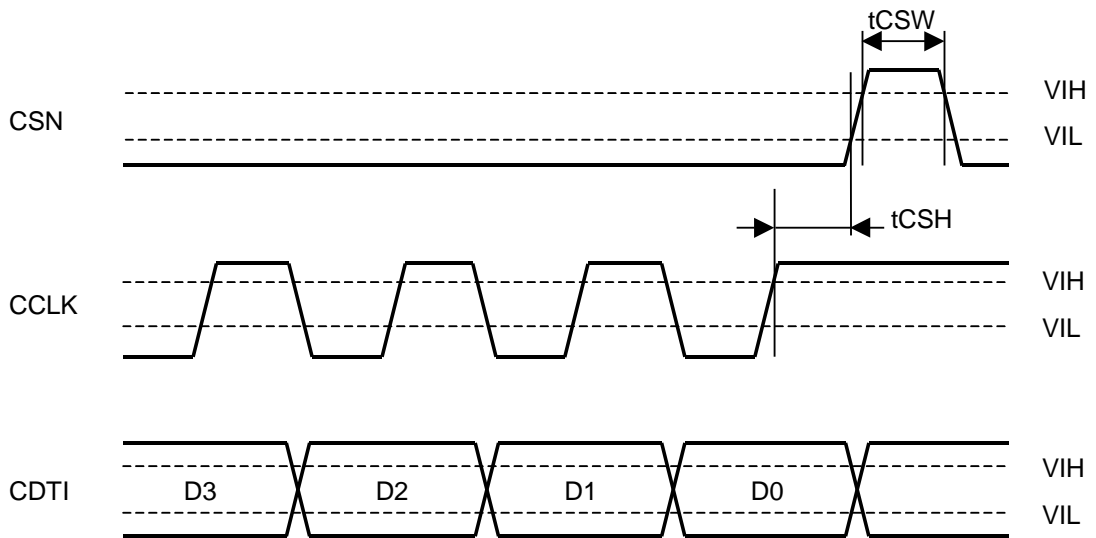


Figure 18. 3 Wire Serial Mode WRITE Data Input Timing

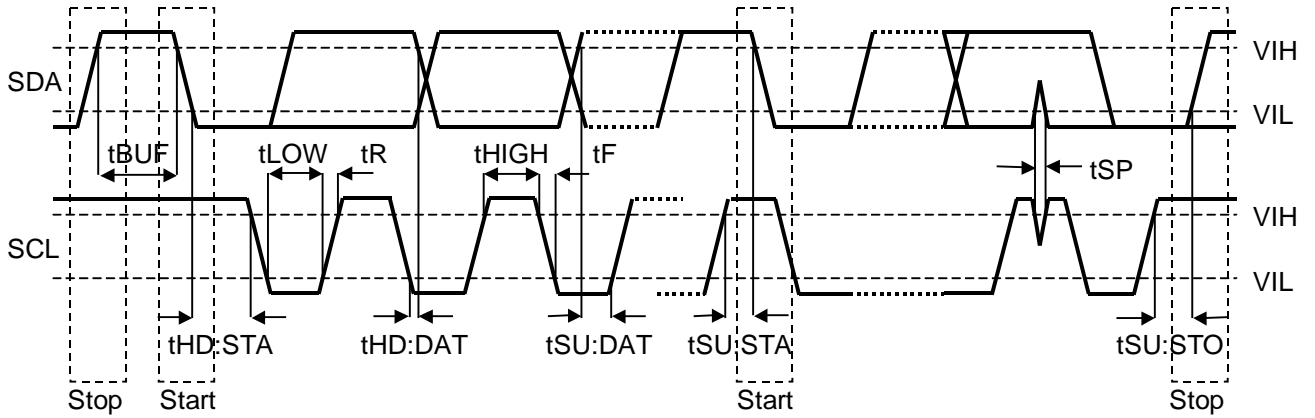


Figure 19. I²C Bus Mode Timing

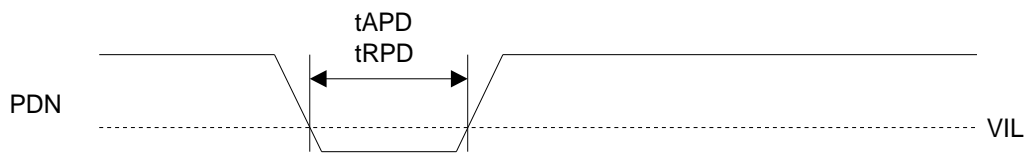


Figure 20. Power Down & Reset Timing

9. Functional Descriptions

Each function of the AK4492 is controlled by Pins (pin control mode) and Registers (register control mode) (Table 1). Select the control mode by setting the PSN pin. The AK4492 must be powered down when changing the PSN pin setting. There is a possibility of malfunction if the device is not powered down when changing the control mode since the previous setting is not initialized. Register settings are invalid in pin control mode, and pin settings are invalid in register control mode.

Table 2 shows available functions of each control mode and Table 3 shows available functions in PCM/DSD/EXDF mode.

Table 1. Pin/Register Control Mode Select

PSN pin	Control Mode
L	Register Control Mode
H	Pin Control Mode

Table 2. Function List @Pin/Register Control Mode
(Y: Available, -: Not available)

Function	Pin Control Mode	Register Control Mode
DSD/EXDF Mode Select	-	Y
System Clock Setting Select	Y	Y
Audio Format Select	Y	Y
TDM Mode	Y	Y
Digital Filter Select	Y	Y
De-emphasis Filter Select	Y	Y
Digital Attenuator	-	Y
Zero Detection	-	Y
Mono Mode	-	Y
Output signal select (Monoral, Channel select)	-	Y
Output Signal Polarity Select (Invert)	Y	Y
DSD Full Scale Detect	-	Y
Soft Mute	Y	Y
Register Reset	-	Y
Clock Synchronization Function	-	Y
Resistor Control	-	Y
Gain Control	Y	Y
Heavy Load Mode	Y	Y

Table 3. Function List of PCM/EXDF/DSD Mode @Register Control Mode
(Y: Available, N/A: Not available)

Function	Default	Addr	Bit	PCM	EXDF	DSD
PCM/DSD/EXDF Mode Select	PCM mode	00H 02H	EXDF DP	Y	Y	Y
System clock setting @DSD mode	256fs	02H	DCKS	-	-	Y
Systemclock setting @ EXDF mode	16fs (fs = 44.1 kHz)	00H	ECS	-	Y	-
Digital Filter select @ DSD mode	39 kHz filter	09H	DSDF	-	-	Y
Digital Filter select @ PCM mode	Short delay sharp roll off filter	01-02-05H	SD SLOW SSLOW	Y	-	-
De-emphasis Response	Off	01H	DEM[1:0]	Y	-	-
Path select @ DSD mode	Normal Path	06H	DSDD	-	-	Y
Audio Data Interface Format @ PCM Mode	32 bit MSB	00H	DIF[2:0]	Y	-	-
Audio Data Interface Format @ EXDF Mode	32 bit LSB	00H	DIF[2:0]	-	Y	-
TDM Interface Format	Normal Mode	0AH	TDM[1:0]	Y	-	-
Daisy Chain	Normal Mode	0BH	DCHAIN	Y	-	-
Attenuation Level	0 dB	03-04H	ATT[7:0]	Y	Y	Y
Data Zero Detect Enable	Disable	01H	DZFE	Y	Y	Y
Inverting Enable of DZF	"H" active	02H	DZFB	Y	Y	Y
Mono/Stereo mode select	Stereo	02H	MONO	Y	Y	Y
Data Invert mode select	Off	05H	INVL/R	Y	Y	Y
The data selection of L channel and R channel	R channel	02H	SELLR	Y	Y	Y
DSD Mute Function @ Full scale Detected	Disable	06H	DDM	-	-	Y
Soft Mute Enable	Normal Operation	01H	SMUTE	Y	Y	Y
Reset	Reset	00H	RSTN	Y	Y	Y
Clock Synchronization Function	Enable	07H	SYNCE	Y	Y	-

■ D/A Conversion Mode (PCM Mode, DSD Mode, EXDP Mode)

The AK4492 can perform D/A conversion for either PCM data or DSD data. When PCM mode, PCM data can be input from the BICK, LRCK and SDATA pins. When DSD mode, DSD data can be input from the A3, B1 and B2 pins if DSDPATH bit = "0" and DSD data can be input from the J1, H1, and G1 pins if DSDPATH bit = "1". The DP bit controls PCM/DSD mode. The AK4492 must be reset by setting RSTN bit = "0" when PCM/DSD mode is changed by DP bit or when DSD signal input pins are changed by DSDPATH bit. It takes about 2 ~ 3/fs to change the mode. Wait 4/fs or more to change RSTN bit after changing these settings.

External digital filter I/F can be selected by setting DP bit = "0" and EXDF bit = "1". When using an external digital filter (EXDF I/F mode), data is input to each MCLK, BCK, WCK, DINL and DINR pin. EXDF bit controls the modes. When switching internal and external digital filters by EXDF bit, the AK4492 must be reset by RSTN bit. A Digital filter switching takes 2~3k/fs. The AK4492 is in DSD mode when DP bit = "1" and EXDF bit "1".

Table 4. PCM/DSD/EXDF Mode Control

DP bit	EXDF bit	DSDPATH bit	D/A Conv. Mode	Pin Assignment					
				J1 pin	H1 pin	G1 pin	A3 pin	B1 pin	B2 pin
0 (default)	0 (default)	x	PCM	BICK	SDATA	LRCK	Not Use	Not Use	Not Use
1	x	0 (default)	DSD	Not Use	Not Use	Not Use	DCLK	DSDL	DSDR
1	x	1	DSD	DCLK	DSDL	DSDR	Not Use	Not Use	Not Use
0	1	x	EXDF	BCK	DINL	DINR	Not Use	Not Use	Not Use

(x: Do not care)

■ D/A Conversion Mode Switching Timing

Figure 21 and Figure 22 show switching timing of PCM/EXDF and DSD modes. To prevent noise caused by excessive input, DSD signal should be input 4/fs after setting RSTN bit = "0" until the device is completely reset internally when the conversion mode is changed to DSD mode from PCM/EXDF mode. DSD signal should be stopped 4/fs after setting RSTN bit = "0" until the device is completely reset internally when the conversion mode is changed to PCM/EXDF from DSD mode.

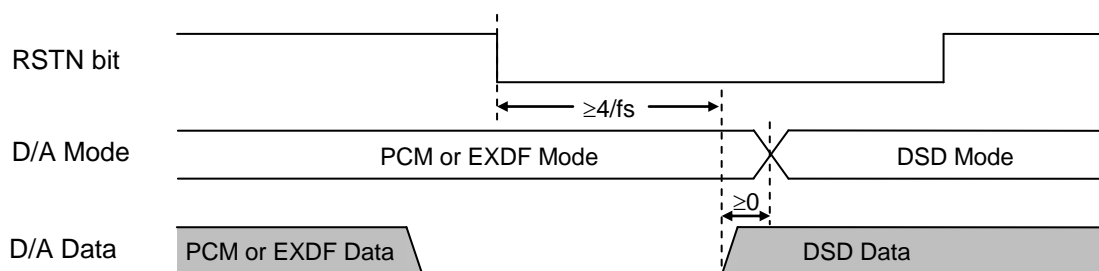


Figure 21. D/A Mode Switching Timing (from PCM or EXDF to DSD)

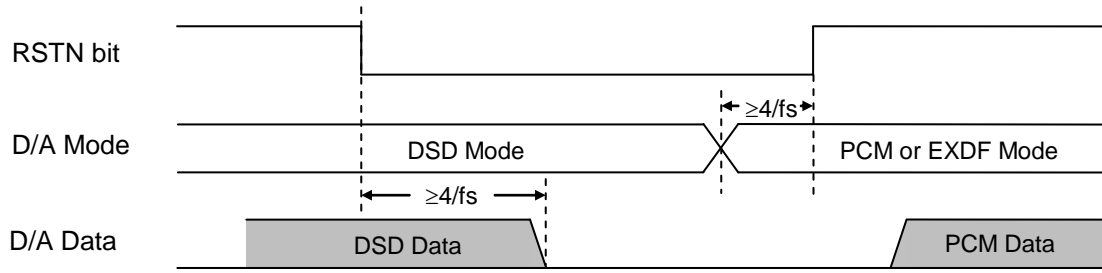


Figure 22. D/A Mode Switching Timing (from DSD to PCM or EXDF)

Figure 23 shows switching timing of PCM and EXDF modes. Set EXDF bit $4/f_s$ after setting RSTN bit = "0" until the device is completely reset internally when changing the conversion mode.

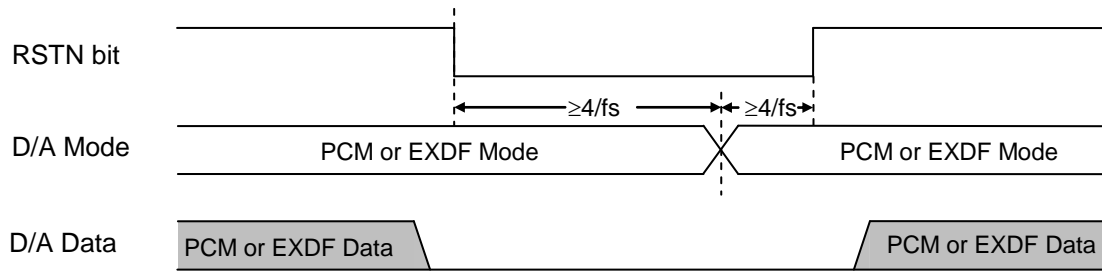


Figure 23. D/A Mode Switching Timing (PCM \leftrightarrow EXDF)

■ System Clock

[1] PCM Mode

The external clocks, which are required to operate the AK4492, are MCLK, BICK and LRCK. MCLK, BICK and LRCK should be synchronized but the phase is not critical. The MCLK is used to operate the digital interpolation filter, the delta-sigma modulator and SCF.

There are Manual Setting Mode, Auto Setting Mode and Fs Auto Detection mode for MCLK frequency setting (Table 5). In manual setting mode (ACKS pin="L" or ACKS bit="0"), MCLK frequency is set automatically but the sampling speed (LRCK frequency) is set by DFS[2:0] bits (Table 6). Sampling frequency is fixed to normal speed mode in pin control mode (PSN pin = "H"), and it is set by DFS[2:0] bits in register control mode (PSN pin = "L"). In register control mode, the AK4492 is in manual setting mode when power-down is released (PDN pin = "L" → "H").

In auto setting mode (ACKS pin = "H" or ACKS bit="1"), sampling speed and MCLK frequency are detected automatically (Table 7, Table 11) and then the initial master clock is set to the appropriate frequency (Table 8, Table 9, Table 15, Table 16).

In FS auto detect mode (AFSD bit= "1"), sampling speed is automatically detected (Table 7, Table 11) and the initial master clock is set to the appropriate frequency. In this mode, ACKS bit and DFS[2:0] bits settings are invalid. Fs auto detect mode is not supported by pin control mode.

The AK4492 is automatically placed in power-down state when MCLK is stopped for more than 1us during a normal operation (PDN pin = "H"), and the analog output becomes Hi-z state. When MCLK is input again, the AK4492 exits power-down state and starts operation. The AK4492 is in power-down mode until MCLK BICK and LRCK are supplied and the analog output is floating state.

Table 5. System Clock Setting Mode @Register Control Mode

AFSD bit	ACKS bit	Mode
0	0	Manual setting Mode
	1	Auto setting Mode
1	x	FS Auto Detect Mode

(default)

(x: Do not care)

(1) Pin Control Mode (PSN pin = "H")

(1)-1. Manual Setting Mode (ACKS pin = "L")

The MCLK frequency corresponding to each sampling speed should be provided externally (Table 6). DFS1-0 bits are fixed to "00". In this mode, quad speed and double speed modes are not available.

Table 6. System Clock Example (Manual Setting Mode @Pin Control Mode)

LRCK fs	MCLK (MHz)								BICK 64fs
	128fs	192fs	256fs	384fs	512fs	768fs	1024fs	1152fs	
32.0 kHz	N/A	N/A	8.1920	12.2880	16.3840	24.5760	32.7680	36.8640	2.0480 MHz
44.1 kHz	N/A	N/A	11.2896	16.9344	22.5792	33.8688	N/A	N/A	2.8224 MHz
48.0 kHz	N/A	N/A	12.2880	18.4320	24.5760	36.8640	N/A	N/A	3.0720 MHz

(N/A: Not available)

(1)-2. Auto Setting Mode (ACKS pin = "H")

In auto setting mode, MCLK frequency and sampling frequency are detected automatically (Table 7). MCLK of corresponded frequency to each sampling speed mode should be input externally (Table 8, Table 9).

Table 7. Sampling Speed (Auto Setting Mode @Pin Control Mode)

MCLK		Sampling Speed
1152fs/1024fs		Normal (fs ≤ 32 kHz)
512fs/256fs	768fs/384fs	Normal
256fs	384fs	Double
128fs	192fs	Quad
64fs	96fs	Oct
32fs	48fs	Hex

Table 8. System Clock Example 1 (Auto Setting Mode @Pin Control Mode)

LRCK Fs	MCLK (MHz)						Sampling Speed
	32fs	48fs	64fs	96fs	128fs	192fs	
32.0 kHz	N/A	N/A	N/A	N/A	N/A	N/A	Normal
44.1 kHz	N/A	N/A	N/A	N/A	N/A	N/A	
48.0 kHz	N/A	N/A	N/A	N/A	N/A	N/A	
88.2 kHz	N/A	N/A	N/A	N/A	N/A	N/A	Double
96.0 kHz	N/A	N/A	N/A	N/A	N/A	N/A	
176.4 kHz	N/A	N/A	N/A	N/A	22.5792	33.8688	Quad
192.0 kHz	N/A	N/A	N/A	N/A	24.5760	36.8640	
384 kHz	N/A	N/A	24.576	36.864	N/A	N/A	Oct
768 kHz	24.576	36.864	N/A	N/A	N/A	N/A	Hex

(N/A: Not available)

Table 9. System Clock Example 2 (Auto Setting Mode @Pin Control Mode)

LRCK	MCLK (MHz)						Sampling Speed
	Fs	256fs	384fs	512fs	768fs	1024fs	
32.0 kHz	8.1920	12.2880	16.3840	24.5760	32.7680	36.8640	Normal
44.1 kHz	11.2896	16.9344	22.5792	33.8688	N/A	N/A	
48.0 kHz	12.2880	18.4320	24.5760	36.8640	N/A	N/A	
88.2 kHz	22.5792	33.8688	N/A	N/A	N/A	N/A	Double
96.0 kHz	24.5760	36.8640	N/A	N/A	N/A	N/A	
176.4 kHz	N/A	N/A	N/A	N/A	N/A	N/A	Quad
192.0 kHz	N/A	N/A	N/A	N/A	N/A	N/A	
384 kHz	N/A	N/A	N/A	N/A	N/A	N/A	Oct
768 kHz	N/A	N/A	N/A	N/A	N/A	N/A	Hex

(N/A: Not available)

When MCLK= 256fs/384fs, auto setting mode supports sampling rate of 8kHz~96kHz (Table 10). However, the DR and S/N performances will degrade approximately 3dB as compared to when MCLK = 256fs/384fs for DR and MCLK= 512fs/768fs for S/N, respectively if the sampling rate is under 54kHz.

Table 10. DR and S/N Relationship with MCLK Frequency (fs = 44.1kHz)

ACKS pin	MCLK	DR, S/N
L	256fs/384fs/512fs/768fs	123 dB
H	256fs/384fs	120 dB
H	512fs/768fs	123 dB

Note 47. This Characteristic is supported by using External Circuit (Figure 74)

(2) Register Control Mode (PSN pin = "L")

(2)-1. Manual Setting Mode (AFSD bit = "0", ACKS bit = "0")

MCLK frequency is detected automatically and the sampling speed is set by DFS[2:0] bits (Table 11). The MCLK frequency corresponding to each sampling speed that should be provided externally (Table 12, Table 13). The AK4492 is set to Manual Setting Mode at power-up (PDN pin = "L" → "H"). When DFS2-0 bits are changed, the AK4492 should be reset by RSTN bit.

Table 11. Sampling Speed (Manual Setting Mode @Register Control Mode)

DFS2 bit	DFS1 bit	DFS0 bit	Sampling Rate (fs)	
0	0	0	Normal Speed Mode	8 kHz ~ 54 kHz
0	0	1	Double Speed Mode	54 kHz ~ 108 kHz
0	1	0	Quad Speed Mode	120 kHz ~ 216 kHz
0	1	1	Quad Speed Mode	120 kHz ~ 216 kHz
1	0	0	Oct Speed Mode	384 kHz
1	0	1	Hex Speed Mode	768 kHz
1	1	0	Oct Speed Mode	384 kHz
1	1	1	Hex Speed Mode	768 kHz

(default)

Table 12. System Clock Example 1 (Manual Setting Mode @Register Control Mode)

LRCK Fs	MCLK (MHz)						Sampling Speed
	16fs	32fs	48fs	64fs	96fs	128fs	
32.0 kHz	N/A	N/A	N/A	N/A	N/A	N/A	Normal
44.1 kHz	N/A	N/A	N/A	N/A	N/A	N/A	
48.0 kHz	N/A	N/A	N/A	N/A	N/A	N/A	
88.2 kHz	N/A	N/A	N/A	N/A	N/A	N/A	Double
96.0 kHz	N/A	N/A	N/A	N/A	N/A	N/A	
176.4 kHz	N/A	N/A	N/A	N/A	N/A	22.5792	Quad
192.0 kHz	N/A	N/A	N/A	N/A	N/A	24.5760	
384 kHz	N/A	12.288	18.432	24.576	36.864	N/A	Oct
768 kHz	12.288	24.576	36.864	49.152	N/A	N/A	Hex

(N/A: Not available)

Table 13. System Clock Example 2 (Manual Setting Mode @Register Control Mode)

LRCK fs	MCLK (MHz)							Sampling Speed
	192fs	256fs	384fs	512fs	768fs	1024fs	1152fs	
32.0 kHz	N/A	8.1920	12.2880	16.3840	24.5760	32.7680	36.8640	Normal
44.1 kHz	N/A	11.2896	16.9344	22.5792	33.8688	N/A	N/A	
48.0 kHz	N/A	12.2880	18.4320	24.5760	36.8640	N/A	N/A	
88.2 kHz	N/A	22.5792	33.8688	45.1584	N/A	N/A	N/A	Double
96.0 kHz	N/A	24.5760	36.8640	49.1520	N/A	N/A	N/A	
176.4 kHz	33.8688	45.1584	N/A	N/A	N/A	N/A	N/A	Quad
192.0 kHz	36.8640	49.1520	N/A	N/A	N/A	N/A	N/A	
384 kHz	N/A	N/A	N/A	N/A	N/A	N/A	N/A	Oct
768 kHz	N/A	N/A	N/A	N/A	N/A	N/A	N/A	Hex

(N/A: Not available)

(2)-2. Auto Setting Mode (AFSD bit= “0”, ACKS bit = “1”)

MCLK frequency and the sampling speed are detected automatically (Table 14) and DFS[2:0] bits are ignored. The MCLK frequency corresponding to each sampling speed should be provided externally (Table 15, Table 16).

Table 14. Sampling Speed (Auto Setting Mode)

MCLK		Sampling Speed
1152fs/1024fs		Normal (fs ≤ 32kHz)
512fs/256fs	768fs/384fs	Normal
256fs	384fs	Double
128fs	192fs	Quad
64fs	96fs	Oct
32fs	48fs	Hex

Table 15. System Clock Example (Auto Setting Mode)

LRCK fs	MCLK (MHz)					Sampling Speed
	32fs	48fs	64fs	96fs	128fs	
32.0 kHz	N/A	N/A	N/A	N/A	N/A	Normal
44.1 kHz	N/A	N/A	N/A	N/A	N/A	
48.0 kHz	N/A	N/A	N/A	N/A	N/A	
88.2 kHz	N/A	N/A	N/A	N/A	N/A	Double
96.0 kHz	N/A	N/A	N/A	N/A	N/A	
176.4 kHz	N/A	N/A	N/A	N/A	22.5792	Quad
192.0 kHz	N/A	N/A	N/A	N/A	24.5760	
384 kHz	N/A	N/A	24.576	36.864	N/A	Oct
768 kHz	24.576	36.864	N/A	N/A	N/A	Hex

(N/A: Not available)

Table 16. System Clock Example (Auto Setting Mode)

LRCK fs	192fs	MCLK (MHz)						Sampling Speed
		256fs	384fs	512fs	768fs	1024fs	1152fs	
32.0 kHz	N/A	8.1920	12.2880	16.3840	24.5760	32.7680	36.8640	Normal
44.1 kHz	N/A	11.2896	16.9344	22.5792	33.8688	N/A	N/A	
48.0 kHz	N/A	12.2880	18.4320	24.5760	36.8640	N/A	N/A	
88.2 kHz	N/A	22.5792	33.8688	N/A	N/A	N/A	N/A	Double
96.0 kHz	N/A	24.5760	36.8640	N/A	N/A	N/A	N/A	
176.4 kHz	33.8688	N/A	N/A	N/A	N/A	N/A	N/A	Quad
192.0 kHz	36.8640	N/A	N/A	N/A	N/A	N/A	N/A	
384 kHz	N/A	N/A	N/A	N/A	N/A	N/A	N/A	Oct
768 kHz	N/A	N/A	N/A	N/A	N/A	N/A	N/A	Hex

(N/A: Not available)

When MCLK= 256fs/384fs, auto setting mode supports sampling rate from 8kHz to 96kHz (Table 14). However, the DR and S/N performances will degrade approximately 3dB as compared to when MCLK = 256fs/384fs for DR and MCLK= 512fs/768fs for S/N, respectively if the sampling rate is under 54kHz.

Table 17. DR and S/N Relationship with MCLK Frequency (fs = 44.1kHz)

ACKS bit	MCLK	DR, S/N
0	256fs/384fs/512fs/768fs	123 dB
1	256fs/384fs	120 dB
	512fs/768fs	123 dB

Note 48. This Characteristic is supported by using External Circuit (Figure 74)

(2)-3. Sampling Frequency (FS) Auto Detect Mode (AFSD bi = "1")

MCLK frequency and the sampling rate is detected automatically (Table 14). In this mode, DFS[2:0] bits and ACKS bit settings are invalid. The MCLK frequency corresponding to each sampling speed should be provided externally (Table 18, Table 19). Internal operation sequence in FS auto detect mode is shown in Figure 24.

Table 18. System Clock Example 1 @PCM Mode

LRCK fs	MCLK(MHz)						Sampling Speed
	16fs	32fs	48fs	64fs	96fs	128fs	
32.0 kHz	N/A	N/A	N/A	N/A	N/A	N/A	Normal
44.1 kHz	N/A	N/A	N/A	N/A	N/A	N/A	
48.0 kHz	N/A	N/A	N/A	N/A	N/A	N/A	
88.2 kHz	N/A	N/A	N/A	N/A	N/A	N/A	Double
96.0 kHz	N/A	N/A	N/A	N/A	N/A	N/A	
176.4 kHz	N/A	N/A	N/A	N/A	N/A	22.5792	Quad
192.0 kHz	N/A	N/A	N/A	N/A	N/A	24.5760	
384 kHz	N/A	12.288	18.432	24.576	36.864	N/A	Oct
768 kHz	12.288	24.576	36.864	49.152	N/A	N/A	Hex

(N/A: Not available)

Table 19. System Clock Example 2 @PCM Mode

LRCK fs	MCLK (MHz)							Sampling Speed
	192fs	256fs	384fs	512fs	768fs	1024fs	1152fs	
32.0 kHz	N/A	8.1920	12.2880	16.3840	24.5760	32.768	36.8640	Normal
44.1 kHz	N/A	11.2896	16.9344	22.5792	33.8688	N/A	N/A	
48.0 kHz	N/A	12.2880	18.4320	24.5760	36.8640	N/A	N/A	
88.2 kHz	N/A	22.5792	33.8688	45.1584	N/A	N/A	N/A	Double
96.0 kHz	N/A	24.5760	36.8640	49.1520	N/A	N/A	N/A	
176.4 kHz	33.8688	45.1584	N/A	N/A	N/A	N/A	N/A	Quad
192.0 kHz	36.8640	49.1520	N/A	N/A	N/A	N/A	N/A	
384 kHz	N/A	N/A	N/A	N/A	N/A	N/A	N/A	Oct
768 kHz	N/A	N/A	N/A	N/A	N/A	N/A	N/A	Hex

(N/A: Not available)

(2)-4. Power-down/up sequence in FS Auto Detect Mode when using internal LDO.

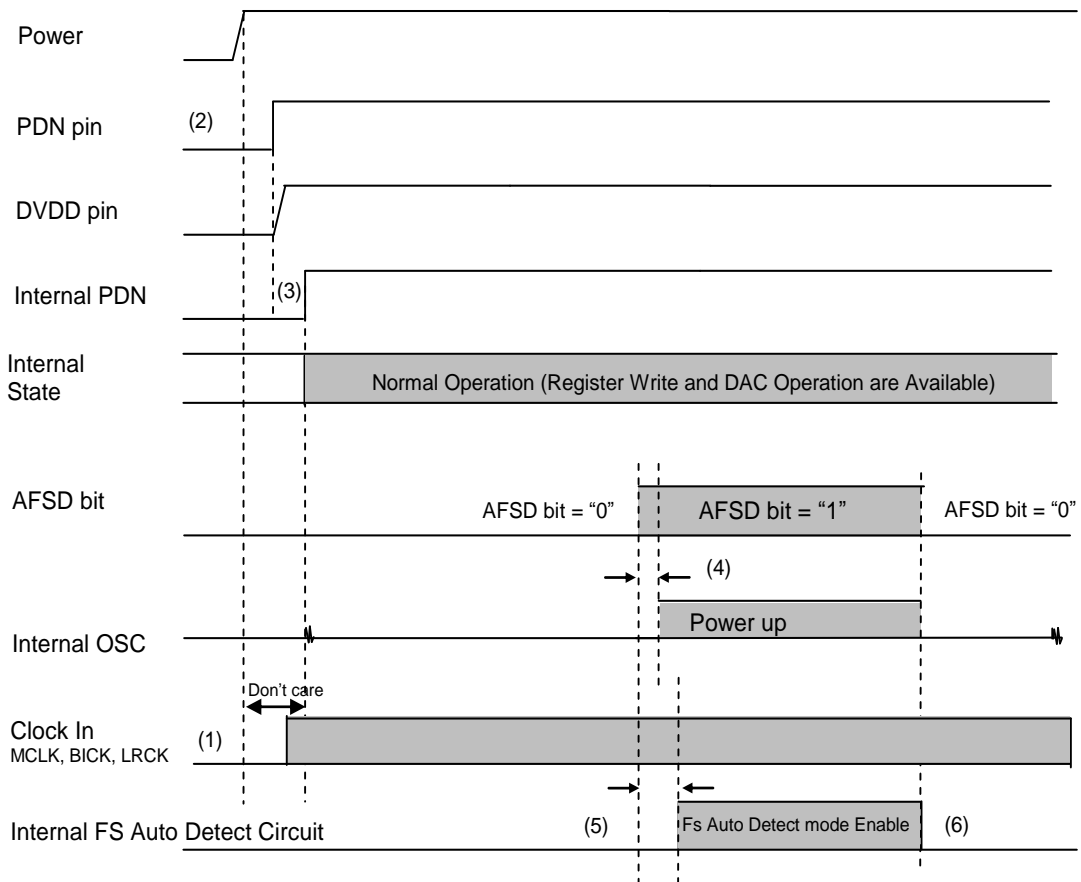


Figure 24. Power-down/up Sequence at FS AutoDetect Mode

Note:

- (1) Do not input a clock when power supplies are powered down.
- (2) The PDN pin must be held "L" for more than 150ns after turning on AVDD, TVDD and VDDL/R.
- (3) When the LDOE pin = "H", the internal LDO starts operation after power up. The internal circuit will be powered up after the shutdown switch is ON (max. 2ms) following the internal oscillator count up.
When the LDOE pin = "L", the internal shutdown switch is ON. The internal circuit will be powered up after the shutdown switch is ON (max. 1ms).
- (4) When AFSD bit = "1", the internal oscillator starts operation. It takes 10 us (max) until the oscillation frequency is stabilized.
- (5) After AFSD bit = "1", Fs Auto Detect Mode is started in $8/f_s \sim 9/f_s$.
- (6) After AFSD bit = "0", the Fs Auto Detect circuit stops internal operation and the OSC is stopped.

[2] DSD Mode

The AK4492 has a DSD playback function. The external clocks that are required in DSD mode are MCLK and DCLK. MCLK should be synchronized with DCLK but the phase is not critical. The frequency of MCLK is set by DCKS bit (Table 20).

The AK4492 is automatically placed in power-down state when MCLK is stopped during a normal operation (PDN pin = "H"), and the analog output becomes Hi-z state. When the reset is released (PDN pin = "L" → "H"), the AK4492 is in power-down state until MCLK and DCLK are input.

Table 20. System Clock (DSD Mode, fs = 32 kHz, 44.1 kHz, 48 kHz)

DCKS bit	MCLK Frequency	DCLK Frequency	
0	512fs	64fs/128fs/256fs	(default)
1	768fs	64fs/128fs/256fs	

The AK4492 supports DSD data stream of 2.8224MHz (64fs), 5.6448MHz (128fs) and 11.2896MHz (256fs). The data sampling speed is selected by DSDSEL[1:0] bits (Table 21).

Table 21. DSD Data Stream Select

DSDSEL1	DSDSEL0	DSD data stream			
		fs = 32 kHz	fs = 44.1 kHz	fs = 48 kHz	
0	0	2.048 MHz	2.8224 MHz	3.072 MHz	(default)
0	1	4.096 MHz	5.6448 MHz	6.144 MHz	
1	0	8.192 MHz	11.2896 MHz	12.288 MHz	
1	1	N/A	N/A	N/A	

The AK4492 has a Volume bypass function for play backing DSD signal. Two modes are selectable by DSDD bit (Table 22). When setting DSDD bit = "1", the output volume control and zero detect functions are not available.

Table 22. DSD Playback Path Select

DSDD	Mode	
0	Normal Path	(default)
1	Volume Bypass	

[3] External Digital Filter Mode (EXDF Mode)

The external clocks that are required in EXDF mode are MCLK, BCK and WCK. The BCK and MCLK clocks must be the same frequency and must not burst. BCK and MCLK frequencies for each sampling speed are shown in Table 23. ECS bit selects WCK frequency from 384kHz and 768kHz. DW indicates the number of BCK in one WCK cycle.

All circuits except the internal LDO are automatically placed in power-down state when MCLK edge is not detected for more than 1us during a normal operation (PDN pin = "H"), and the analog output becomes Hi-Z state. The power-down state is released and the AK4492 starts operation by inputting MCLK again. In this case, register settings are not initialized.

When the reset is released (PDN pin = "L" → "H"), the AK4492 is in power-down state until MCLK, BCK and WCK are input.

Table 23. System Clock Example (EXDF Mode)

Sampling Speed[kHz]	MCLK&BCK [MHz]						WCK	ECS
	128fs	192fs	256fs	384fs	512fs	768fs		
44.1(30~48)	N/A	N/A	N/A	N/A	22.5792	33.8688	16fs	0 (default)
					32	48	DW	
44.1(30~48)	N/A	N/A	11.2896	16.9344	N/A	33.8688	8fs	1
			32	48		96	DW	
96(54~96)	N/A	N/A	24.576	36.864	N/A	N/A	8fs	0
			32	48			DW	
96(54~96)	12.288	18.432	N/A	36.864	N/A	N/A	4fs	1
	32	48		96			DW	
192(108~192)	24.576	36.864	N/A	N/A	N/A	N/A	4fs	0
	32	48					DW	
192(108~192)	N/A	36.864	N/A	N/A	N/A	N/A	2fs	1
		96					DW	

■ Audio Interface Format

[1] PCM Mode

(1) Input Data Format

Data is shifted in via the SDATA pin using BICK and LRCK inputs. Eight data formats are supported and selected by the DIF2-0 pins (Pin control mode) or DIF[2:0] bits (Register control mode) as shown in [Table 24](#). In all formats the serial data is MSB first, 2's compliment format and is read on the rising edge of BICK. Mode 2 can be used for 20-bit and 16-bit MSB justified formats by zeroing the unused LSBs.

Normal Mode (TDM[1:0] bits = "00" or TDM1-0 pins = "LL")

2ch Data is shifted in via the SDATA pin using BICK and LRCK inputs. Eight data formats are supported and selected by the DIF2-0 pins (Pin control mode) or DIF[2:0] bits (Register control mode) as shown in [Table 24](#). In all formats the serial data is MSB first, 2's compliment format and is read on the rising edge of BICK. Mode 6 can be used for 24-bit, 20-bit and 16-bit MSB justified formats by zeroing the unused LSBs.

TDM128 Mode (TDM[1:0] bits = "01" or TDM1-0 pins = "LH")

4ch Data is shifted in via the SDATA pin using BICK and LRCK inputs. Data slot can be selected by SDS[2:0] bits ([Table 25](#)). BICK is fixed to 128fs. Six data formats are supported and selected by the DIF2-0 pins (Pin control mode) or DIF[2:0] bits (Register control mode) as shown in [Table 24](#). In all formats the serial data is MSB first, 2's compliment format and is read on the rising edge of BICK.

TDM256 Mode (TDM[1:0] bits = "10" or TDM1-0 pins = "HL")

8ch Data is shifted in via the SDATA pin using BICK and LRCK inputs. Data slot can be selected by SDS[2:0] bits ([Table 25](#)). BICK is fixed to 256fs. Six data formats are supported and selected by the DIF2-0 pins (Pin control mode) or DIF[2:0] bits (Register control mode) as shown in [Table 24](#). In all formats the serial data is MSB first, 2's compliment format and is read on the rising edge of BICK.

TDM512 Mode (TDM[1:0] bits = "11" or TDM1-0 pins = "HH")

16ch Data is shifted in via the SDATA pin using BICK and LRCK inputs. Data slot can be selected by SDS[2:0] bits ([Table 25](#)). BICK is fixed to 512fs. Six data formats are supported and selected by the DIF2-0 pins (Pin control mode) or DIF[2:0] bits (Register control mode) as shown in [Table 24](#). In all formats the serial data is MSB first, 2's compliment format and is read on the rising edge of BICK.

Table 24. Audio Interface Format

Mode		TDM1 bit	TDM0 bit	DIF2 bit	DIF1 bit	DIF0 bit	SDATA Format	LRCK	BICK	Figure
Normal (Note 49)	0	0	0	0	0	0	16-bit LSB justified	H/L	≥ 32fs	Figure 25
	1			0	0	1	20-bit LSB justified	H/L	≥ 40fs	Figure 26
	2			0	1	0	24-bit MSB justified	H/L	≥ 48fs	Figure 27
	3			0	1	1	16-bit I ² S Compatible	L/H	32fs	Figure 28
							24-bit I ² S Compatible	L/H	≥ 48fs	
	4			1	0	0	24-bit LSB justified	H/L	≥ 48fs	Figure 26
	5			1	0	1	32-bit LSB justified	H/L	≥ 64fs	Figure 29
	6			1	1	0	32-bit MSB justified	H/L	≥ 64fs	Figure 30
7	1	1	1	32-bit I ² S Compatible	L/H	≥ 64fs	Figure 31			
TDM128	-	0	1	-	-	-	N/A	-	-	-
	-			-	-	N/A	-	-	-	
	8			0	1	0	24-bit MSB justified	H/L	128fs	Figure 32
	9			0	1	1	24-bit I ² S Compatible	L/H	128fs	Figure 33
	10			1	0	0	24-bit LSB justified	H/L	128fs	Figure 34
	11			1	0	1	32-bit LSB justified	H/L	128fs	Figure 32
	12			1	1	0	32-bit MSB justified	H/L	128fs	Figure 32
	13			1	1	1	32-bit I ² S Compatible	L/H	128fs	Figure 33
TDM256	-	1	0	-	-	-	N/A	-	-	-
	-			-	-	N/A	-	-	-	
	14			0	1	0	24-bit MSB justified	H/L	256fs	Figure 35
	15			0	1	1	24-bit I ² S Compatible	L/H	256fs	Figure 36
	16			1	0	0	24-bit LSB justified	H/L	256fs	Figure 37
	17			1	0	1	32-bit LSB justified	H/L	256fs	Figure 35
	18			1	1	0	32-bit MSB justified	H/L	256fs	Figure 35
	19			1	1	1	32-bit I ² S Compatible	L/H	256fs	Figure 36
TDM512	-	1	1	-	-	-	N/A	-	-	-
	-			-	-	N/A	-	-	-	
	20			0	1	0	24-bit MSB justified	H/L	512fs	Figure 38
	21			0	1	1	24-bit I ² S Compatible	L/H	512fs	Figure 39
	22			1	0	0	24-bit LSB justified	H/L	512fs	Figure 40
	23			1	0	1	32-bit LSB justified	H/L	512fs	Figure 38
	24			1	1	0	32-bit MSB justified	H/L	512fs	Figure 38
	25			1	1	1	32-bit I ² S Compatible	L/H	512fs	Figure 39

Note 49. BICK more than setting bit must be input to each channel. In the LRCK column, "H/L" indicates that L channel data can be input when LRCK is "H" and R channel data can be input when LRCK is "L". "L/H" indicates L channel data can be input when LRCK is "L" and R channel data can be input when LRCK is "H".

Note 50. The default settings in Register Control Mode are shown below.

TDM1 bit = "0", TDM0 bit = "0", DIF2 bit = "1", DIF1 bit = "1", DIF0 bit = "0"

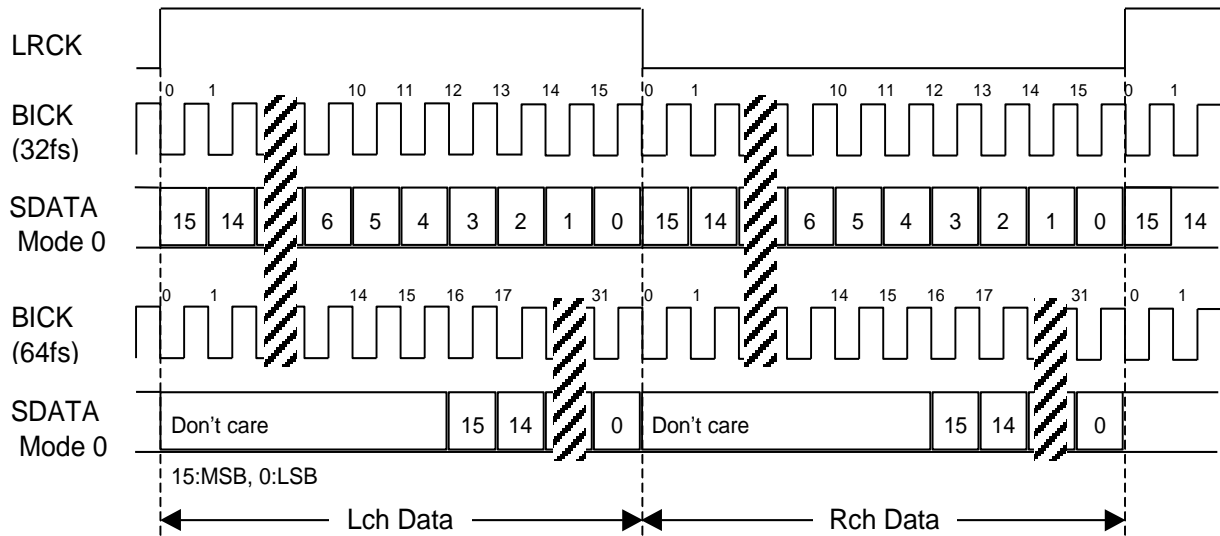


Figure 25. Mode 0 Timing

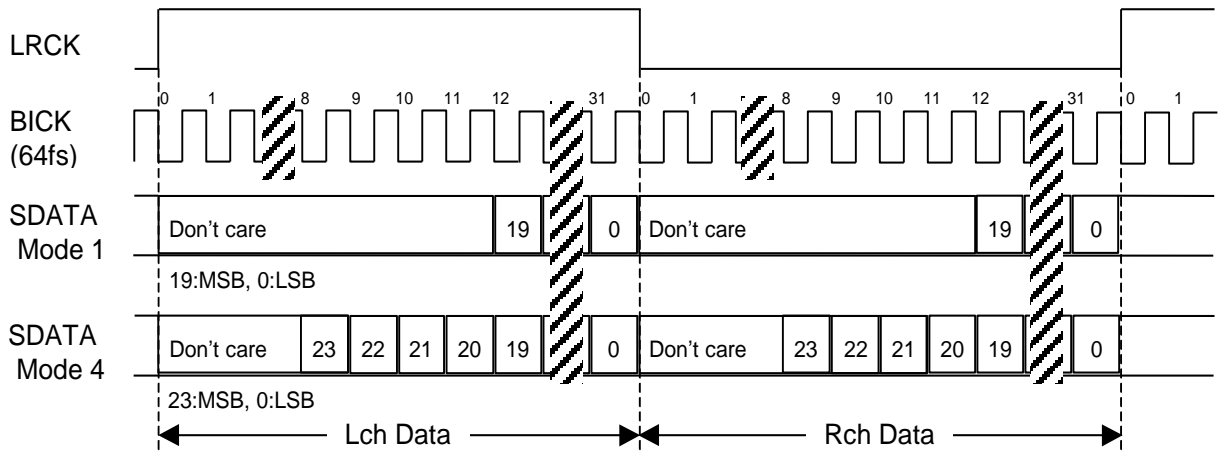


Figure 26. Mode 1, 4 Timing

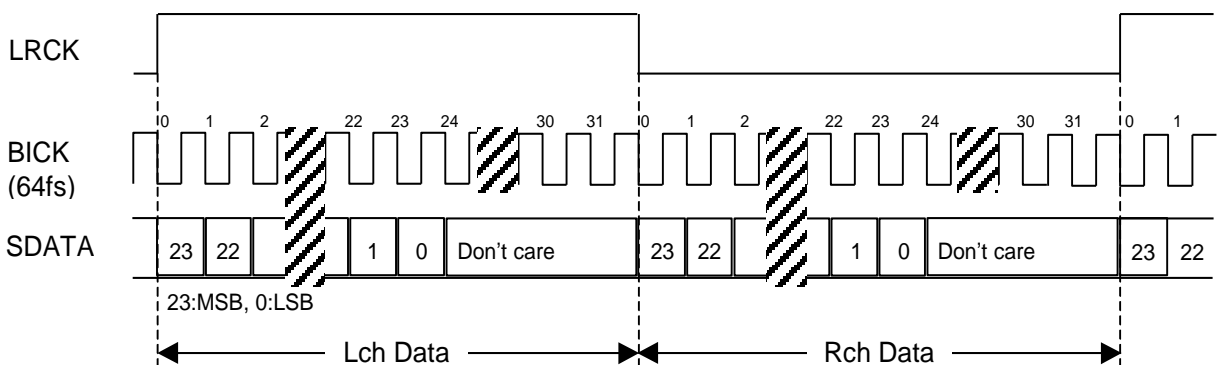


Figure 27. Mode 2 Timing

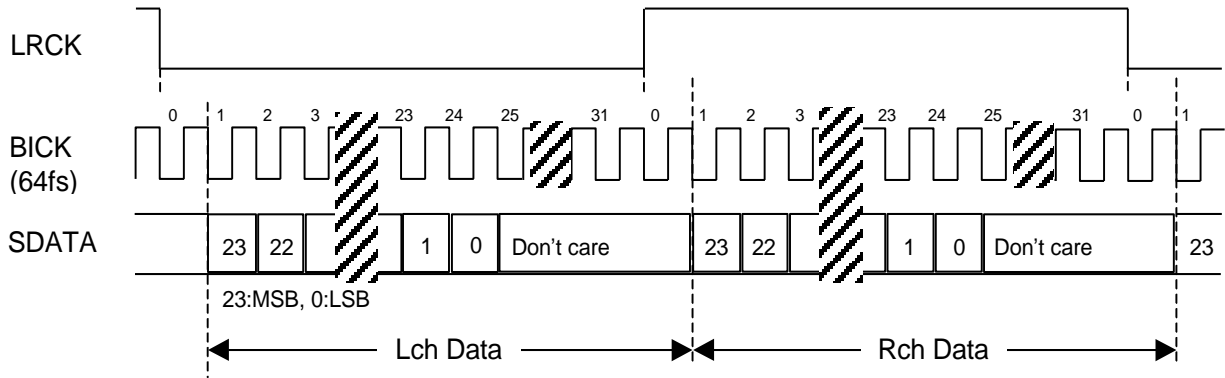


Figure 28. Mode 3 Timing

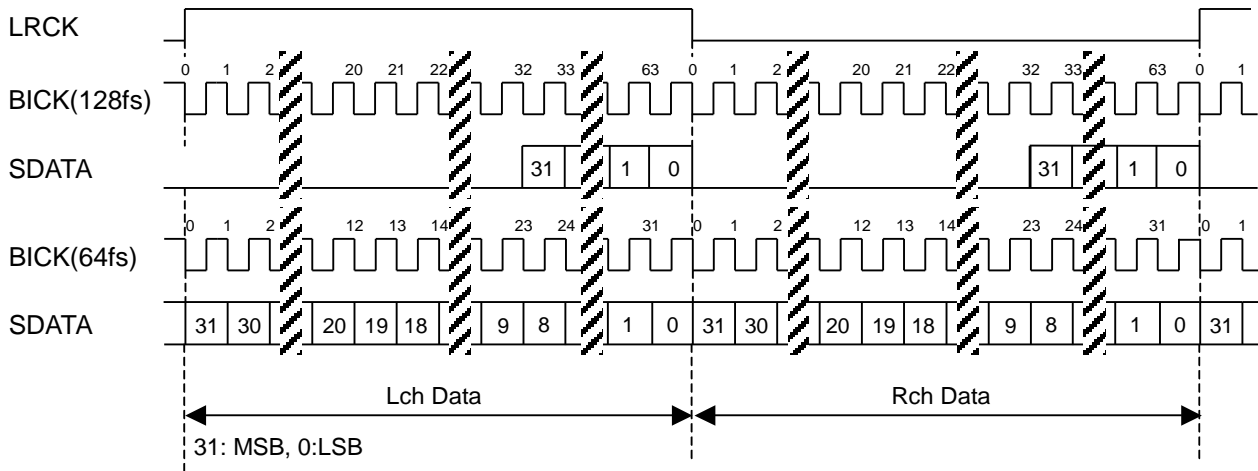


Figure 29. Mode 5 Timing

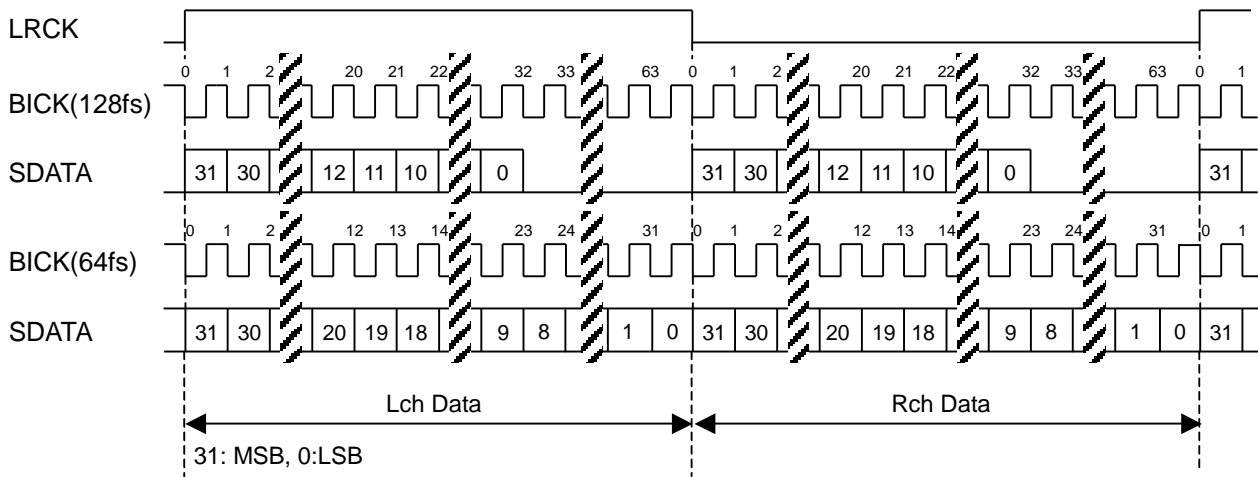


Figure 30. Mode 6 Timing

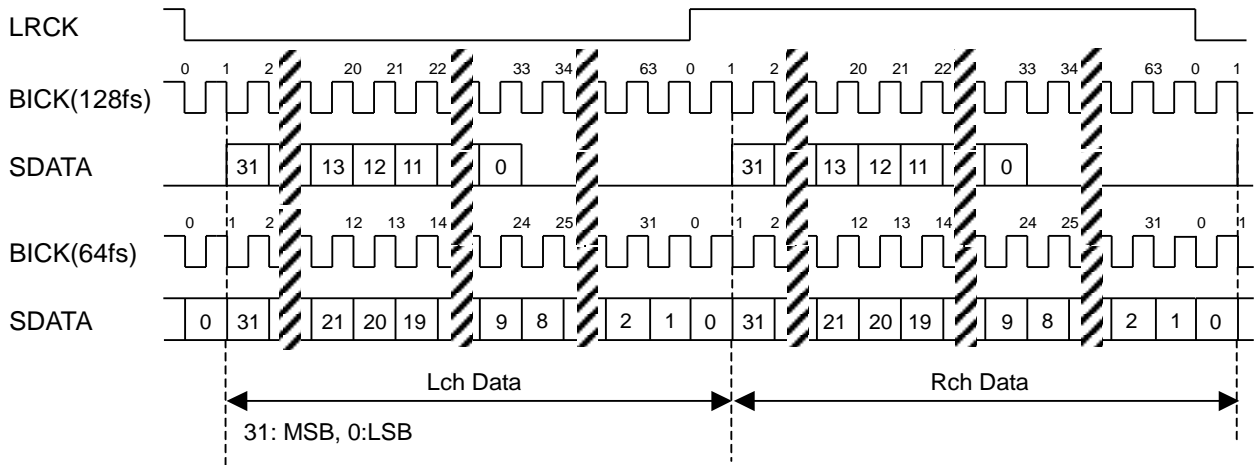


Figure 31. Mode 7 Timing

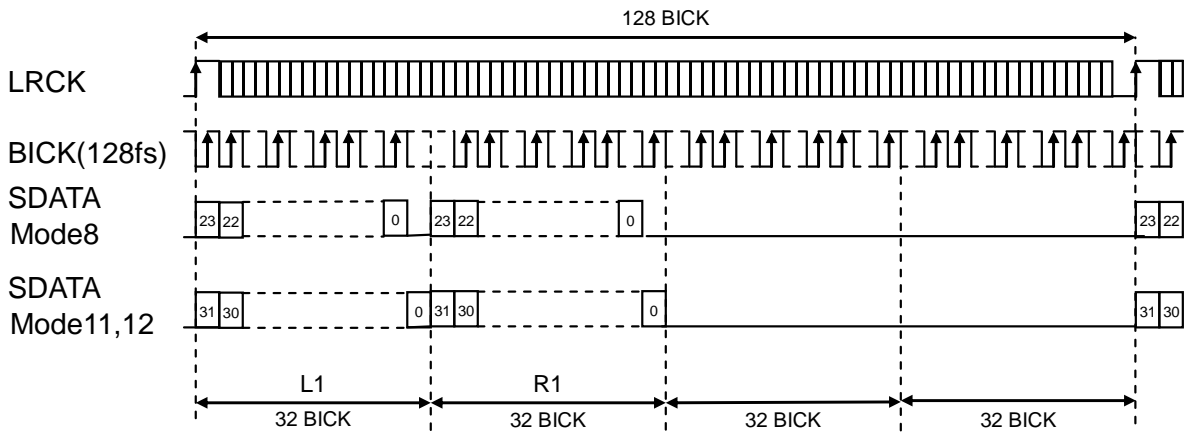


Figure 32. Mode 8/11/12 Timing

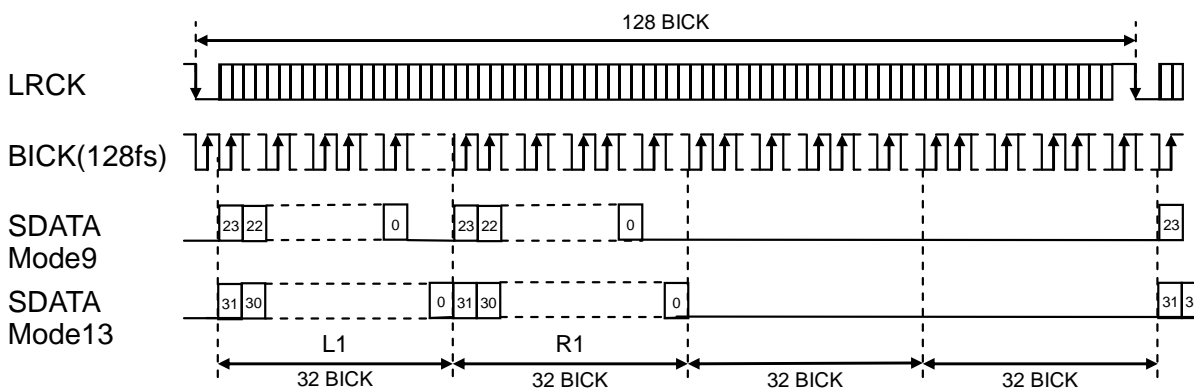


Figure 33. Mode 9/13 Timing

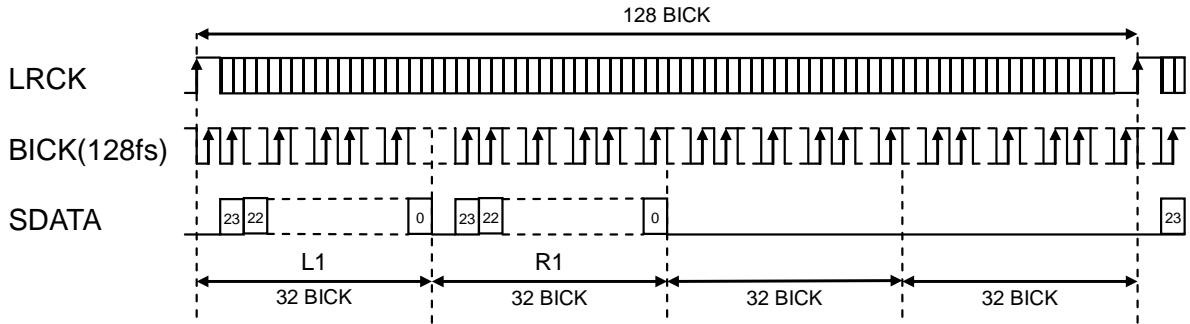


Figure 34. Mode 10 Timing

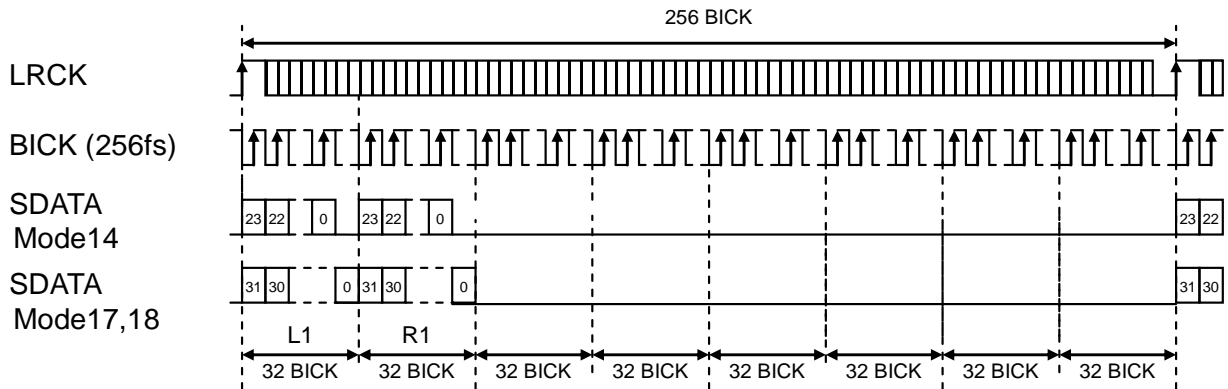


Figure 35. Mode 14/17/18 Timing

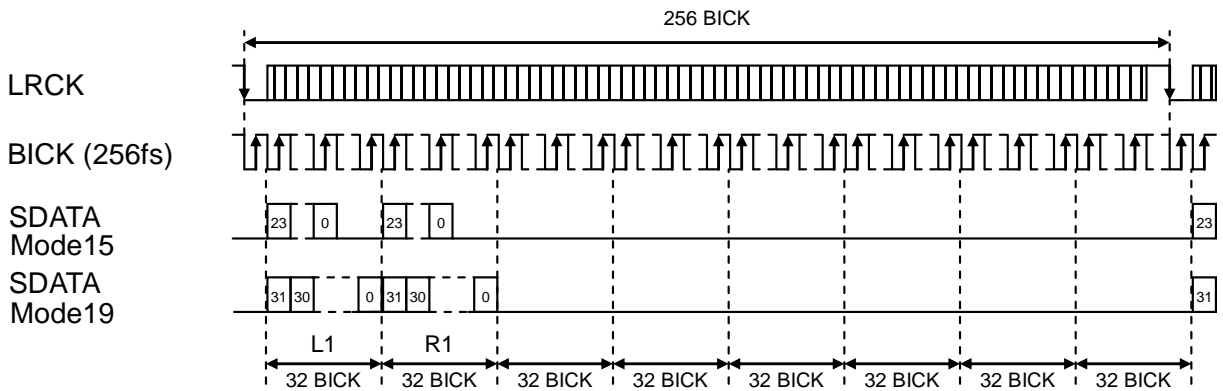


Figure 36. Mode 15/19 Timing

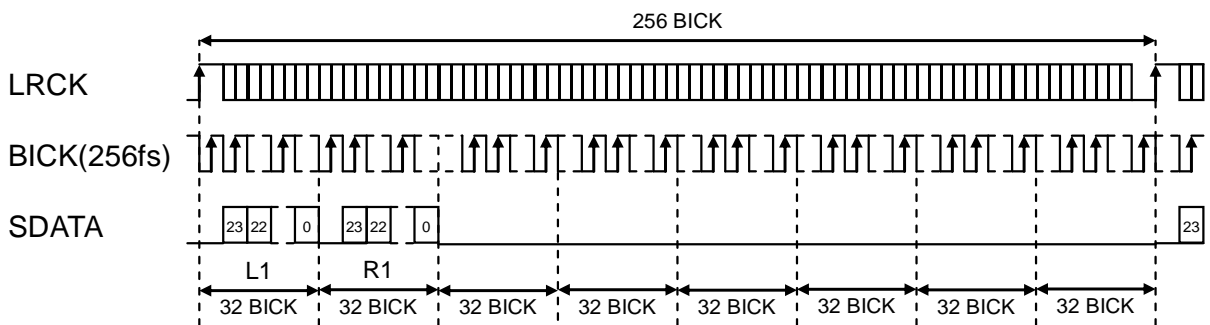


Figure 37. Mode 16 Timing

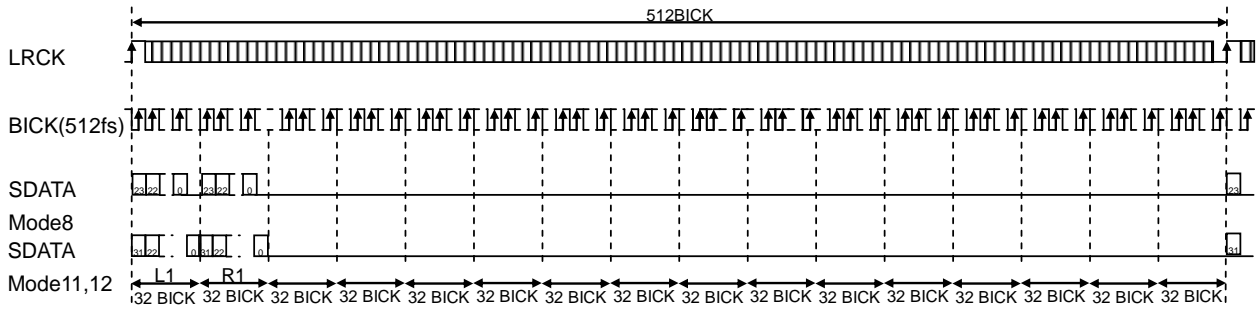


Figure 38. Mode 20/23/24 Timing

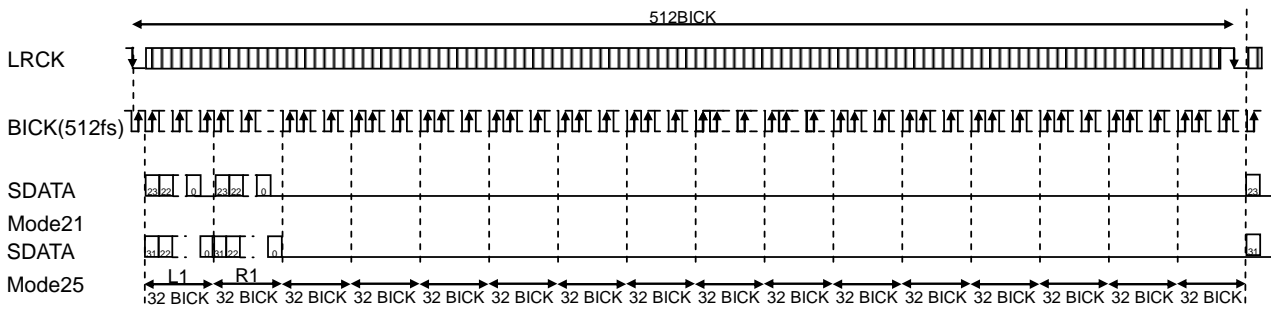


Figure 39. Mode 21/25 Timing

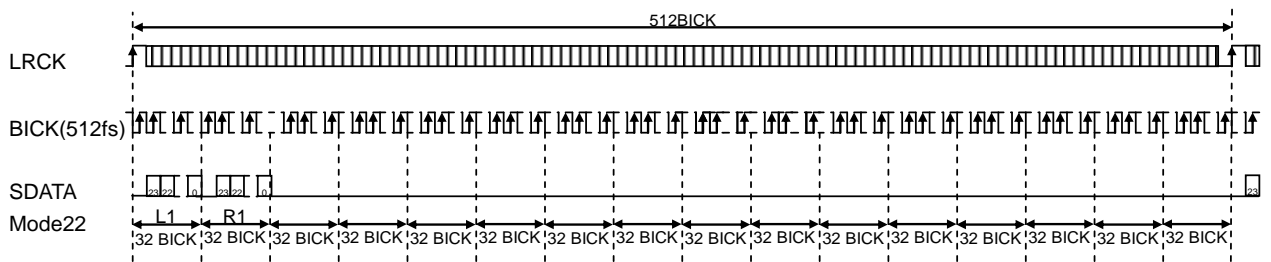


Figure 40. Mode 22 Timing

(2) Data Slot Selection Function

Data slot of 1 cycle LRCK for each audio data format is defined as Figure 41 ~ Figure 44. DAC output data can be selected by SDS[2:0] bits as shown in Table 26.

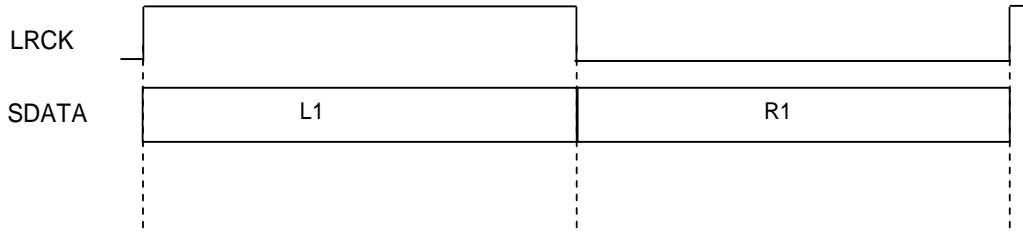


Figure 41. Data Slot in Normal Mode

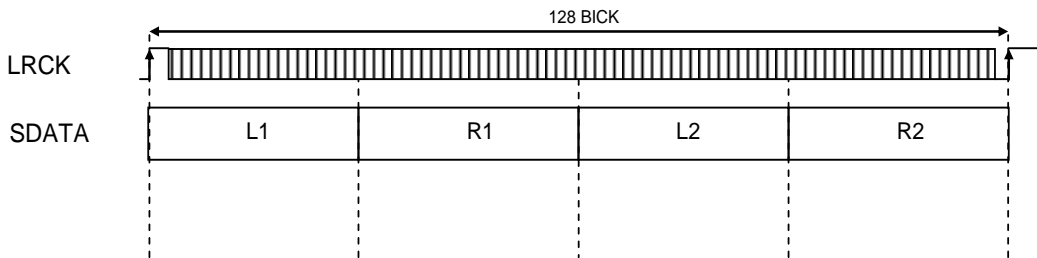


Figure 42. Data Slot in TDM128 Mode

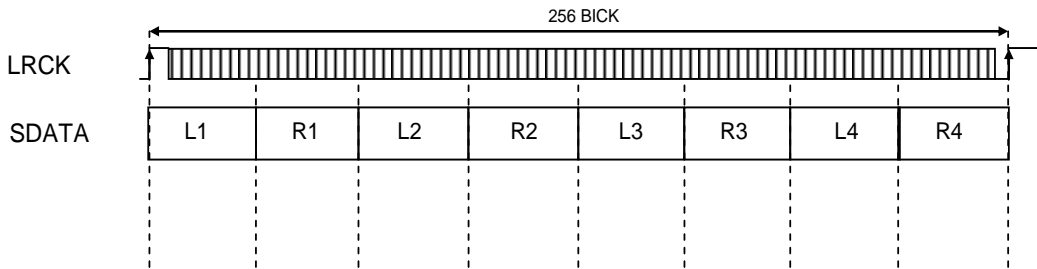


Figure 43. Data Slot in TDM256 Mode

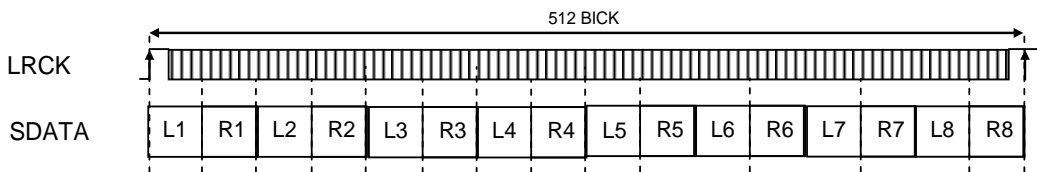


Figure 44. Data Slot in TDM512 Mode

Table 25. Output Data Slot Selection of Each Channel

	TDM1	TDM0	SDS2	SDS1	SDS0	DAC	
						Lch	Rch
Normal	0	0	x	x	x	L1	R1
TDM128	0	1	x	x	0	L1	R1
			x	x	1	L2	R2
TDM256	1	0	x	0	0	L1	R1
			x	0	1	L2	R2
			x	1	0	L3	R3
			x	1	1	L4	R4
TDM512	1	1	0	0	0	L1	R1
			0	0	1	L2	R2
			0	1	0	L3	R3
			0	1	1	L4	R4
			1	0	0	L5	R5
			1	0	1	L6	R6
			1	1	0	L7	R7
			1	1	1	L8	R8

(x: Do not care)

(3) Daisy Chain

The AK4492 supports cascading of multiple devices by daisy chain connection in TDM512/256 mode (TDM[1:0] bits = "10", "11"). DCHAIN bit or DCHAIN pin controls Daisy Chain mode (Table 26). SDS[2:0] bits setting will be invalid in Daisy Chain mode.

Table 26. Daisy Chain Control

DCHAIN bit DCHAIN pin	Mode	TDMO pin	
0	Normal	L	(default)
1	Daisy Chain	Data output	

(3)-1. TDM512 Mode

Figure 45 shows daisy chain connection in TDM512 mode (TDM[1:0] bits = "11"). 16ch data is input to the SDATA pin of the second AK4492 and the TDMO pin of the second AK4492 is connected to the SDATA pin of the first AK4492.

Figure 46 shows data input/output example of daisy chain in TDM512 mode. The second AK4492 receives L8 and R8 data as DAC inputs and outputs the data by shifting 2ch from the TDMO pin. The first AK4492 receives L7 and R7 data as DAC input. Settings of DIF[2:0] bits of the first and second AK4492's must be the same.

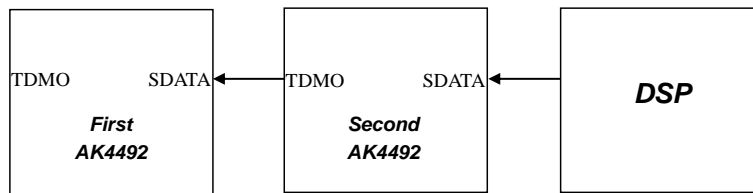


Figure 45. Daisy Chain (TDM512 Mode)

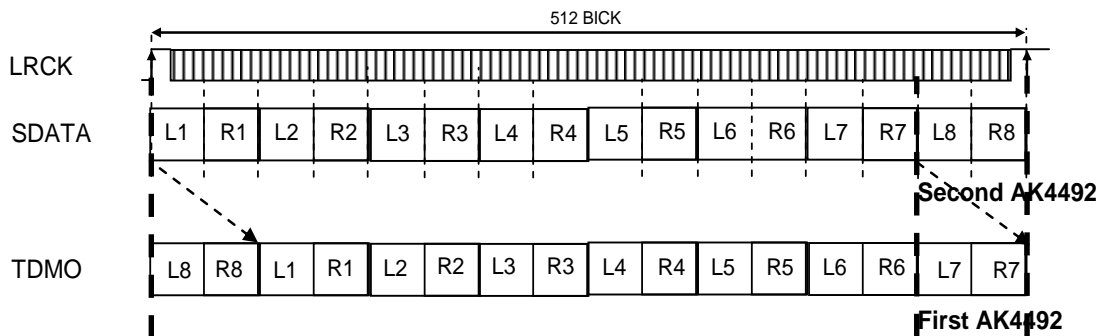


Figure 46. Daisy Chain (TDM512 Mode)

(3)-2. TDM256 Mode

Figure 45 shows daisy chain connection in TDM256 mode (TDM[1:0] bits = "10"). 8ch data is input to the SDATA pin of the second AK4492 and the TDMO pin of the second AK4492 is connected to the SDATA pin of the first AK4492.

Figure 47 shows data input/output example of daisy chain in TDM256 mode. The second AK4492 receives L4 and R4 data as DAC inputs and outputs the data from the TDMO pin by shifting 2ch. The first AK4492 receives L3 and R3 data as DAC input. Settings of DIF[2:0] bits of the first and second AK4492's must be the same.

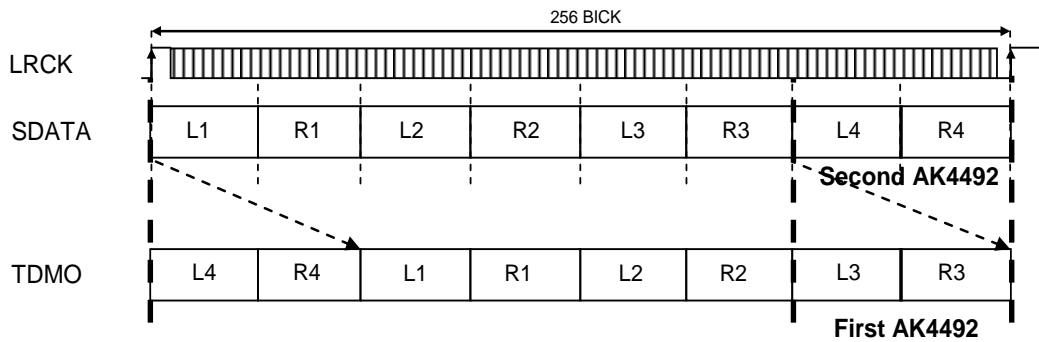


Figure 47. Daisy Chain (TDM256 Mode)

[2] DSD Mode

In DSD mode, L channel data and R channel data must be input to the DSDL pin and the DSDR pin, respectively by synchronizing to DCLK. Input pins can be selected by DSDPATH bit. When DSDPATH bit = "0", the TDM0 pin, the DEM pin and the GAIN pin become DCLK, DSDL and DSDR input pins, respectively. When DSDPATH bit = "1", the BICK pin, the SDATA pin and the LRCK pin become DCLK, DSDL and DSDR input pins, respectively.

In case of DSD mode, the settings of DIF2-0 pins and DIF[2:0] bits are ignored. The frequency of DCLK is selected between 64fs, 128fs and 256fs by DSDSEL[1:0] bits. Polarity of DCLK is possible to reverse at DCKB bit.

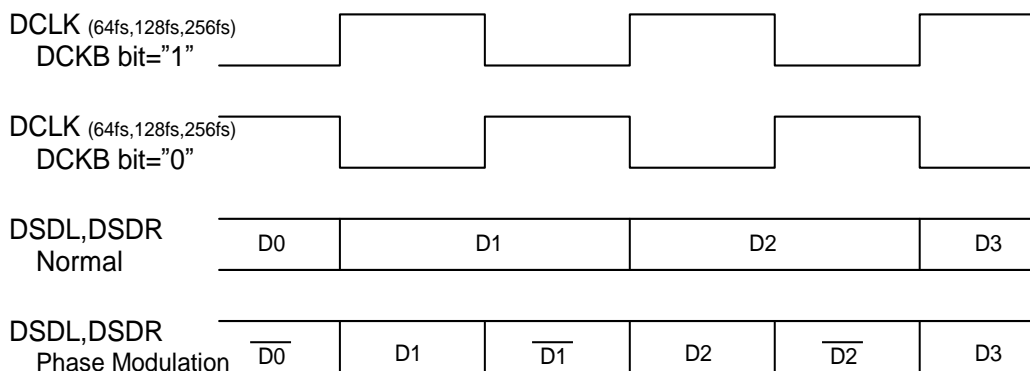


Figure 48. DSD Mode Timing

[3] External Digital Filter Mode (EXDF Mode)

The audio data is input by BCK and WCK from the DINL and DINR pins. Three formats are available (Table 27) by DIF2-0 bits setting. The data is latched on the rising edge of BCK. The BCK and MCLK clocks must not burst.

Table 27. Audio Interface Format (EXDF Mode)

Mode	DIF2	DIF1	DIF0	Input Format
0	0	0	0	16-bit LSB justified
1	0	0	1	N/A
2	0	1	0	16-bit LSB justified
3	0	1	1	N/A
4	1	0	0	24-bit LSB justified
5	1	0	1	32-bit LSB justified
6	1	1	0	24-bit LSB justified (default)
7	1	1	1	32-bit LSB justified

(N/A: Not available)

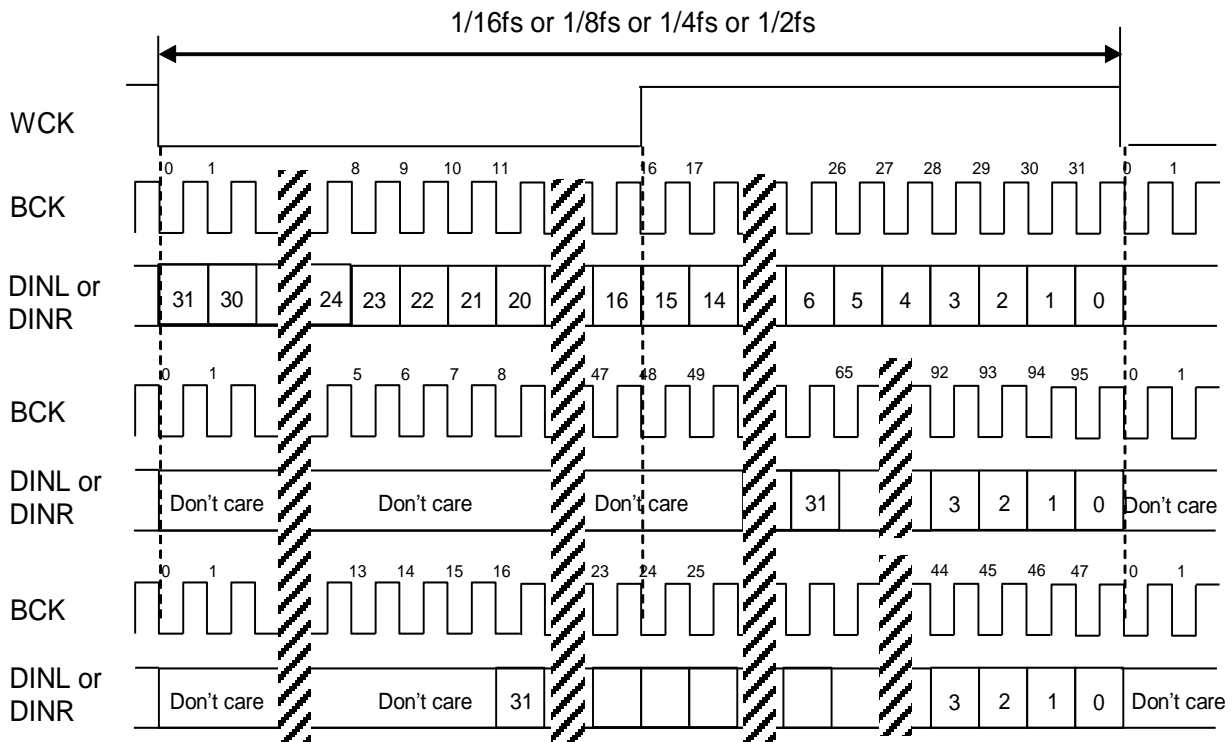


Figure 49. EXDF Mode Timing

■ Digital Filter

Six types of digital filter in PCM mode and two types of digital filter in DSD mode are available in the AK4492 for sound color selection of music playback.

In PCM mode, digital filter can be selected by the SD, SLOW and SSLOW pins if the AK4492 is in pin control mode, and digital filter can be selected by SD, SLOW and SSLOW bits in register control mode (Table 28).

Table 28. Digital Filter Setting

SSLOW	SD	SLOW	Mode
0	0	0	Sharp roll-off filter
0	0	1	Slow roll-off filter
0	1	0	Short delay sharp roll-off filter
0	1	1	Short delay slow roll-off filter
1	0	0	Super slow roll-off filter
1	0	1	Super slow roll-off filter
1	1	0	Low dispersion Short delay filter)
1	1	1	N/A

(default)

Note 51. Do not use Reserved mode (SSLOW bit= "1", SD bit= "1", SLOW bit= "1") in PCM mode.

In DSD mode, the cutoff frequency of digital filter can be switched by DSDF bit. Table 29 shows the cutoff frequency of $f_s = 44.1$ kHz. The cutoff frequency tracks the sampling frequency (f_s). Do not set GC[2:0] bits to "100" when DSDD bit = "0" and DSDF bit = "1". Otherwise a pop noise may occur.

Table 29. DSD Filter Select

DSDF bit	Cut Off Frequency @ $f_s=44.1$ kHz,		
	DSD64fs	DSD128fs	DSD256fs
0	39 kHz	78 kHz	156 kHz
1	76 kHz	152 kHz	304 kHz

(default)

■ De-emphasis Filter (PCM Mode)

A digital de-emphasis filter is available for 32kHz, 44.1kHz or 48kHz sampling rates ($t_c = 50/15\mu s$) and is enabled or disabled by DEM1-0 pins or DEM1-0 bits. When DSD mode or EXDF mode, DEM1-0 bits are ignored. The setting value is held even if PCM, DSD and EXDF mode is switched.

Table 30. De-emphasis Control

DEM1	DEM0	Mode
0	0	44.1 kHz
0	1	OFF
1	0	48 kHz
1	1	32 kHz

(default)

■ Output Volume (PCM Mode, DSD Mode, EXDF Mode)

The AK4492 includes channel independent digital output volumes (ATTL/R) with 256 levels at 0.5dB step including MUTE. When changing output levels, it is executed in soft transition thus no switching noise occurs during these transitions. It can attenuate the input data from 0dB to -127dB and mute when assuming the output signal level is 0dB when ATTL/R[7:0] bits = "FFH".

Table 31. Attenuation level of Digital Attenuator

ATTL/R[7:0]bits (register 03-04H)	Attenuation Level
FFH	+0 dB
FEH	-0.5 dB
FDH	-1.0 dB
:	:
02H	-126.5 dB
01H	-127.0 dB
00H	MUTE (-∞)

(default)

The transition time of digital output volume is set by ATS[1:0] bits (Table 32). When changing output levels between Mode0-3, it is executed in soft transition thus no switching noise occurs during these transitions. Register setting values will be kept even switching the PCM and DSD modes.

Table 32. Transition Time between Set Values of ATT[7:0] bits

Mode	ATS1	ATS0	ATT speed		
			EXDF bit = "0", DP bit = "0"	EXDF bit = "1", DP bit = "0"	DP bit = "1"
0	0	0	4080/fs	4080*WCK Cycle	4080/(2*fs)
1	0	1	2040/fs	2040*WCK Cycle	2040/(2*fs)
2	1	0	510/fs	510*WCK Cycle	510/(2*fs)
3	1	1	255/fs	255*WCK Cycle	255/(2*fs)

(default)

It takes 4080/fs (92.5ms@fs=44.1kHz) from "FFH" (0dB) to "00H" (MUTE) in Mode 0. The attenuation level is initialized to "FFH" (0dB) by setting the PDN pin = "L".

If the volume is changed during reset period, the output volume will become a setting value after releasing the reset. It will change to a setting value immediately if the volume is changed within 5/fs after releasing reset.

■ Gain Adjustment Function (PCM Mode, DSD Mode, EXDF Mode)

The AK4492 has the gain adjustment function. The analog output amplitude can be adjusted by GC[2:0] bits or the GAIN pin.

Table 33. Output Level between Set Values of GC[2:0] bits

GC[2] bit	GC[1] bit	GC[0] bit	AOUTLP/LN/RP/RN Output Level			
			PCM	DSD: Normal Path	DSD: Volume Bypass	
0	0	0	2.8 Vpp	2.8 Vpp	2.5 Vpp	(default)
0	0	1	2.8 Vpp	2.5 Vpp	2.5 Vpp	
0	1	0	2.5 Vpp	2.5 Vpp	2.5 Vpp	
0	1	1	2.5 Vpp	2.5 Vpp	2.5 Vpp	
1	0	0	3.75 Vpp	3.75 Vpp	2.5 Vpp	
1	0	1	3.75 Vpp	2.5 Vpp	2.5 Vpp	
1	1	0	2.5 Vpp	2.5 Vpp	2.5 Vpp	
1	1	1	2.5 Vpp	2.5 Vpp	2.5 Vpp	

Table 34. Output Level between Set Values of GAIN pin (Valid Only in PCM Mode)

GAIN pin	AOUTLP/LN/RP/RN Output Level
L	2.8 Vpp
H	3.75 Vpp

Note 52. DSDF bit must be set to "0" if GC[2:0] bits are set to "100" when using DSD Normal Path. Click noise may occur if DSDF bit is set to "1".

■ Zero Detection (PCM Mode, DSD Mode, EXDF Mode)

The AK4492 has a channel-independent zero detect function. When the input data at each channel is continuously zeros for 8192 LRCK cycles, the DZF pin of each channel outputs zero detection flag independently. Polarity of the detection flag of the DZFL/R pin can be selected by DZFB bit. The DZFL/R pin goes “H” for zero detection when DZFB bit = “0”, the DZFL/R pin goes “L” when DZFB bit = “1”.

When DZFB bit = “0”, the DZFL/R pin immediately returns to “L” if the input data of each channel is not zero after going to “H”. If the RSTN bit is “0”, the DZF pins of both L and R channels go to “H”. The DZFL/R pin returns to “L” in $4 \sim 5/f_s$ after the input data of each channel becomes “1” when RSTN bit is set to “1”.

If DZFM bit is set to “1” while DZFB bit = “0”, the DZF pins of both L and R channels go to “H” only when the input data for both channels are continuously zeros for 8192 LRCK cycles. The zero detect function can be disabled by setting the DZFE bit. In this case, DZF pins of both channels are always “L”. The zero detect function is also disabled when Volume Bypass is selected in DSD mode ([Table 22](#)).

Table 35. Zero Detect Select.

DZFE	DZFB	RSTN	Data	DZF pin	
0	0	-	-	L	
	1	-	-	H	
1	0	0	-	H	
		1	not zero	L	
	zero detect		H		
	1	0	0	-	L
			1	not zero	H
		1		zero detect	L

(-: Do not care)

■ L/R Channel Output Signal Select, Phase Inversion Function (PCM Mode, DSD Mode, EXDF Mode)

In register control mode, input and output combination of the AK4492 can be changed by MONO bit and SELLR bit. In addition, the output signal phase can be inverted by INVL bit and INVR bit. These functions are available on all audio formats. In pin control mode, the phase of R channel output can be inverted by setting the INVR pin.

Table 36. Output Select (Register Control)

MONO bit	SELLR bit	INVL bit	INVR bit	Lch Out	Rch Out
0	0	0	0	Lch In	Rch In
		0	1	Lch In	Rch In Invert
		1	0	Lch In Invert	Rch In
		1	1	Lch In Invert	Rch In Invert
0	1	0	0	Rch In	Lch In
		0	1	Rch In	Lch In Invert
		1	0	Rch In Invert	Lch In
		1	1	Rch In Invert	Lch In Invert
1	0	0	0	Lch In	Lch In
		0	1	Lch In	Lch In Invert
		1	0	Lch In Invert	Lch In
		1	1	Lch In Invert	Lch In Invert
1	1	0	0	Rch In	Rch In
		0	1	Rch In	Rch In Invert
		1	0	Rch In Invert	Rch In
		1	1	Rch In Invert	Rch In Invert

Table 37. Output Select (Pin Control)

INVR pin	Lch Out	Rch Out
0	Lch In	Rch In
1	Lch In	Rch In Invert

■ DSD Signal Full Scale (FS) Detection

The AK4492 has independent full scale detection function for each channel in DSD mode. The AK4492 detects full scale signal when the DSDL/R input data is continuously “0” (-FS) or “1” (+FS) for 2048 cycles and the detection flag for corresponding channel (DML or DMR bit) becomes “1”. DML and DMR bits can be read out at the register address “06H”.

When the AK4492 detects full scale signal while DDM bit = “1”, the analog output is muted according to [Table 38](#). ATS[2:0] bits control a mute transition time. ATS[2:0] bits and DSDD bit settings are also valid when the AK4492 returns to normal status from full scale detection status.

The recovery timing from full scale detection status and the operation mode of full scale detection are controlled by DDM bit, DMC bit and DMRE bit. RSTN bit must be set to “0” when changing DDM bit setting.

Table 38. DSD Mode and Device Status after Full-Scale Detection (DDM bit= “1”)

DSDD	Mode	Analog Output	Mute Transition Method
0	Normal Path	VCML/R (Mute)	Soft Mute
1	Volume Bypass	VCML/R (Mute)	Rapid Mute

(default)

Table 39. Recovery Method to Normal Operation Mode from Full Scale Detection Status

DDM	DMC	DMRE	Status After Detection
0	x	x	When full scale is detected, Mute function is disabled.
1	0	x	When full scale is detected, Mute function is enabled. The AK4492 returns to normal operation automatically by a normal signal input.
1	1	0	When full scale is detected, Mute function is enabled. The AK4492 keeps mute mode, even if a normal signal is input.
1	1	1 (Note 53)	When full scale is detected, Mute function is enabled. The AK4492 returns to normal operation when a normal signal is input and DMRE bit is set to “1”.

(default)

(x: Do not care)

Note 53. DMRE bit returns to “0” automatically after the AK4492 returns to normal operation.

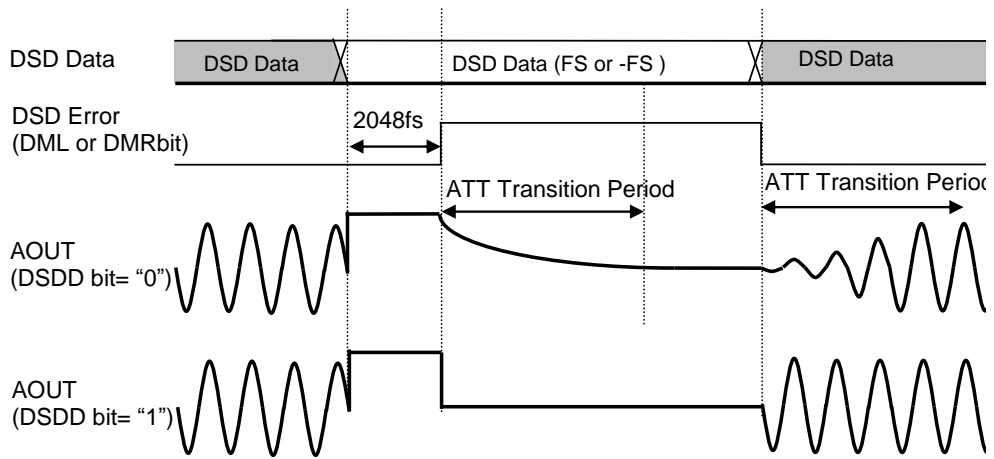


Figure 50. Analog Output Waveform in DSD FS Detection (DMC bit= "0")

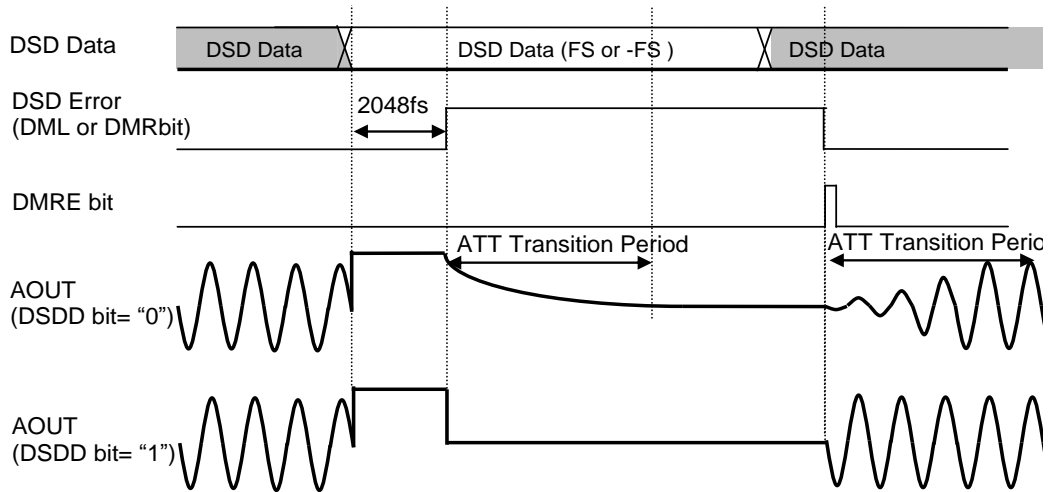


Figure 51. Analog Output Waveform in DSD FS Detection (DMC bit= "1")

■ Soft Mute Operation (PCM Mode, DSD Mode, EXDF Mode)

The soft mute operation is performed at digital domain. When the SMUTE pin goes to “H” or the SMUTE bit set to “1”, the output signal is attenuated by $-\infty$ during $ATT_DATA \times ATT$ transition (1 setting per $16/fs$) time from the current ATT level.

When the SMUTE pin is returned to “L” or the SMUTE bit is returned to “0”, the mute is cancelled and the output attenuation gradually changes to the ATT level during $ATT_DATA \times ATT$ transition time (Refer to [Table 32](#) for ATT). If the soft mute is cancelled before attenuating $-\infty$ after starting the operation, the attenuation is discontinued and returned to ATT level by the same cycle. The soft mute is effective for changing the signal source without stopping the signal transmission.

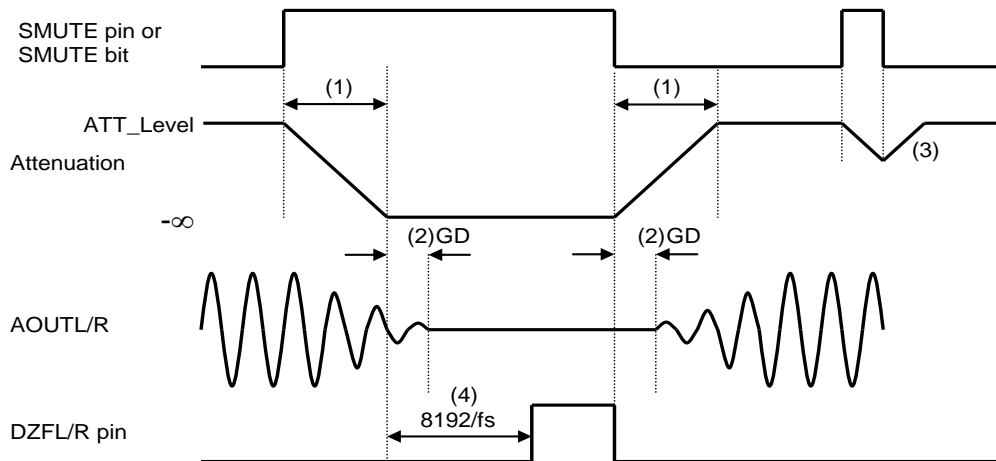


Figure 52. Soft Mute Function

Note:

- (1) $ATT_DATA \times ATT$ transition time. For example, this time is 4080LRCK cycles at $ATT_DATA=255$ in PCM Normal Speed Mode.
- (2) The analog output corresponding to the digital input has group delay (GD).
- (3) If the soft mute is cancelled before attenuating $-\infty$ after starting the operation, the attenuation is discontinued and returned to ATT level by the same cycle.
- (4) When the input data for each channel is continuously zeros for 8192 LRCK cycles, the DZF pin for each channel goes to “H”. The DZF pin immediately returns to “L” if the input data is not zero.

■ LDO

When TVDD = 3.0 ~3.6V, the power for digital core circuit (DVDD) is supplied by the internal LDO by setting the LDOE pin to "H". Table 40 shows the DVDD pin statuses with the PDN and LDOE pins setting. The internal LDO is powered up by setting the PDN pin from "L" to "H" (power-down release) and it starts supplying 1.8V DVDD. It takes 0.1ms (max.) to power-up the internal LDO.

Table 40. LDO Select Mode

PDN pin	LDOE pin	TVDD	DVDD
X	L	1.7~3.6 V	LDO OFF: Supply 1.7 ~ 1.98V to the DVDD pin externally
L	H	3.0~3.6 V	500 ohm Pull Down
H	H	3.0~3.6 V	LDO ON: LDO outputs 1.8V. (Do not connect DVDD with other devices.)

(X: Do not care)

The AK4492 has error detect function as shown in Table 41 for LDO operation (LDOE pin = "H"). The internal LDO will be powered down and stop supplying the power to the digital core when an error is detected. In this case, the analog signal output becomes unstable. The AK4492 must be reset by setting the PDN pin = "L" → "H" to recover from the error detection status.

Table 41. Error Detection

No	Error	Error Detection Condition
1	Internal Reference Voltage	Internal reference voltage does not rise.
2	LDO Over Voltage Detection	Threshold is from 2.2V to 2.5V.
3	LDO Over Current Detection	LDO current is 40mA or less, or 110mA or more.

■ Shutdown Switch

A shutdown switch is placed between the DVSS pin and VSS for the digital core to prevent SIDD leak of DVDD digital power supply. The on-resistance is maximum 1Ω and the DVDD leak current will be 2μA at the maximum.

When using LDO (LDOE pin = "H"), the shutdown switch is ON after counting by internal oscillator following a power-down release (PDN pin "L" → "H"). It takes 2ms (max.) for the shutdown switch power-up.

When not using LDO (LDOE pin = "L"), the shutdown switch is ON immediately after a power-down release (PDN pin "L" → "H"). It takes 1μs (max.) for the shutdown switch power-up.

■ Power Up/Down Function

The AK4492 is powered down by setting the PDN pin to “L”. In power-down state, all circuits stop operation and initialized, and the analog output becomes floating (Hi-z) state. The PDN pin must held “L” for more than 150ns for a certain reset. There is a possibility of malfunctions with the “L” pulse less than 150ns. Power-down is released by setting the PDN pin to “H” from “L”. In this time IREF and LDO (if LDOE pin = “H”) are powered up and the analog output becomes floating (Hi-z) state. The Analog common voltage power up after by PDN pin to “H”. The time to be stable voltage is in propotional to the capacitance of the VCML pin and the VCMR pin. For example, when the capacitance is 1uF, the time constant is about 3ms.

(1) Pin Control Mode (PSN pin = “H”)

All circuits will be powered up by inputting MCLK, LRCK and BICK clocks after the PDN pin = “H”. The analog circuit starts operation just after supplying all necessary clocks (MCLK, LRCK and BICK) and the digital circuit starts operation about $4/f_s$ after the clock supply. Figure 53 shows system timing example of power down/up when using the internal LDO (LDOE pin “H”). When power up the AK4492 with the LDOE pin = “H”, 3.3V power supplies (AVDD and TVDD) should be powered up before or at the same time of 5V power supplies (VDDL/R).

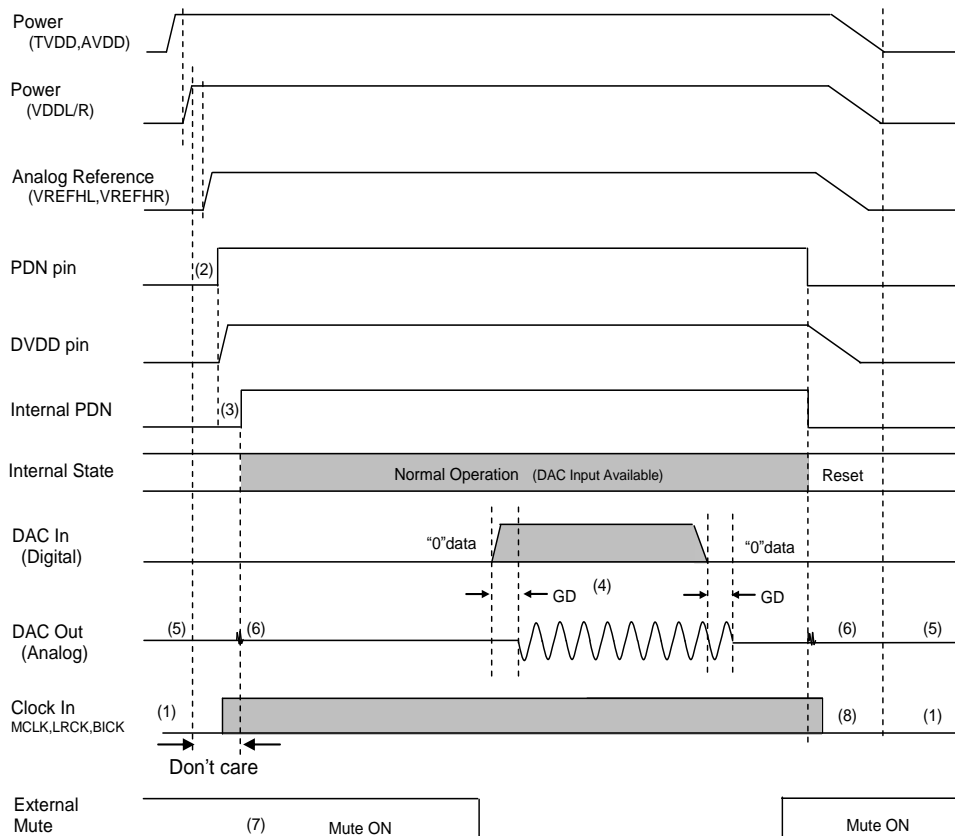


Figure 53. Power-down/up Sequence Example (PinControl Mode, LDOE pin = “H”)

Notes:

- (1) Do not input a clock when power supplies are powered down.
- (2) The PDN pin must be held “L” for more than 150ns after AVDD, TVDD and VDDL/R reached 90%.
- (3) Internal LDO is powered up after the PDN pin = “H” when the LDOE pin= “H”. The internal circuit will starts operation after the shutdown switch is ON (max. 2ms) following the internal oscillator count up.
- (4) The analog output corresponding to the digital input has group delay (GD).
- (5) Analog outputs are floating (Hi-Z) in power down mode.
- (6) Click noise occurs at the edge of PDN signal. This noise is output even if “0” data is input.

- (7) Mute the analog output externally if click noise (6) adversely affect system performance.
- (8) Clock inputs (MCLK, BICK and LRCK) can be stopped in power down state.

The timing example when not using the internal LDO (LODE pin = "L") is shown in Figure 54. When the LDOE pin= "L", 1.8V (DVDD), 3.3V (AVDD, TVDD) and 5V (VDDL, VDDR) power supplies should be powered up at the same time, otherwise power up 3.3V power supplies (AVDD, TVDD) first, the 1.8V power supply (DVDD) next and 5V power supplies (VDDL/R) last.

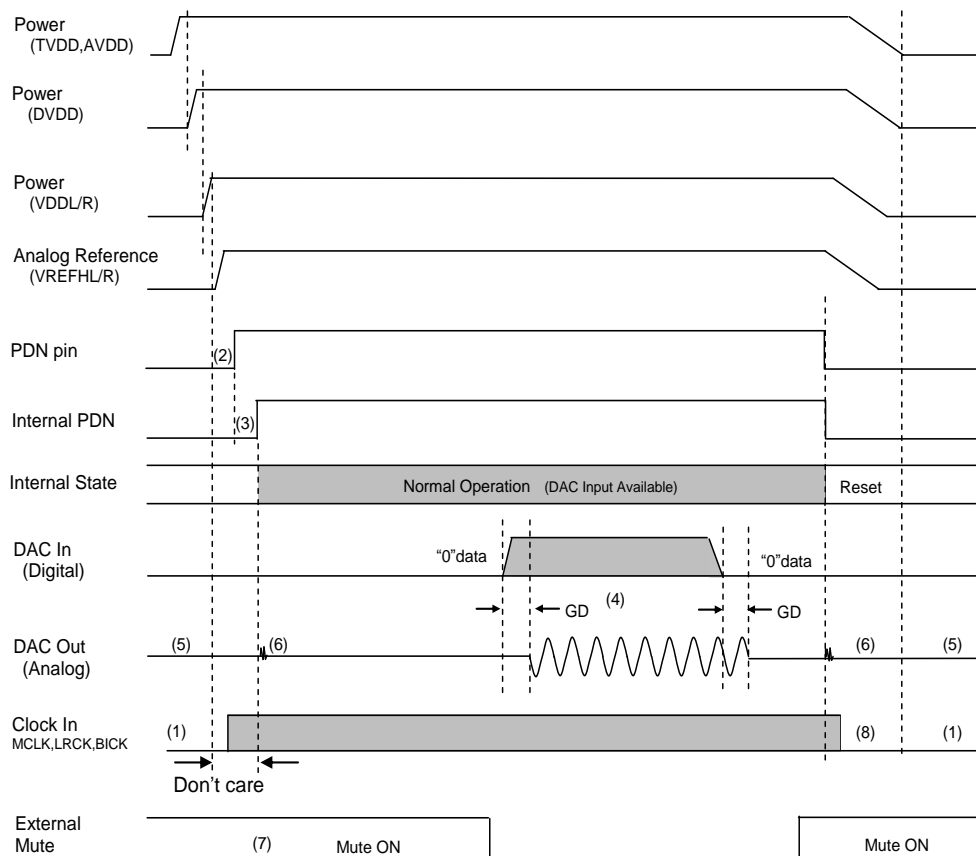


Figure 54. Power-down/up Sequence Example (Pin Control Mode, LDOE pin="L")

Notes:

- (1) Do not input a clock when power supplies are powered down.
- (2) The PDN pin must be held "L" for more than 150ns after AVDD, TVDD, DVDD and VDDL/R reached 90%.
- (3) Internal shutdown switch is powered up after the PDN pin = "H" when the LDOE pin= "L". The internal circuit will start operation after the shutdown switch is ON (max. 1us).
- (4) The analog output corresponding to the digital input has group delay (GD).
- (5) Analog outputs are floating (Hi-Z) in power down mode.
- (6) Click noise occurs at the edge of PDN signal. This noise is output even if "0" data is input.
- (7) Mute the analog output externally if click noise (6) adversely affect system performance.
- (8) Clock inputs (MCLK, BICK and LRCK) can be stopped in power down state.

(2) Register Control Mode (PSN pin= "L")

A register access becomes available after the PDN pin = "H". The analog circuit starts operation by supplying necessary clocks (MCLK, LRCK and BICK for PCM mode, MCLK and DCLK for DSD mode, MCLK, BCK and WCK for EXDF mode) and the clock divider is powered up about after $4/f_s$. The analog output pins output analog common voltages (VCML, VCMR) in this time. Then the AK4492 transitions to normal operation by setting RSTN bit = "1". When power up the AK4492 with the LDOE pin = "H", 3.3V power supplies (AVDD and TVDD) should be powered up before or at the same time of 5V power supplies (VDDL/R).

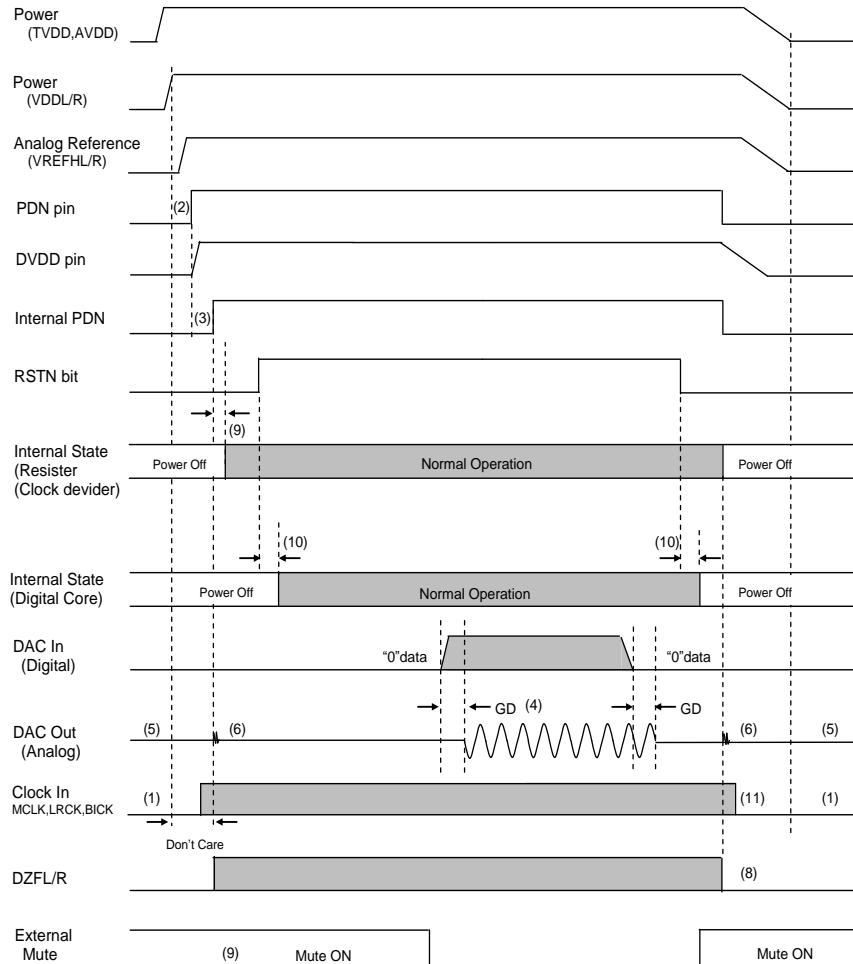


Figure 55. Power-down/up Sequence Example (Resister Control Mode, LDOE pin= "H")

Notes:

- (1) Do not input a clock when power supplies are powered down.
- (2) The PDN pin must be held "L" for more than 150ns after AVDD, TVDD and VDDL/R reached 90%.
- (3) Internal LDO is powered up after the PDN pin = "H" when the LDOE pin= "H". The internal circuit will start operation after the shutdown switch is ON (max. 2ms) following the internal oscillator count up.
- (4) The analog output corresponding to the digital input has group delay (GD).
- (5) Analog outputs are floating (Hi-Z) in power down mode.
- (6) Click noise occurs at the edge of PDN signal. This noise is output even if "0" data is input.
- (7) Mute the analog output externally if click noise (6) adversely affect system performance.
- (8) The DZFL/R pin is "L" in power-down mode (PDN pin = "L").
- (9) The clock divider is powered up in about $4/f_s$ after the internal PDN is released.
- (10) It takes $3\sim 4/f_s$ until a reset instruction is valid when writing RSTN bit to "0" and it takes $2\sim 3/f_s$ when releasing the reset.
- (11) Clock inputs (MCLK, BICK and LRCK) can be stopped in power down state.

The system timing example of power up/down when not using LDO (LDOE pin = "L") is shown in Figure 56. When the LDOE pin = "L", 1.8V (DVDD), 3.3V (AVDD, TVDD) and 5V (VDDL, VDDR) power supplies should be powered up at the same time, otherwise power up the 3.3V power supplies (AVDD, TVDD) first, 1.8V power supply (DVDD) next and 5V power supplies (VDDL/R) last.

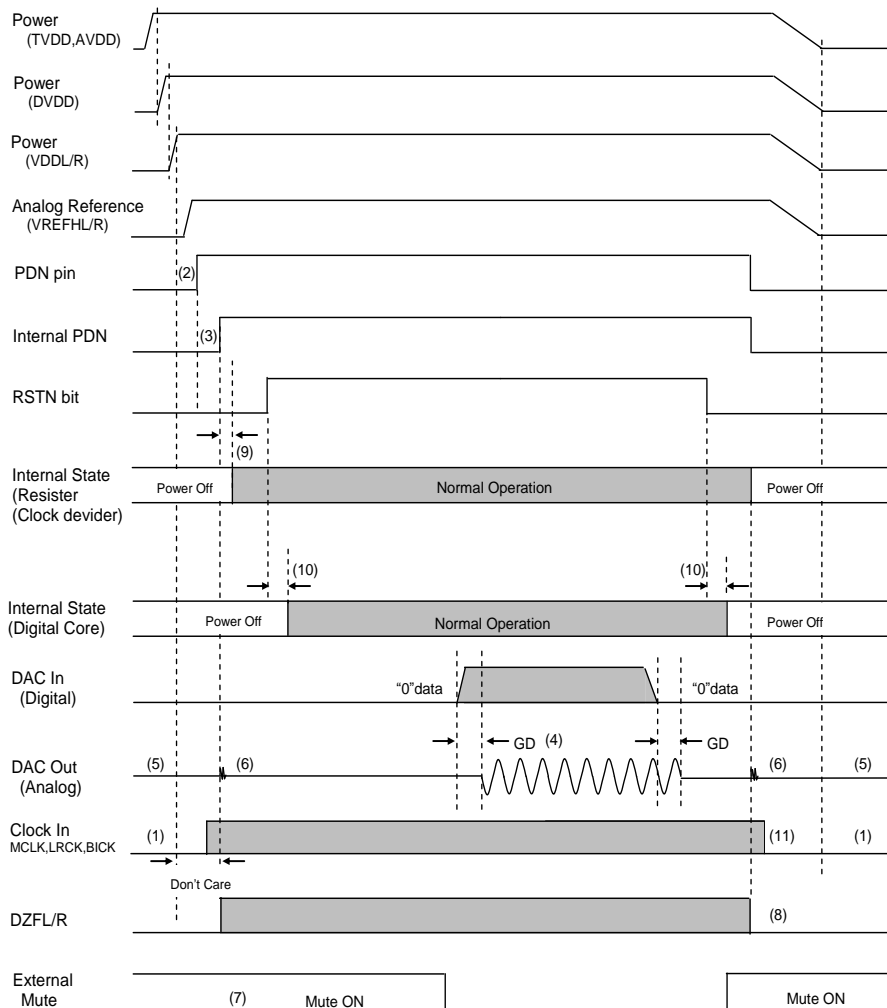


Figure 56. Power-down/up Sequence Example (Resister Control Mode, LDOE pin = "L")

Notes:

- (1) Do not input a clock when power supplies are powered down.
- (2) The PDN pin must be held "L" for more than 150ns after AVDD, TVDD and VDDL/R reached 90%.
- (3) Internal shutdown switch is powered up after the PDN pin = "H" when the LDOE pin = "L". The internal circuit will start operation after the shutdown switch is ON (max. 1us).
- (4) The analog output corresponding to the digital input has group delay (GD).
- (5) Analog outputs are floating (Hi-Z) in power down mode.
- (6) Click noise occurs at the edge of PDN signal. This noise is output even if "0" data is input.
- (7) Mute the analog output externally if click noise (6) adversely affect system performance.
- (8) The DZFL/R pin is "L" in power-down mode (PDN pin = "L").
- (9) The clock divider is powered up in about $4/f_s$ after the internal PDN is released.
- (10) It takes $3\sim 4/f_s$ until the internal RSTN is changed when changing RSTN bit to "0" and it takes $2\sim 3/f_s$ when changing RSTN bit to "1".
- (11) Clock inputs (MCLK, BICK and LRCK) can be stopped in power down state.

■ Power-OFF/Reset Function

Power-off and Reset function of the AK4492 are controlled by PW bit, RSTN bit and MCLK (Table 42).

Table 42. Power Off, Reset Function

Mode	PDN Pin	MCLK Supply	PW bit	RSTN bit	DIGITAL Block	ANALOG Block	LDO Register	Analog Output
Power Down	L	—	—	—	OFF	OFF	OFF	Hi-Z
MCLK Stop	H	No	—	—	OFF	OFF	ON	Hi-Z
Power OFF	H	Yes	0	—	OFF	OFF	ON	Hi-Z
Reset	H	Yes	1	0	OFF	ON	ON	VCML/R
Normal Operation	H	Yes	1	1	ON	ON	ON	Signal output

(- : Do not care)

[1] Power ON/OFF by MCLK Clock

The AK4492 detects a clock stop and all circuits including MCLK stop detection circuit, control register and IREF (except LDO when the LDOE pin = "H") stop operation if MCLK is not input for 1us (min.) during operation (PDN pin = "H"). In this case, the analog output goes floating state (Hi-Z). The AK4492 returns to normal operation if PW bit and RSTN bit are "1" after starting to supply MCLK again. The zero detect function is disabled when MCLK is stopped.

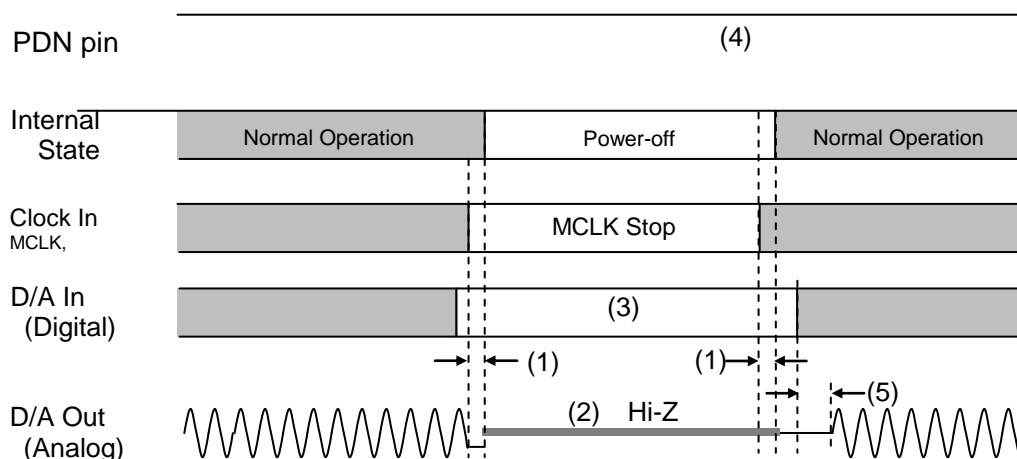


Figure 57. Power ON/OFF by MCLK Clock

Notes:

- (1) The AK4492 detects MCLK stop and becomes power off state when MCLK edge is not detected for 1us (min.) during operation.
- (2) The analog output goes to floating state (Hi-Z).
- (3) Click noise can be reduced by inputting "0" data when stopping and resuming MCLK supply.
- (4) Resume MCLK input to release the power-off state by MCLK. In this case, power-up sequence by the PDN pin or power-on sequence by PW bit is not necessary.
- (5) The analog output corresponding to the digital input has group delay (GD).

[2] Power ON/OFF by PW bit

All circuits including control register and IREF (except LDO when the LDOE pin = "H") stop operation by setting PW bit to "0". In this case, control register access is available. The analog output goes to floating state (Hi-Z). Figure 58 shows power ON/OFF sequence by PW bit.

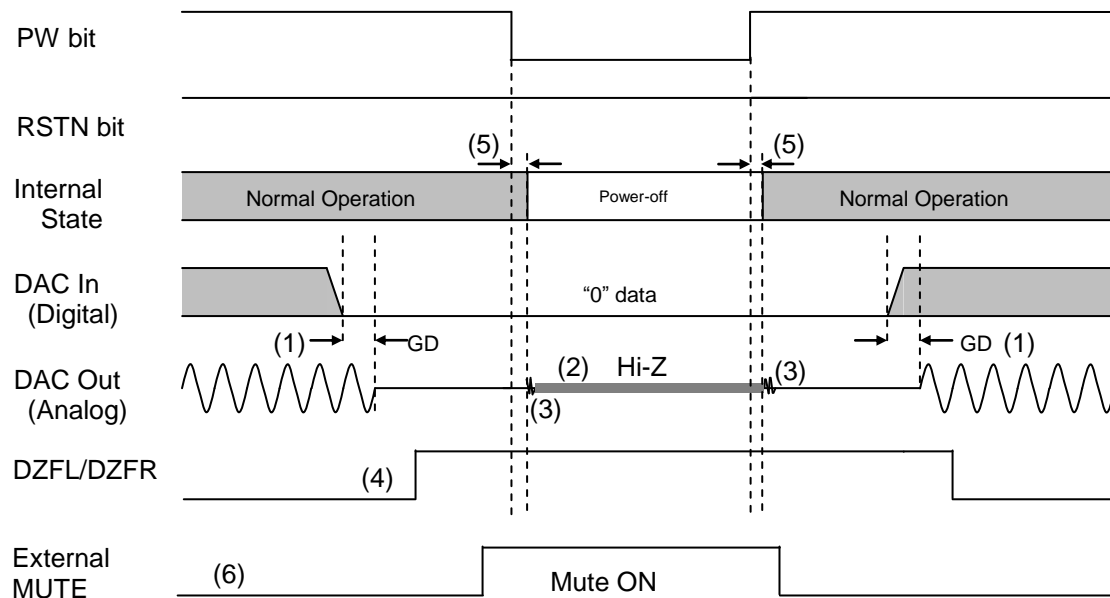


Figure 58. Power ON/OFF Timing Example

Notes:

- (1) The analog output corresponding to the digital input has group delay (GD).
- (2) The analog output is floating (Hi-Z) state when PW bit = "0".
- (3) Click noise occurs at the edge of PW bit. This noise is output even if "0" data is input.
- (4) The zero detect function is enable when the AK4492 is power off (PW bit= "0"). This figure shows the sequence when DZFE bit= "1", DZFB bit = "0" and DZFM bit= "0".
- (5) It takes $4\sim 5/f_s$ until a power down instruction is valid when writing PW bit and it takes $1\sim 2/f_s$ when releasing the power down.
- (6) Mute the analog output externally if click noise (3) or Hi-z output (2) adversely affect system performance.

[3] Reset by RSTN bit

Digital circuits except control registers and clock divider are reset by setting RSTN bit to "0". In this case, control register settings are held, the analog output becomes VCML/R voltage and the DZFL/R pin outputs "H". Figure 59 shows power ON/OFF sequence by RSTN bit.

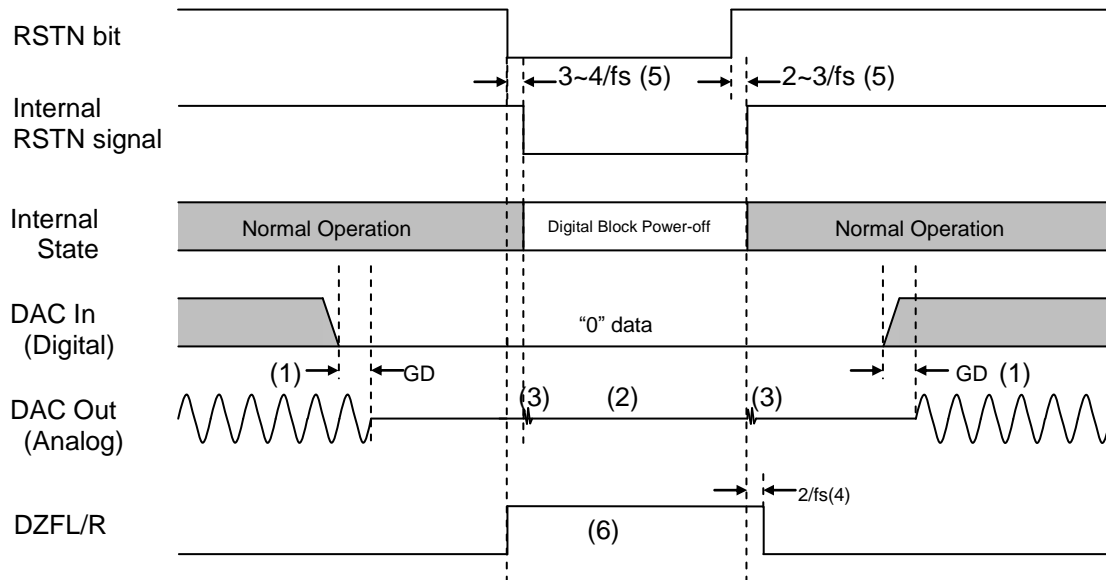


Figure 59. Reset Timing Example

Notes :

- (1) The analog output corresponding to the digital input has group delay (GD).
- (2) The analog output is VCOM voltage when RSTN bit = "0".
- (3) Click noise occurs at the edge of PW bit. This noise is output even if "0" data is input.
- (4) This figure shows the sequence when DZFE bit = "1", DZFB bit = "0" and DZFM bit = "0". The DZFL/R pin goes "H" on a falling edge of RSTN bit and goes "L" $2/f_s$ after a rising edge of internal RSTN bit.
- (5) It takes $3 \sim 4/f_s$ until the internal RSTN is changed when changing RSTN bit to "0" and it takes $2 \sim 3/f_s$ when changing RSTN bit to "1".
- (6) Mute the analog output externally if click noise (3) adversely affect system performance.

■ Synchronize Function (PCM Mode, EXDF Mode)

The AK4492 has a function that resets the internal counter to keep the timing of falling edge of the internal clock CLK1 and the external clock edge in a certain range. With this synchronize function, group delays between each device can be kept within $4/256f_s$ when using multiple AK4492's.

Clock synchronize function becomes valid when input data of both L and R channels are "0" for 8192 times continuously in PCM mode or EXDF mode, when both L and R channels become "0" and kept for 8192 times continuously by attenuation or when RSTN bit = "0". In PCM mode, the internal counter is synchronized with a rising edge of LRCK (falling edge of LRCK in I2C mode), and it is synchronized with a rising edge of WCK in EXDF mode. In this case, the analog output has the same voltage as VCML/R. This function is disabled by setting SYNCE bit = "0" in register control mode. Figure 60 shows a synchronizing sequence when the input data is "0" for 8192 times continuously. Figure 61 shows a synchronizing sequence by RSTN bit.

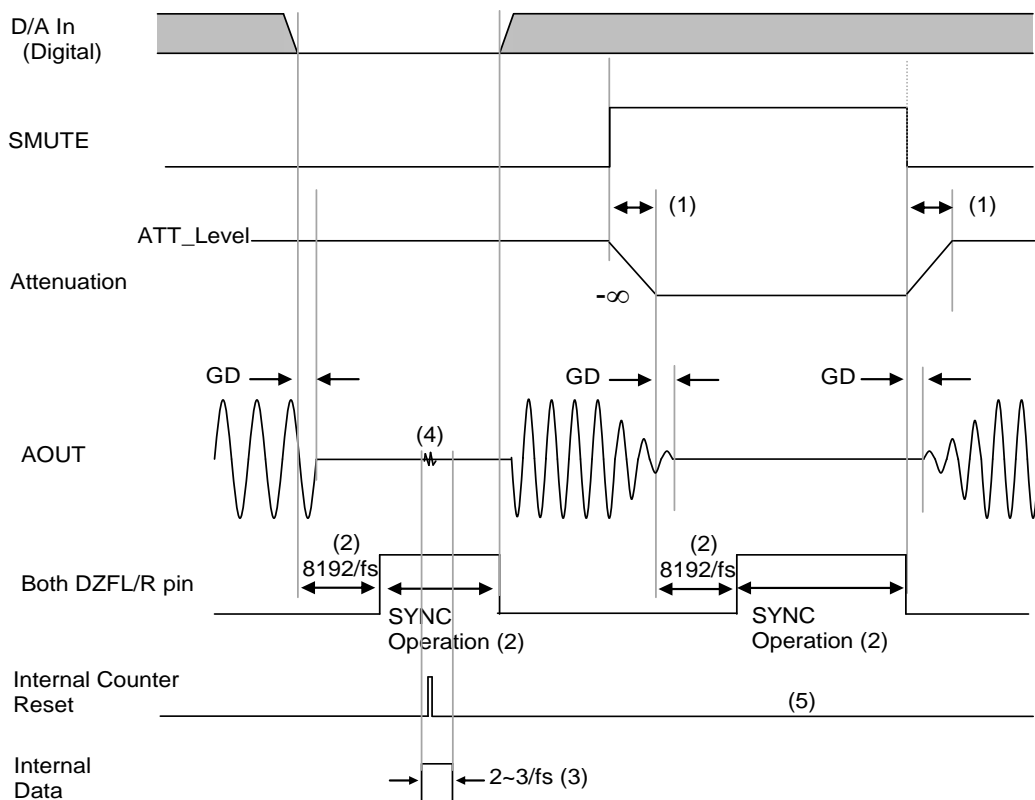


Figure 60. Synchronizing Sequence by Continuous "0" Data Input for 8192 Times

Notes:

- (1) Regarding ATT Transition time, refer to "■ Output Volume (PCM Mode, DSD Mode, EXDF Mode)".
- (2) When both L and R channels data are "0" for 8192 times continuously, the DZFL and DZFR pins become "H" and the synchronize function is valid.
- (3) Internal data is fixed to "0" forcibly for 2 to 3/fs when internal counter is reset.
- (4) A click noise may occur when the internal counter is reset. This noise is output even if a "0" data is input. Mute the analog output externally if this click noise affects the system performance.
- (5) When the internal clock and external clock are in synchronization, the internal counter is not reset even if the synchronize function is valid.

If RSTN bit is set to "0", the output signal of the DZFL/R pin becomes "H". Then, the DAC is reset after 3~4/fs and the analog output becomes the same voltage as VCML/R. The synchronize function becomes valid when both of the DZFL and the DZFR pins output "H".

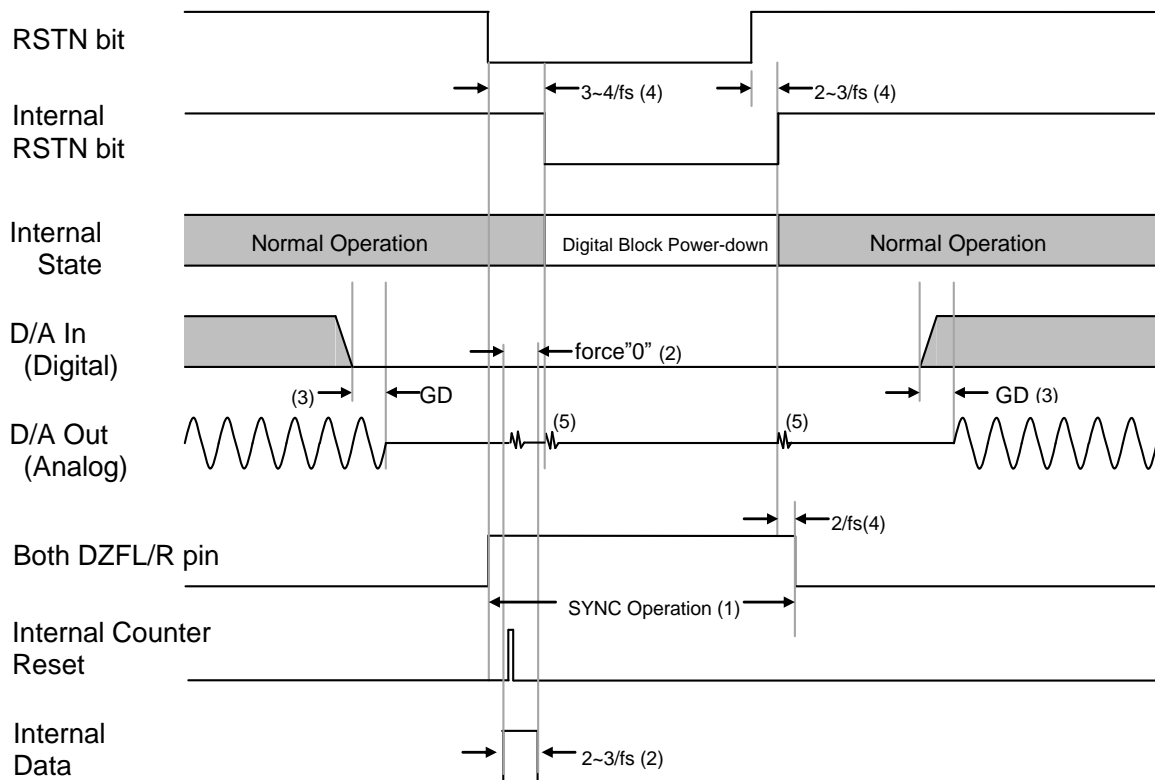


Figure 61. Synchronizing Sequence by RSTN Bit

Notes:

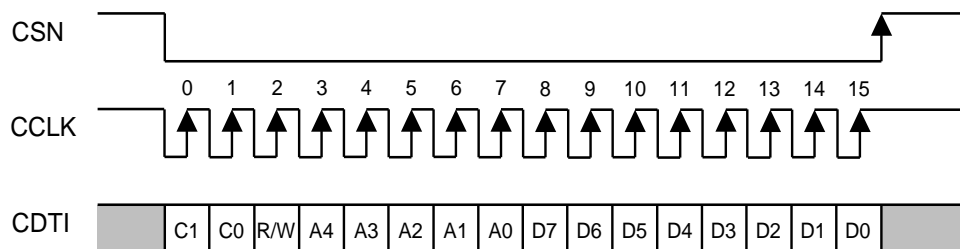
- (1) The DZFL and the DZFR pins become "H" by a falling edge of RSTN bit, and becomes "L" 2/fs after a rising edge of internal signal of RSTN bit. The synchronize function is valid During the DZFL/R pin = "H".
- (2) Internal data is fixed to "0" forcibly for 2 to 3/fs when the internal counter is reset.
- (3) Since the analog output corresponding to digital input has group delay (GD), it is recommended to have a no-input period longer than the group delay before writing "0" to RSTN bit.
- (4) It takes 3 to 4/fs when falling to change the internal RSTN signal of the LSI after writing to RSTN bit. It also takes 2 to 3/fs when rising to change the internal RSTN signal of the LSI. The synchronize function becomes valid immediately when "0" is written to RSTN bit. Therefore, there is a case that the internal counter is reset before internal RSTN signal of the LSI is changed.
- (5) A click noise occurs on the rising or falling edge of the internal RSTN signal and when the internal counter is reset. This noise is output even if a "0" data is input. Mute the analog output externally if this click noise affects the system performance.

■ Register Control Interface

[1] 3-wire Serial Control Mode (I2C pin = "L")

Pins (pin control mode) or registers (register control mode) can control the functions of the AK4492. In pin control mode, the register setting is ignored, and in register control mode the pin settings are ignored. When the state of the PSN pin is changed, the AK4492 should be powered down by the PDN pin. Otherwise, malfunctions may occur since previous settings are not initialized. The register control interface is enabled by the PSN pin = "L". Internal registers may be written to through 3-wire μ P interface pins: CSN, CCLK and CDTI. The data on this interface consists of Chip address (2-bits, C1/0), Read/Write (1-bit; fixed to "1", write only), Register address (MSB first, 5-bits) and Control data (MSB first, 8-bits). The data is output on a falling edge of CCLK and the data is received on a rising edge of CCLK. The writing of data is valid when CSN " \uparrow ". The clock speed of CCLK is 5MHz (max).

Setting the PDN pin to "L" resets the registers to their default values. In register control mode, the digital block except control registers and clock divider is reset by setting RSTN bit to "0". In this case, the register values are not initialized.



C1-C0: Chip Address (C1 bit = CAD1 pin, C0 bit = CAD0 pin)
 R/W: READ/WRITE (Fixed to "1", Write only)
 A4-A0: Register Address
 D7-D0: Control Data

Figure 62. Control I/F Timing

- * The AK4492 does not support read commands in 3-wire serial control mode.
- * When the AK4492 is in power down mode (PDN pin = "L"), writing into control registers is prohibited.
- * The control data cannot be written when the CCLK rising edge is 15 times or less, or 17 times or more during CSN is "L".
- * The CDTI pin must not fall during the CCLK pin is "H". Writing into registers may not be valid when it is happened.

[2] I²C-bus Control Mode (I2C pin = “H”)

The AK4492 supports the fast-mode I²C-bus (max: 400kHz, Ver. 1.0).

(1) WRITE Operations

Figure 63 shows the data transfer sequence for the I²C-bus mode. All commands are preceded by a START condition. A HIGH to LOW transition on the SDA line while SCL is HIGH indicates a START condition (Figure 69). After the START condition, a slave address is sent. This address is 7 bits long followed by the eighth bit that is a data direction bit (R/W). The most significant five bits of the slave address are fixed as “00100”. The next bits are CAD1 and CAD0 (device address bits). This bit identifies the specific device on the bus. The hard-wired input pin (CAD1 pin, CAD0 pin) sets these device address bits (Figure 64). If the slave address matches that of the AK4492, the AK4492 generates an acknowledge and the operation is executed. The master must generate the acknowledge-related clock pulse and release the SDA line (HIGH) during the acknowledge clock pulse (Figure 70). A R/W bit value of “1” indicates that the read operation is to be executed, and “0” indicates that the write operation is to be executed.

The second byte consists of the control register address of the AK4492 and the format is MSB first. (Figure 65). The data after the second byte contains control data. The format is MSB first, 8bits (Figure 66). The AK4492 generates an acknowledge after each byte is received. Data transfer is always terminated by a STOP condition generated by the master. A LOW to HIGH transition on the SDA line while SCL is HIGH defines a STOP condition (Figure 69).

The AK4492 can perform more than one byte write operation per sequence. After receipt of the third byte the AK4492 generates an acknowledge and awaits the next data. The master can transmit more than one byte instead of terminating the write cycle after the first data byte is transferred. After receiving each data packet the internal address counter is incremented by one, and the next data is automatically taken into the next address. If the address exceeds “15H” prior to generating a stop condition, the address counter will “roll over” to “00H” and the previous data will be overwritten.

The data on the SDA line must remain stable during the HIGH period of the clock. HIGH or LOW state of the data line can only be changed when the clock signal on the SCL line is LOW (Figure 71) except for the START and STOP conditions.

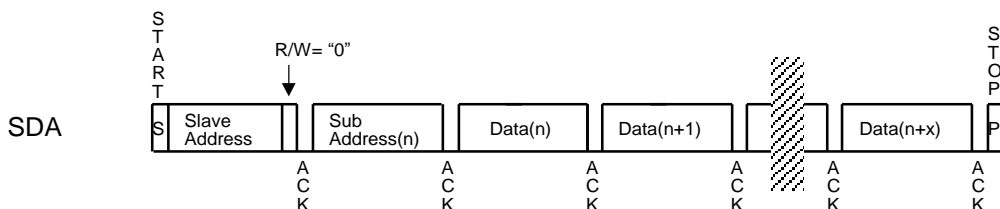


Figure 63. Data Transfer Sequence at I²C Bus Mode

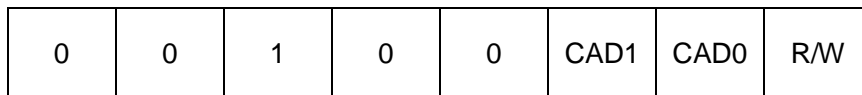


Figure 64. The First Byte

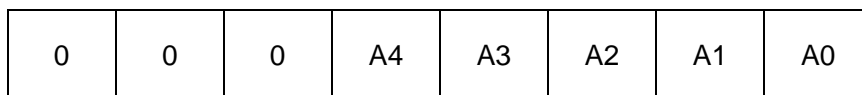


Figure 65. The Second Byte

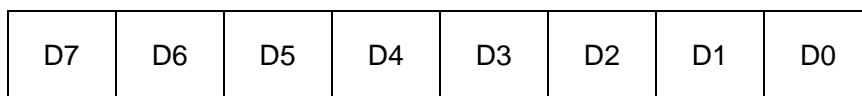


Figure 66. The Third Byte and After The Third Byte

(2) READ Operation

Set the R/W bit = "1" for the READ operation of the AK4492. After transmission of data, the master can read the next address's data by generating an acknowledge instead of terminating the write cycle after the receipt of the first data word. After receiving each data packet the internal address counter is incremented by one, and the next data is automatically taken into the next address. If the address exceeds "15H" prior to generating stop condition, the address counter will "roll over" to "00H" and the data of "00H" will be read out.

The AK4492 supports two basic read operations: Current Address Read and Random Address Read.

(2)-1. Current Address Read

The AK4492 has an internal address counter that maintains the address of the last accessed word incremented by one. Therefore, if the last access (either a read or write) were to address "n", the next CURRENT READ operation would access data from the address "n+1". After receipt of the slave address with R/W bit "1", the AK4492 generates an acknowledge, transmits 1-byte of data to the address set by the internal address counter and increments the internal address counter by 1. If the master does not generate an acknowledge but generates a stop condition instead, the AK4492 ceases the transmission.

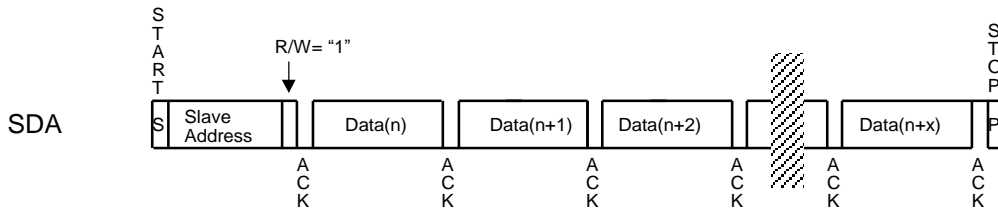


Figure 67. Current Address Read

(2)-2. Random Address Read

The random read operation allows the master to access any memory location at random. Prior to issuing the slave address with the R/W bit "1", the master must first perform a "dummy" write operation. The master issues a start request, a slave address (R/W bit = "0") and then the register address to read. After the register address is acknowledged, the master immediately reissues the start request and the slave address with the R/W bit "1". The AK4492 then generates an acknowledge, 1 byte of data and increments the internal address counter by 1. If the master does not generate an acknowledge but generates a stop condition instead, the AK4492 ceases the transmission.

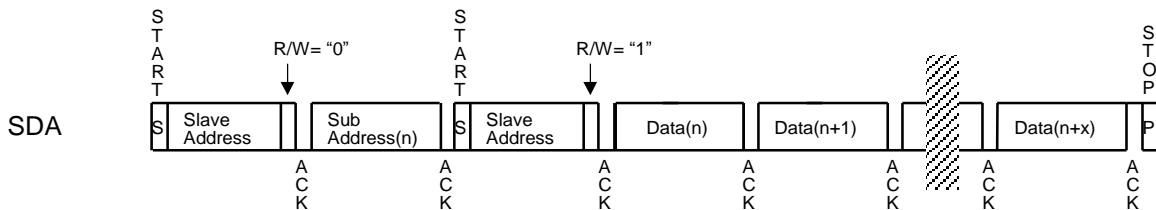


Figure 68. Random Address Read

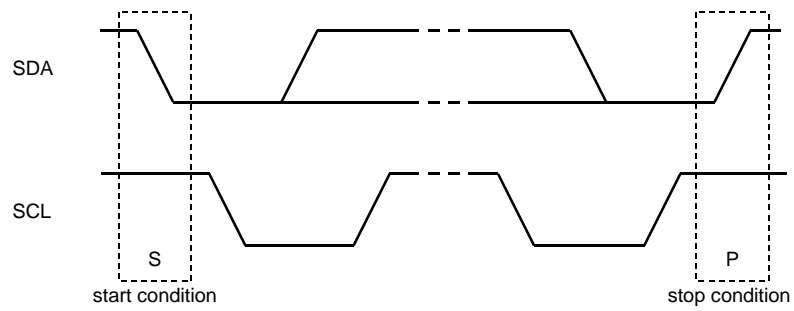


Figure 69. Start Condition and Stop Condition

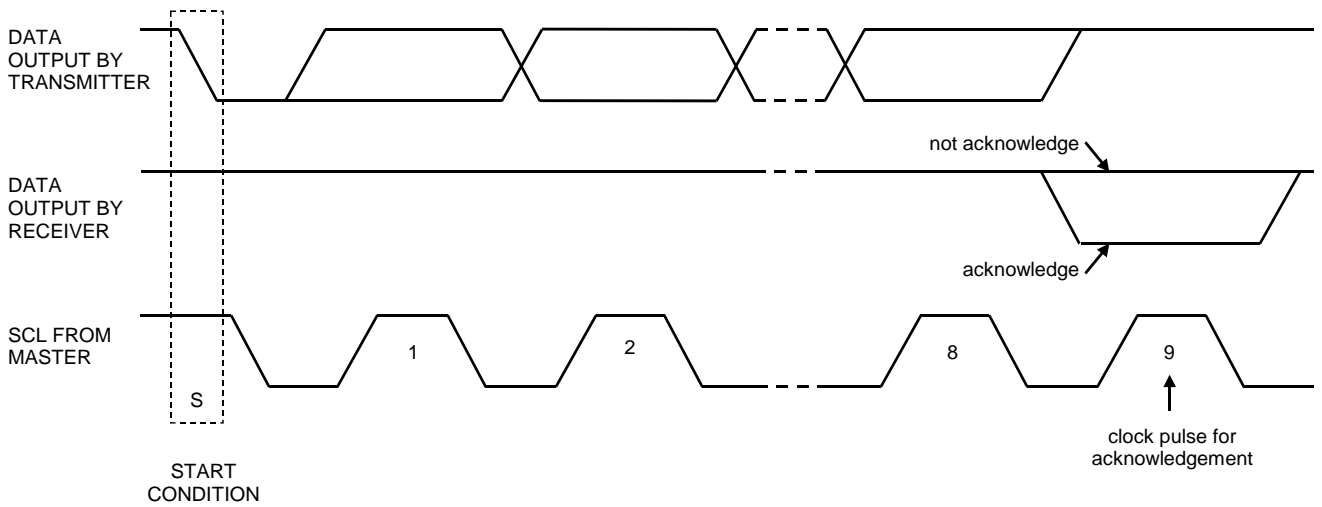


Figure 70. Acknowledge (I²C Bus)

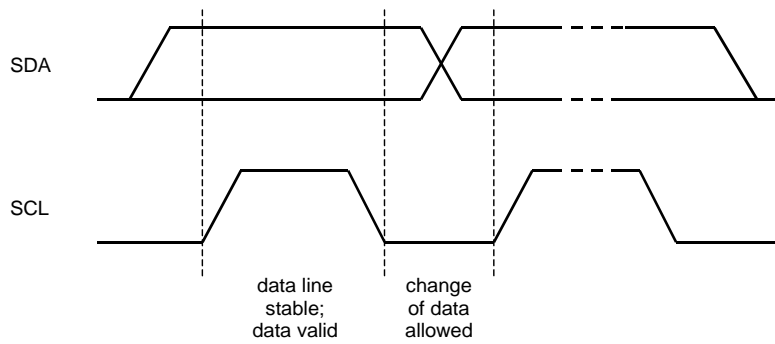


Figure 71. Bit Transfer (I²C Bus)

■ Register Map

Addr	Register Name	D7	D6	D5	D4	D3	D2	D1	D0
00H	Control 1	ACKS	EXDF	ECS	AFSD	DIF2	DIF1	DIF0	RSTN
01H	Control 2	DZFE	DZFM	SD	DFS1	DFS0	DEM1	DEM0	SMUTE
02H	Control 3	DP	0	DCKS	DCKB	MONO	DZFB	SELLR	SLOW
03H	Lch ATT	ATT7	ATT6	ATT5	ATT4	ATT3	ATT2	ATT1	ATT0
04H	Rch ATT	ATT7	ATT6	ATT5	ATT4	ATT3	ATT2	ATT1	ATT0
05H	Control4	INVL	INVR	0	0	0	0	DFS2	SSLOW
06H	DSD1	DDM	DML	DMR	DMC	DMRE	0	DSDD	DSDSELO
07H	Control5	0	0	0	0	GC2	GC1	GC0	SYNCE
08H	Sound Control	0	0	0	0	HLOAD	0	0	0
09H	DSD2	0	0	0	0	0	DSDPATH	DSDF	DSDSEL1
0AH	Control 7	TDM1	TDM0	SDS1	SDS2	0	PW	0	0
0BH	Control 8	ATS1	ATS0	0	SDS0	0	0	DCHAIN	0
0CH	Reserved	0	0	0	0	0	0	0	0
0DH	Reserved	0	0	0	0	0	0	0	0
0EH	Reserved	0	0	0	0	0	0	0	0
0FH	Reserved	0	0	0	0	0	0	0	0
10H	Reserved	0	0	0	0	0	0	0	0
11H	Reserved	0	0	0	0	0	0	0	0
12H	Reserved	0	0	0	0	0	0	0	0
13H	Reserved	0	0	0	0	0	0	0	0
14H	Reserved	0	0	0	0	0	0	0	0
15H	DFS read	0	0	0	0	0	ADFS2	ADFS1	ADFS0

Notes:

- In 3-wire serial control mode, the AK4492 does not support read commands.
- The AK4492 supports read command in I²C-bus control mode.
- If the address exceeds "15H", the address counter will "roll over" to "00H" and the next write/read address will be "00H" by automatic increment function in I²C-Bus mode.
- Bits indicated as 0 in each address must contain a "0" value. Writing after 16H is also forbidden. Malfunctions may occur by these actions.
- When the PDN pin goes to "L", the registers are initialized to their default values.
- When RSTN bit is set to "0", the digital block except control registers and clock divider is reset, and the registers are not initialized to their default values.
- When the state of the PSN pin is changed, the AK4492 should be reset by the PDN pin.

■ Register Definitions

Addr	Register Name	D7	D6	D5	D4	D3	D2	D1	D0
00H	Control 1	ACKS	EXDF	ECS	AFSD	DIF2	DIF1	DIF0	RSTN
	R/W	R/W	R/W	R/W	R/W	R/W	R/W	R/W	R/W
	Default	0	0	0	0	1	1	0	0

RSTN: Internal Timing Reset

0: Reset. All registers are not initialized. (default)

1: Normal Operation

DIF[2:0]: Audio Interface Format ([Table 24](#))

Initial value is "110" (Mode6: 32bit MSB justified).

AFSD: Sampling Frequency Auto Detect Mode Enable (PCM & EXDF mode only). ([Table 5](#))

0: Disable: Manual or Auto Setting Mode (default)

1: Enable: Auto Detect Mode

When AFSD bit = "1", DFS[2:0] bits are ignored.

ECS: EXDF mode clock setting ([Table 23](#))

0: WCK = 768kHz mode(default)

1: WCK = 384kHz mode

EXDF: External Digital Filter I/F Mode (Register Control mode only)

0: Disable: Internal Digital Filter mode (default)

1: Enable: External Digital Filter mode

ACKS: Master Clock Frequency Auto Setting Mode Enable (PCM & EXDF mode only) ([Table 14](#), [Table 5](#))

0: Disable: Manual Setting Mode (default)

1: Enable: Auto Setting Mode

Addr	Register Name	D7	D6	D5	D4	D3	D2	D1	D0
01H	Control 2	DZFE	DZFM	SD	DFS1	DFS0	DEM1	DEM0	SMUTE
	R/W	R/W	R/W	R/W	R/W	R/W	R/W	R/W	R/W
	Default	0	0	1	0	0	0	1	0

SMUTE: Soft Mute Enable
 0: Normal Operation (default)
 1: DAC outputs soft-muted.

DEM[1:0]: De-emphasis Control ([Table 30](#))
 Initial value is "01" (OFF).

DFS[1:0]: Sampling Speed Control. ([Table 7](#), [Table 11](#))
 Initial value is "000" (Normal Speed). Click noise occurs when DFS[2:0] bits are changed.

SD: Minimum delay Filter Enable. ([Table 28](#))
 0: Traditional filter
 1: Short delay filter (default)

DZFM: Data Zero Detect Mode
 0: Channel Separated Mode (default)
 1: Channel ANDed Mode
 If the DZFM bit is set to "1", the DZF pins of both L and R channels go to "H" only when the input data at both channels are continuously zeros for 8192 LRCK cycles.

DZFE: Data Zero Detect Enable
 0: Disable (default)
 1: Enable
 Zero detect function can be disabled by DZFE bit "0". In this case, the DZF pins of both channels are always "L".

Addr	Register Name	D7	D6	D5	D4	D3	D2	D1	D0
02H	Control 3	DP	0	DCKS	DCKB	MONO	DZFB	SELLR	SLOW
	R/W	R/W	R/W	R/W	R/W	R/W	R/W	R/W	R/W
	Default	0	0	0	0	0	0	0	0

SLOW: Slow Roll-off Filter Enable. ([Table 28](#))

0: Slow roll-off filter disable (default)

1: Slow roll-off filter

SELLR: The data selection of L channel and R channel, when MONO mode

0: All channel output L channel data, when MONO mode. (default)

L channel output L channel data, R channel data output R channel data(default)

1: All channel output R channel data, when MONO mode.

L channel output R channel data, R channel data output L channel data

DZFB: Inverting Enable of DZF. ([Table 35](#))

0: DZF pin goes "H" at Zero Detection (default)

1: DZF pin goes "L" at Zero Detection

MONO: MONO mode Stereo mode select

0: Stereo mode (default)

1: MONO mode

DCKB: Polarity of DCLK (DSD Only)

0: DSD data is output from DCLK falling edge. (default)

1: DSD data is output from DCLK rising edge.

DCKS: Master Clock Frequency Select at DSD mode (DSD only)

0: 512fs (default)

1: 768fs

DP: DSD/PCM Mode Select

0: PCM Mode (default)

1: DSD Mode

When DP bit is changed, the AK4492 should be reset by RSTN bit.

Addr	Register Name	D7	D6	D5	D4	D3	D2	D1	D0
03H	Lch ATT	ATT7	ATT6	ATT5	ATT4	ATT3	ATT2	ATT1	ATT0
04H	Rch ATT	ATT7	ATT6	ATT5	ATT4	ATT3	ATT2	ATT1	ATT0
	R/W	R/W	R/W	R/W	R/W	R/W	R/W	R/W	R/W
	Default	1	1	1	1	1	1	1	1

ATT[7:0]: Attenuation Level

255 levels 0.5 dB step + mute

Data	Attenuation
FFH	0 dB (default)
FEH	-0.5 dB
FDH	-1.0 dB
:	:
:	:
02H	-126.5 dB
01H	-127.0 dB
00H	MUTE ($-\infty$)

Addr	Register Name	D7	D6	D5	D4	D3	D2	D1	D0
05H	Control 4	INVL	INVR	0	0	0	0	DFS2	SSLOW
	R/W	R/W	R/W	R/W	R/W	R/W	R/W	R/W	R/W
	Default	0	0	0	0	0	0	0	0

SSLOW: Super Slow Roll Off (Digital Filter bypass mode) Enable. ([Table 28](#))

0: Disable (default)

1: Enable

DFS2: Sampling Speed Control. ([Table 7](#), [Table 11](#))

INVR: AOUTR Output Phase Inverting

0: Disable (default)

1: Enable

INVL: AOUTL Output Phase Inverting

0: Disable (default)

1: Enable

Addr	Register Name	D7	D6	D5	D4	D3	D2	D1	D0
06H	DSD1	DDM	DML	DMR	DMC	DMRE	0	DSDD	DSDSEL0
	R/W	R/W	R	R	R/W	R/W	R/W	R/W	R/W
	Default	0	0	0	0	0	0	0	0

DSDSEL[1:0]: DSD data stream select

Table 21. DSD Data Stream Select

DSDSEL1	DSDSEL0	DSD Data Stream			(default)
		fs = 32 kHz	fs = 44.1 kHz	fs = 48 kHz	
0	0	2.048 MHz	2.8224 MHz	3.072 MHz	
0	1	4.096 MHz	5.6448 MHz	6.144 MHz	
1	0	8.192 MHz	11.2896 MHz	12.288 MHz	
1	1	N/A	N/A	N/A	

DSDD: DSD Playback Path Select

Table 22. DSD Playback Path Select

DSDD	Mode	(default)
0	Normal Path	
1	Volume Bypass	

DMRE: DSD Mute Release

0: Hold (default)

1: Release Mute

This register is only valid when DDM bit = "1" and DMC bit = "1". When the AK4492 mutes DSD data by DDM and DMC bits settings, the mute is released by setting DMRE bit to "1".

Table 39. Recovery Method to Normal Operation Mode from Full Scale Detection Status

DDM	DMC	DMRE	Status After Detection	(default)
0	x	x	When full scale is detected, Mute function is disabled.	
1	0	x	When full scale is detected, Mute function is enabled. The AK4492 returns to normal operation automatically by a normal signal input.	
1	1	0	When full scale is detected, Mute function is enabled. The AK4492 keeps mute mode, even if a normal signal is input.	
1	1	1 (Note 53)	When full scale is detected, Mute function is enabled. The AK4492 returns to normal operation when a normal signal is input and DMRE bit is set to "1".	

(x: Don not care)

Note 53. DMRE bit returns to "0" automatically after the AK4492 returns to normal operation.

DMC: DSD Mute Control

0: Auto Return (default)

1: Mute Hold (manual return)

This register is only valid when DDM bit = "1". It selects the mute releasing mode of when the DSD data level becomes under full-scale after the AK4492 mutes DSD data by DDM bit setting.

DMR/DML

This register outputs detection flag when a full scale signal is detected at DSDR/L channel.

DDM: DSD Data Mute

The AK4492 has an internal mute function that mutes the output when DSD audio data becomes all "1" or all "0" for 2048 Samples (DCLK cycle). DDM bit controls this function.

0: Disable (default)

1: Enable

Addr	Register Name	D7	D6	D5	D4	D3	D2	D1	D0
07H	Control 5	0	0	0	0	GC2	GC1	GC0	SYNCE
	R/W	R/W	R/W	R/W	R/W	R/W	R/W	R/W	R/W
	Default	0	0	0	0	0	0	0	1

SYNCE: SYNC Mode Enable

0: SYNC Mode Disable

1: SYNC Mode Enable (default)

GC[2:0]: PCM, DSD Mode Gain Control

Table 33. Output Level between Set Values of GC[2:0] bit

GC[2] bit	GC[1] bit	GC[0] bit	AOUTLP/LN/RP/RN Output Level			
			PCM	DSD: Normal Path	DSD: Volume Bypass	
0	0	0	2.8 Vpp	2.8 Vpp	2.5 Vpp	(default)
0	0	1	2.8 Vpp	2.5 Vpp	2.5 Vpp	
0	1	0	2.5 Vpp	2.5 Vpp	2.5 Vpp	
0	1	1	2.5 Vpp	2.5 Vpp	2.5 Vpp	
1	0	0	3.75 Vpp	3.75 Vpp	2.5 Vpp	
1	0	1	3.75 Vpp	2.5 Vpp	2.5 Vpp	
1	1	0	2.5 Vpp	2.5 Vpp	2.5 Vpp	
1	1	1	2.5 Vpp	2.5 Vpp	2.5 Vpp	

Addr	Register Name	D7	D6	D5	D4	D3	D2	D1	D0
08H	Sound Control	0	0	0	0	HLOAD	0	0	0
	R/W	R/W	R/W	R/W	R/W	R/W	R/W	R/W	R/W
	Default	0	0	0	0	0	0	0	0

HLOAD: Heavy Load Mode Enable

0: Heavy Load Mode Disable (default)

1: Heavy Load Mode Enable

Addr	Register Name	D7	D6	D5	D4	D3	D2	D1	D0
09H	DSD2	0	0	0	0	0	DSDPATH	DSDF	DSDSEL1
	R/W	R	R	R	R	R	R/W	R/W	R/W
	Default	0	0	0	0	0	0	0	0

DSDSEL[1:0]: DSD data stream select

Table 21. DSD data stream select

DSDSEL1	DSDSEL0	DSD data stream			(default)
		fs = 32 kHz	fs = 44.1 kHz	fs = 48 kHz	
0	0	2.048 MHz	2.8224 MHz	3.072 MHz	
0	1	4.096 MHz	5.6448 MHz	6.144 MHz	
1	0	8.192 MHz	11.2896 MHz	12.288 MHz	
1	1	N/A	N/A	N/A	

DSDF: Cut-off frequency of DSD Filter Control

Table 29. DSD Filter Select

DSDF bit	Cut Off Frequency @fs = 44.1 kHz,			(default)
	DSD64fs	DSD128fs	DSD256fs	
0	39 kHz	78 kHz	156 kHz	
1	76 kHz	152 kHz	304 kHz	

DSDPATH: DSD Data Input Pin Select

0: A3, B1, B2 (default)

1: J1, H1, G1

Table 4. PCM/DSD/EXDF Mode Control

DP bit	EXDF bit	DSDPATH bit	D/A Conv. Mode	Pin Assignment					
				J1 pin	H1 pin	G1 pin	A3 pin	B1 pin	B2 pin
0 (default)	0 (default)	x	PCM	BICK	SDATA	LRCK	Not Use	Not Use	Not Use
1	x	0 (default)	DSD	Not Use	Not Use	Not Use	DCLK	DSDL	DSDR
1	x	1	DSD	DCLK	DSDL	DSDR	Not Use	Not Use	Not Use
0	1	x	EXDF	BCK	DINL	DINR	Not Use	Not Use	Not Use

(x: Do not care)

Addr	Register Name	D7	D6	D5	D4	D3	D2	D1	D0
0AH	Control 7	TDM1	TDM0	SDS1	SDS2	0	PW	0	0
	R/W	R/W	R/W	R/W	R/W	R/W	R/W	R/W	R/W
	Default	0	0	0	0	0	1	0	0

PW: Power ON/OFF control

0: Power off

1: Power on (default)

SDS[2:0]: Output Data Slot Selection of Each Channel ([Table 25](#))

Table 25. Output Data Slot Selection of Each Channel

	TDM1	TDM0	SDS2	SDS1	SDS0	DAC	
						Lch	Rch
Normal	0	0	x	x	x	L1	R1
TDM128	0	1	x	x	0	L1	R1
			x	x	1	L2	R2
TDM256	1	0	x	0	0	L1	R1
			x	0	1	L2	R2
			x	1	0	L3	R3
			x	1	1	L4	R4
TDM512	1	1	0	0	0	L1	R1
			0	0	1	L2	R2
			0	1	0	L3	R3
			0	1	1	L4	R4
			1	0	0	L5	R5
			1	0	1	L6	R6
			1	1	0	L7	R7
			1	1	1	L8	R8

(x: Do not care)

TDM[1:0]: TDM Mode Select

00: Normal (default)

01: TDM128

10: TDM256

11: TDM512

Addr	Register Name	D7	D6	D5	D4	D3	D2	D1	D0
0BH	Control 8	ATS1	ATS0	0	SDS0	0	0	DCHAIN	0
	R/W	R/W	R/W	R/W	R/W	R/W	R/W	R/W	R/W
	Default	0	0	0	0	0	0	0	0

DCHAIN: Daisy Chain Mode Enable
 0: Daisy Chain Mode Disable (default)
 1: Daisy Chain Mode Enable

SDS[2:0]: Output Data Slot Selection of Each Channel
 0: Normal Operation
 1: Changing Data Slot ([Table 25](#))
 Default value is "00".

ATS[1:0]: Transition Time between Set Values of ATT[7:0] bits ([Table 32](#))
 Default value is "00".

Addr	Register Name	D7	D6	D5	D4	D3	D2	D1	D0
0CH	Reserved	0	0	0	0	0	0	0	0
0DH	Reserved	0	0	0	0	0	0	0	0
0EH	Reserved	0	0	0	0	0	0	0	0
0FH	Reserved	0	0	0	0	0	0	0	0
10H	Reserved	0	0	0	0	0	0	0	0
11H	Reserved	0	0	0	0	0	0	0	0
	R/W	R/W	R/W	R/W	R/W	R/W	R/W	R/W	R/W
	Default	0	0	0	0	0	0	0	0

0CH: Reserved

0DH: Reserved

0EH: Reserved

0FH: Reserved

10H: Reserved

11H: Reserved

Addr	Register Name	D7	D6	D5	D4	D3	D2	D1	D0
12H	Reserved	0	0	0	0	0	0	0	0
13H	Reserved	0	0	0	0	0	0	0	0
14H	Reserved	0	0	0	0	0	0	0	0
R/W		R	R	R	R	R	R	R	R
Default		0	0	0	0	0	0	0	0

12H: Reserved

13H: Reserved

14H: Reserved

Addr	Register Name	D7	D6	D5	D4	D3	D2	D1	D0
15H	ADFS read	0	0	0	0	0	ADFS2	ADFS1	ADFS0
R/W		R	R	R	R	R	R	R	R
Default		0	0	0	0	0	0	0	0

ADFS[2:0]: Mode Detection Result in FS Auto Detect Mode

Table 43. Judgment result of Mode and ADFS[2:0]

ADFS2 bit	ADFS1 bit	ADFS0 bit	Mode
0	0	0	Normal Speed Mode
0	0	1	Double Speed Mode
0	1	0	Quad Speed Mode
0	1	1	Quad Speed Mode
1	0	0	Oct Speed Mode
1	0	1	Hex Speed Mode
1	1	0	Oct Speed Mode
1	1	1	Hex Speed Mode

10. Recommended External Circuits

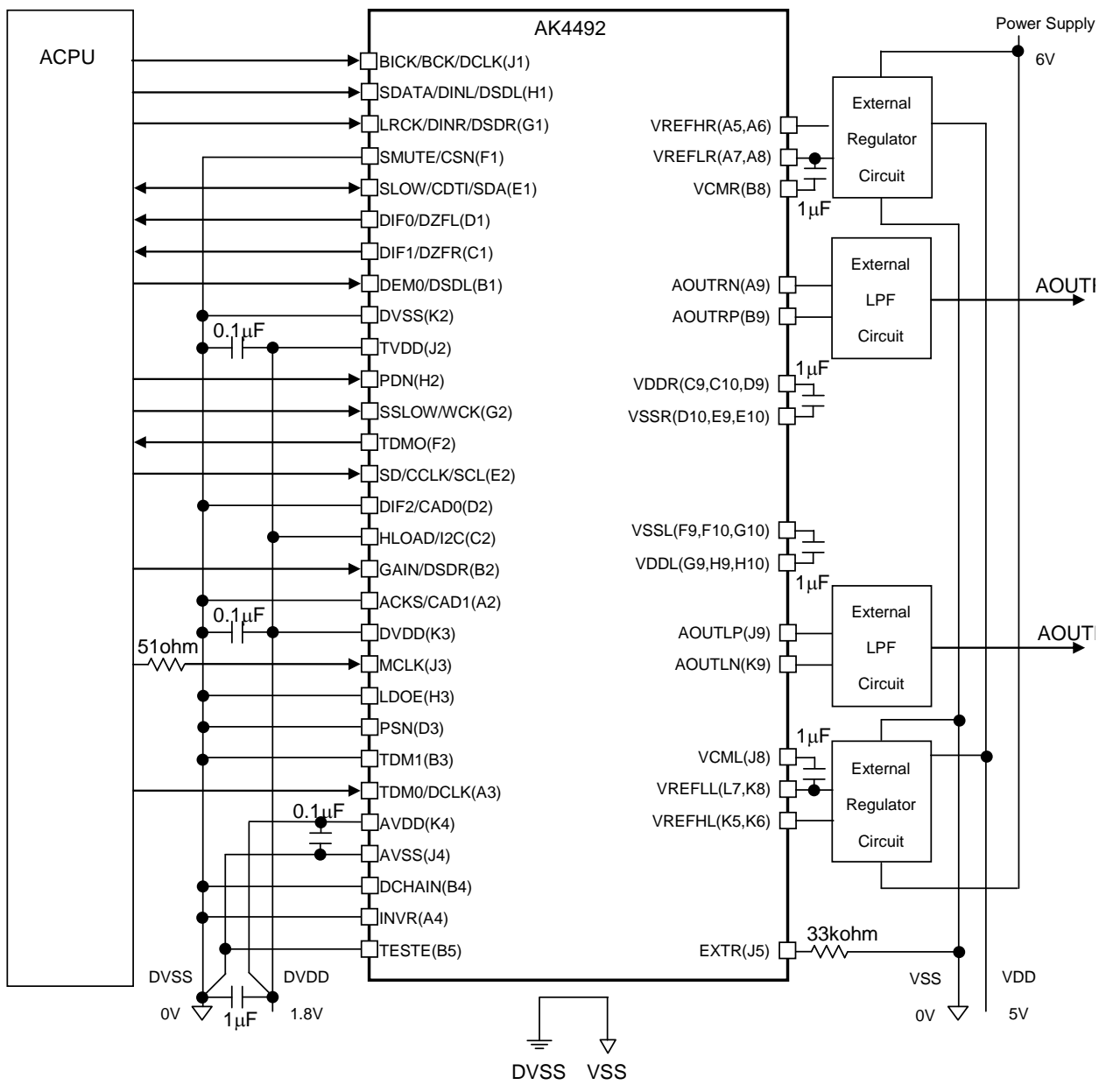


Figure 72. Typical Connection Diagram
 (AVDD = TVDD = DVDD = 1.8 V, VDDL/R = 5.0 V, LDOE pin = "L", Register control mode)

Note:

- Chip Address = "00". BICK = 64fs, LRCK = fs
- Power lines of AVDD, TVDD, VDDL and VDDR should be distributed separately from the point with low impedance of regulator etc.
- AVSS, DVSS, VSSL and VSSR must be connected to the same analog ground plane. (Analog ground should has low impedance as a solid pattern. THD+N characteristics will degrade if there are impedances between each VSS.)
- It is recommended to input MCLK via a dumping resistor of 51ohm. Without the resistor, there is a possibility that THD+N characteristic degrades because of high-frequency noise of MCLK.
- All input pins except pull-down/pull-up pins should not be allowed to float.

1. Grounding and Power Supply Decoupling

To minimize coupling by digital noise, decoupling capacitors should be connected to AVDD, TVDD, DVDD, VDDL and VDDR. AVDD and VDDL/R are supplied from analog supply in system, and TVDD and DVDD are supplied from digital supply in system. Power lines of VDDL/R should be distributed separately from the point with low impedance of regulator etc.

When not using the LDO (LDOE pin = "L"), all power supplies (DVDD (1.8V), TVDD and AVDD (3.3V) and VDDL/R (5V)) should be powered up at the same time or sequentially in the order of 3.3V (TVDD, AVDD), 1.8V (DVDD) and 5V (VDDL/R).

The internal LDO outputs DVDD (1.8V) when the LDOE pin = "H". 3.3V (TVDD and AVDD) power supplies must be powered up before or at the same time with 5V (VDDL/R) power supplies when the LDOE pin = "H".

AVSS, DVSS, VSSL and VSSR must be connected to the same analog ground plane. Decoupling capacitors for high frequency should be placed as near as possible to the supply pin.

2. Voltage Reference

The differential voltage between VREFHL/R and VREFLL/R sets the full scale of the analog output range. The VREFHL/R pin is normally connected to VDD, and the VREFLL/R pin is normally connected to the VSS. The VREFH, VREFL pin should be connected to the noiseless power supply. If not, it is recommended to connect these pin to an external regulator circuit as shown in Figure 73. In this case, a tantalum or an electrolytic capacitor (6.8u) should be used between each of the VREFHL and VREFHR pins, and the VREFLL and VREFLR pins. Digital signal and clock lines should be kept away from the VREFHL/R and VREFLL/R pins in order to avoid unwanted coupling into the AK4492.

Low noise 5V (typ.) should be input to the external regulator circuit. If this input voltage has a noise, attenuate the noise by a 1st order LPF as shown in Figure 73.

No load current may be drawn from the VCML/R pin since VCML/R is a common voltage of analog signals.

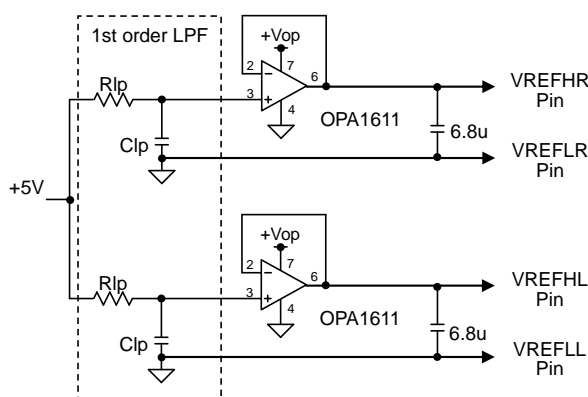


Figure 73. External Regulator Circuit Example

3. Analog Output

The analog outputs are full differential outputs. The differential outputs are summed externally, $V_{AOUT} = (AOUT+) - (AOUT-)$ between AOUT+ and AOUT-. If the summing gain is 1, the output range of the setting the GAIN pin = "L" or GC[2] bit = "0" is 2.8Vpp (typ, VREFHL/R – VREFLL/R = 5V) centered around VCML and VCMR voltages. In this case, the output range after summing will be 5.6V (typ.). The output range of the setting the GAIN pin = "H" or GC[2] bit = "1" is 3.75Vpp (typ.) centered around VCML and VCMR voltages. In this case, the output range after summing will be 7.5Vpp (typ.). The bias voltage of the external summing circuit is supplied externally.

The input data format is 2's complement. The output voltage (V_{AOUT}) is a positive full scale for 7FFFFFFFH (@32bit) and a negative full scale for 80000000H (@32bit). The ideal V_{AOUT} is 0V for 00000000H (@32bit). The internal switched-capacitor filters attenuate the noise generated by the delta-sigma modulator beyond

the audio passband. Figure 74 shows examples of external LPF circuit summing the differential outputs by a single op-amp. Load resistances of the analog output of the AK4492 are 1360 ohm for AOUT+ and 453 ohm for AOUT-, and the external LPF circuit can be driven regardless of the HLOAD pin or HLOAD bit setting. The HLOAD pin/bit should be set to “H/1” when driving the LPF circuit if the AOUT- load resistance is 300 ~ 400 ohm. The analog output will be 5.6 Vpp (typ.) after a single conversion with this circuit by setting the GAIN pin = “L” or GC[2] bit = “0”. It will be 7.5 Vpp if setting the GAIN pin = “H” or GC[2] bit = “1”. A resistor that has 0.1% or less absolute error must be used for external LPFs.

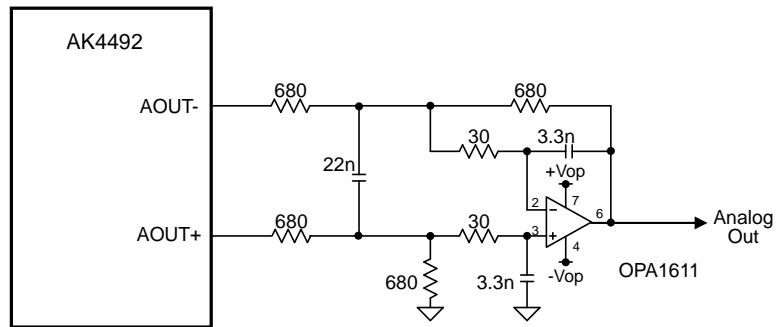


Figure 74. External LPF Circuit Example 1 (fc = 90 kHz(typ), Q = 0.705(typ))

Table 43. Frequency Response of External LPF Circuit Example 1

Gain(1 kHz,typ)		0 dB
Frequency Response (ref:1 kHz,typ)	20 kHz	-0.04 dB
	40 kHz	-0.22 dB
	80 kHz	-2.08 dB

4. Connection Example with the AK8157A

The AK8157A is the multi clock generator for the audio product with low RMS jitter. MCLK, BCLK and LRCK are generated by the AK8157A. Connection example of the AK4492 and the external device is as follows.

e.g. AK8157: Master / External DSP: Slave

MCLK, BCLK and LRCK are generated by the AK8157A.

SDATA for the AK4492 is output from the external DSP in synchronization with BCLK and LRCK.

System rayout should be designed so that a noise interference between VSS and DVSS does not occur.

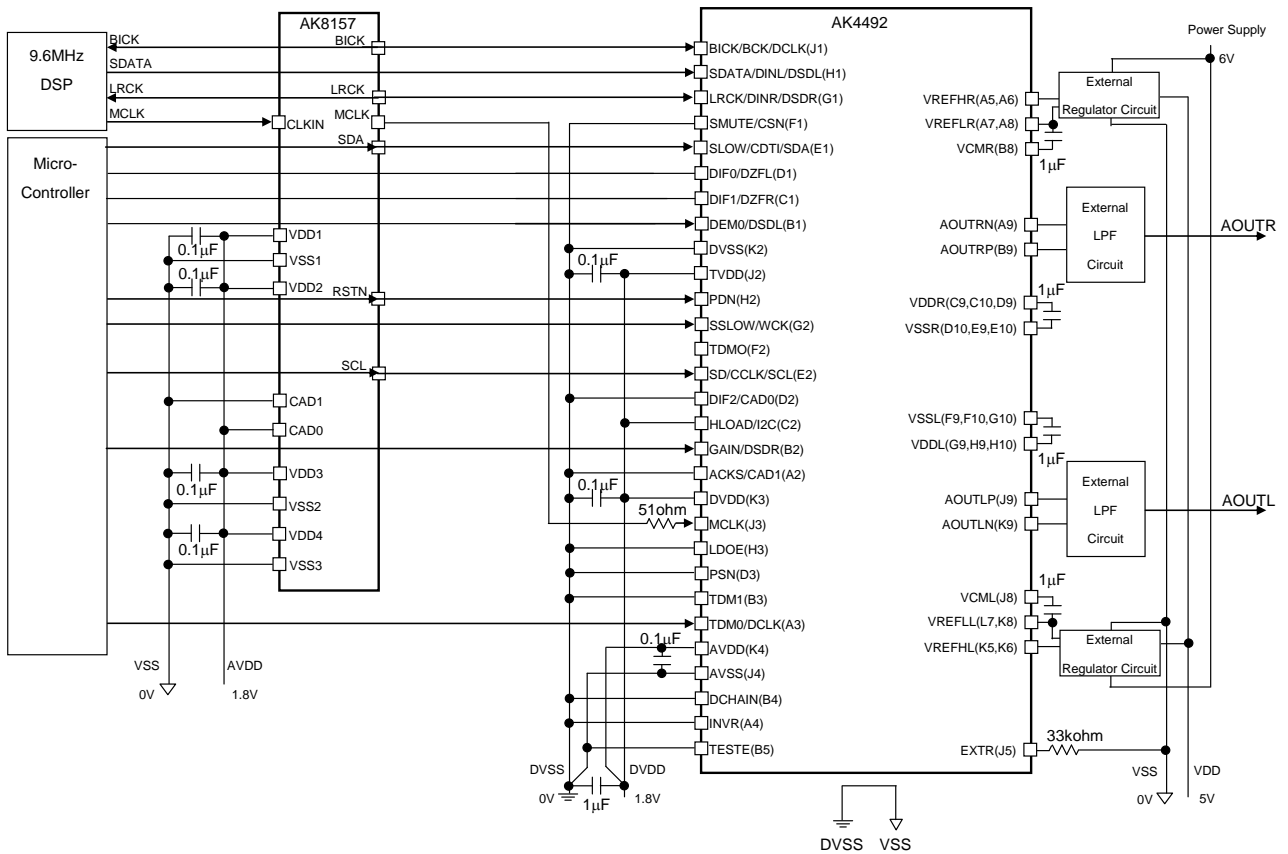


Figure 75. Circuit Example with AK8157A

5. Connection Example with the AK4205

The AK4205 is a low-distorsion stereo headphone amplifier with an analog switch for Hi-Fi mobile applications. It integrates a gain setting resistor and a LPF, saving mounting area of the printing circuit board. A connection example of the AK4492 and the AK44205 is shown below. Exposed pad (TAB) on the bottom surface of the package should be connected to the ground. System rayout should be designed so that a noise interference between VSS and DVSS does not occur.

The AK8175A can be connected at the input stage of the AK4492 (Figure 75).

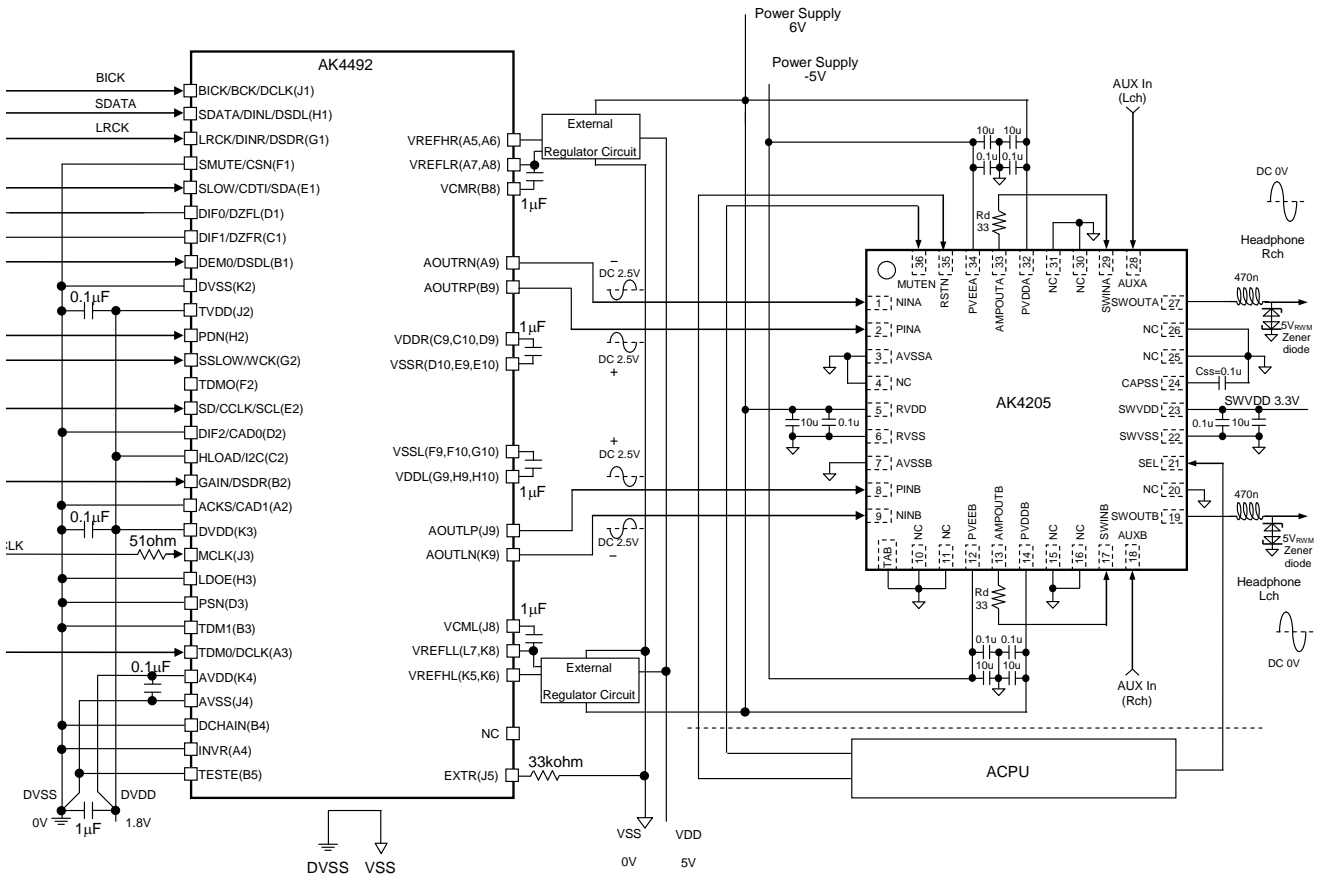
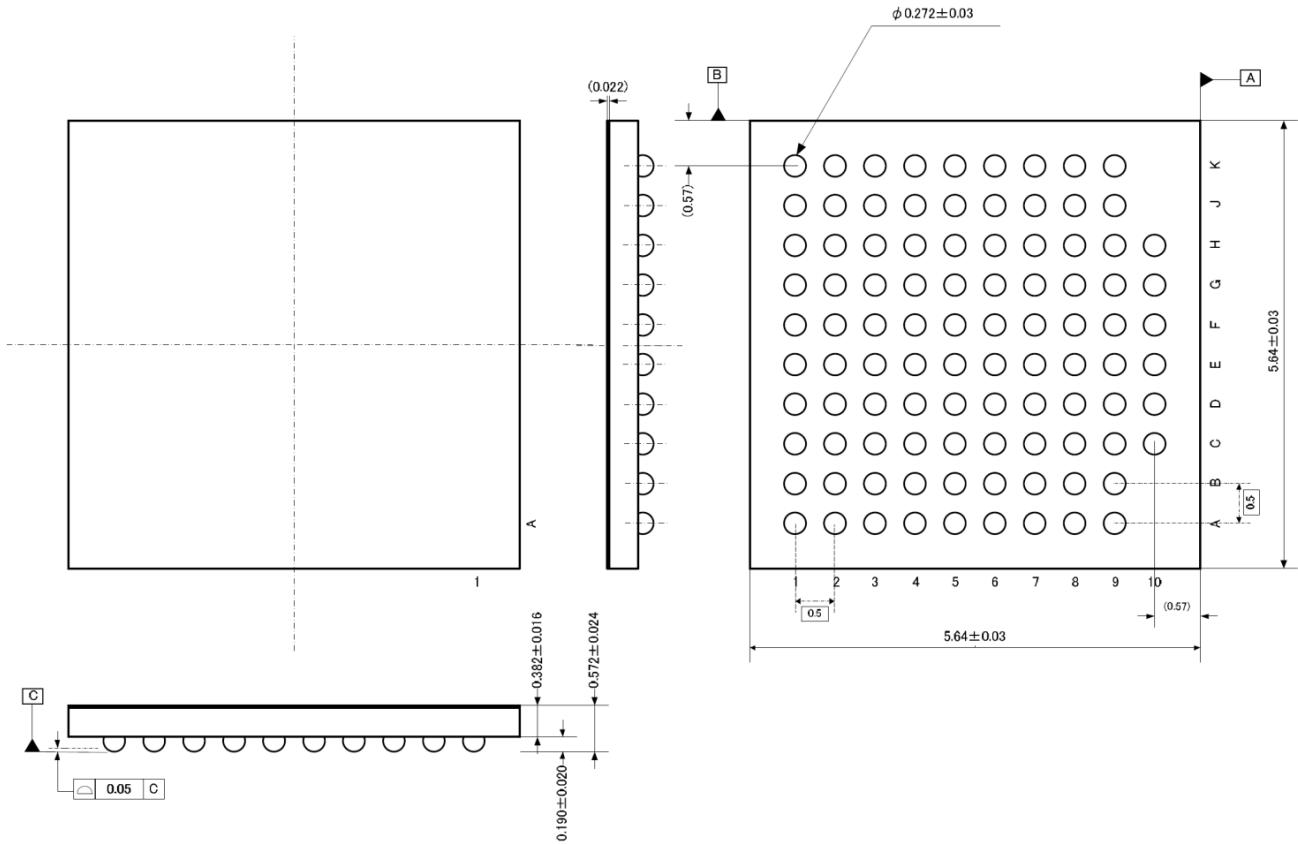


Figure 76. Circuit Example with AK4205

11. Package

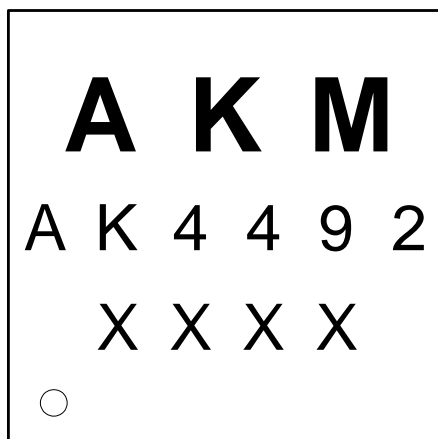
■ **Outline Dimensions (96-pin WLCSP)**



■ **Material & Lead Finish**

Package molding compound: Halogen free
 Solder ball material: SAC-405 (Sn/Ag/Cu)

■ **Marking**



- 1) AKM Logo
- 2) Pin #A1 indication
- 3) Date Code: XXXX (4 digits)
- 4) Marking Code: AK4492

12. Ordering Guide**■ Ordering Guide**

AK4492ECB -40 ~ +85°C 96-pin WLCSP
AKD4492 AK4492 Evaluation Board

13. Revesion History

Date (Y/M/D)	Revision	Reason	Page	Contents
16/12/1	00	First Edition		

IMPORTANT NOTICE

0. Asahi Kasei Microdevices Corporation (“AKM”) reserves the right to make changes to the information contained in this document without notice. When you consider any use or application of AKM product stipulated in this document (“Product”), please make inquiries the sales office of AKM or authorized distributors as to current status of the Products.
1. All information included in this document are provided only to illustrate the operation and application examples of AKM Products. AKM neither makes warranties or representations with respect to the accuracy or completeness of the information contained in this document nor grants any license to any intellectual property rights or any other rights of AKM or any third party with respect to the information in this document. You are fully responsible for use of such information contained in this document in your product design or applications. **AKM ASSUMES NO LIABILITY FOR ANY LOSSES INCURRED BY YOU OR THIRD PARTIES ARISING FROM THE USE OF SUCH INFORMATION IN YOUR PRODUCT DESIGN OR APPLICATIONS.**
2. The Product is neither intended nor warranted for use in equipment or systems that require extraordinarily high levels of quality and/or reliability and/or a malfunction or failure of which may cause loss of human life, bodily injury, serious property damage or serious public impact, including but not limited to, equipment used in nuclear facilities, equipment used in the aerospace industry, medical equipment, equipment used for automobiles, trains, ships and other transportation, traffic signaling equipment, equipment used to control combustions or explosions, safety devices, elevators and escalators, devices related to electric power, and equipment used in finance-related fields. Do not use Product for the above use unless specifically agreed by AKM in writing.
3. Though AKM works continually to improve the Product’s quality and reliability, you are responsible for complying with safety standards and for providing adequate designs and safeguards for your hardware, software and systems which minimize risk and avoid situations in which a malfunction or failure of the Product could cause loss of human life, bodily injury or damage to property, including data loss or corruption.
4. Do not use or otherwise make available the Product or related technology or any information contained in this document for any military purposes, including without limitation, for the design, development, use, stockpiling or manufacturing of nuclear, chemical, or biological weapons or missile technology products (mass destruction weapons). When exporting the Products or related technology or any information contained in this document, you should comply with the applicable export control laws and regulations and follow the procedures required by such laws and regulations. The Products and related technology may not be used for or incorporated into any products or systems whose manufacture, use, or sale is prohibited under any applicable domestic or foreign laws or regulations.
5. Please contact AKM sales representative for details as to environmental matters such as the RoHS compatibility of the Product. Please use the Product in compliance with all applicable laws and regulations that regulate the inclusion or use of controlled substances, including without limitation, the EU RoHS Directive. AKM assumes no liability for damages or losses occurring as a result of noncompliance with applicable laws and regulations.
6. Resale of the Product with provisions different from the statement and/or technical features set forth in this document shall immediately void any warranty granted by AKM for the Product and shall not create or extend in any manner whatsoever, any liability of AKM.
7. This document may not be reproduced or duplicated, in any form, in whole or in part, without prior written consent of AKM.