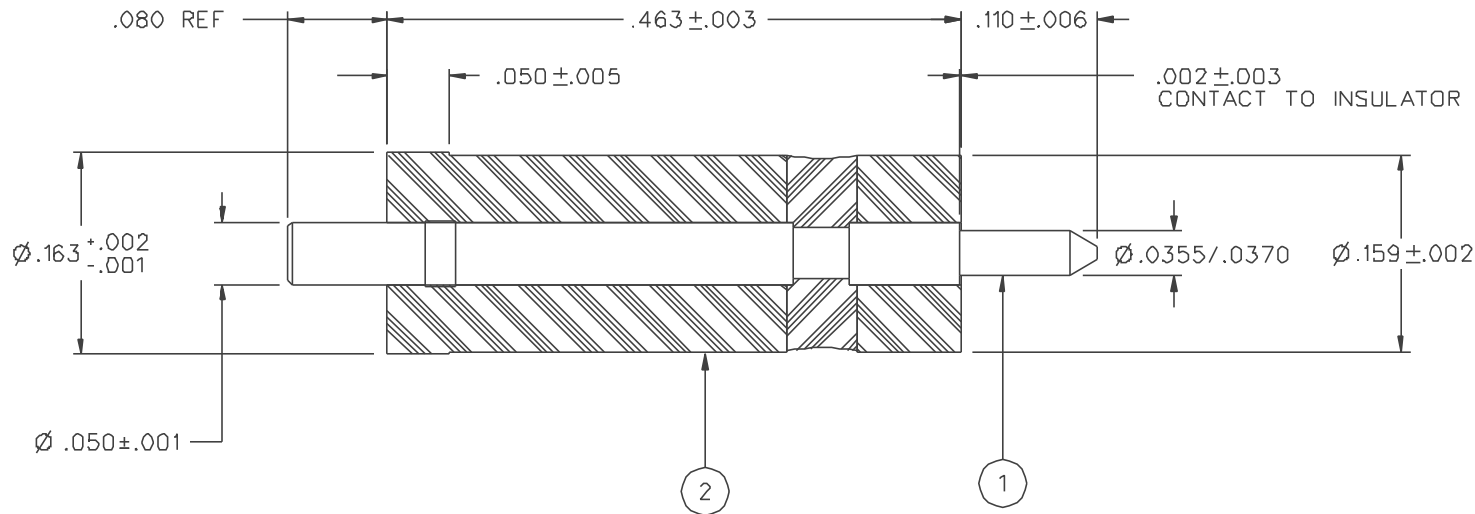


PART NUMBER 142-1000-018	ITEM ① CONTACT BRASS GOLD PL .00005 MIN OVER NICKEL PL .00005 MIN OVER COPPER PL .00005 MIN	ITEM ② INSULATOR TEFLON
-----------------------------	--	-------------------------------

DRAWING NO. B - 142-1000-018	
0	REVISIONS
ENGINEERING RELEASE	
1	9-27-97 R H J B A 10-3-97 ECN 45056
DELETED: .075+- .003 ADDED: .110+- .006	
2	12-5-97 R H J B A ECN 45221



CUSTOMER DRAWING

THIS DRAWING TO BE INTERPRETED
PER ANSY 14.5M - 1982

"μ STATION"


COMPANY CONFIDENTIAL

NOTES:

1. SPECIFICATIONS:

IMPEDEDANCE: 50 OHMS NOMINAL
 FREQUENCY RANGE: DC TO 26.5 GHZ
 VSWR: DEPENDANT ON APPLICATION
 WORKING VOLTAGE: 335 VRMS MAX AT SEA LEVEL
 DIELECTRIC WITHSTANDING VOLTAGE: 1000 VRMS AT SEA LEVEL
 INSULATION RESISTANCE: 5000 MEGOHM MIN

CONTACT TO INSULATOR RETENTION: 6 LBS MIN
 OPERATING TEMPERATURE: -55 DEG C TO +165 DEG C

TOLERANCE UNLESS OTHERWISE SPECIFIED		DRAWN BY RJB	DATE 9-10-97	 Cinch Connectivity Solutions 299 Johnson Ave. Ste. 100 Waseca, MN 56093 1-800-247-8256
DECIMALS .XX	mm	CHECKED BY	DATE	
.XXX		APPROVED BY RJB	DATE 9-29-97	TITLE ASSEMBLY, FEEDTHRU
MATL		APPROVED BY	DATE	CODE NO.
FINISH		RELEASE DATE	10-3-97	DRAWING NO. B - 142-1000-018
		SCALE 10:1	U/M INCH	SHEET 2 OF 2