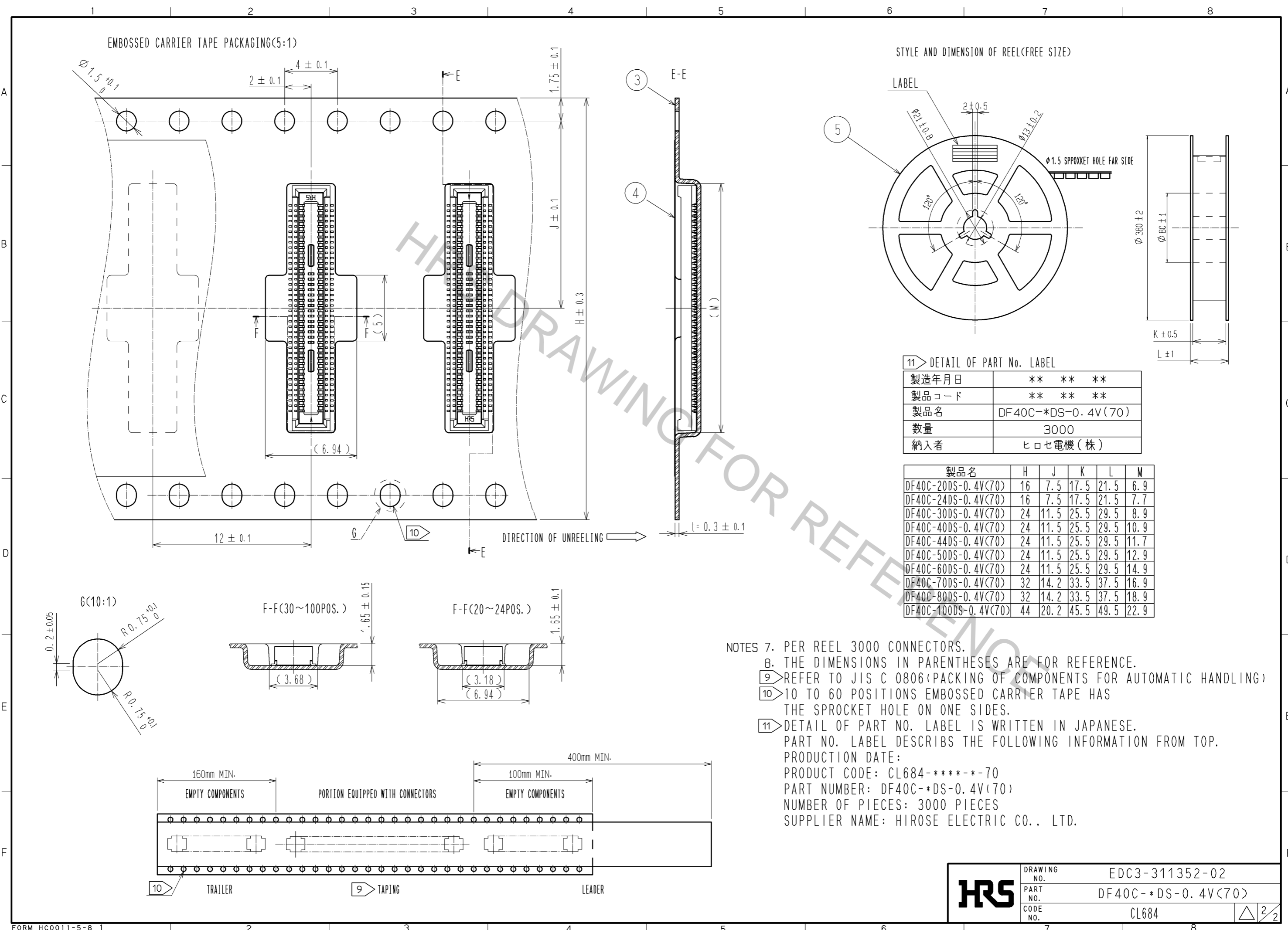


製品名	製品コード	B	C	D
DF40C-20DS-0.4V(70)	CL684-4005-9-70	6.6	3.6	1.0
DF40C-24DS-0.4V(70)	CL684-4006-1-70	7.4	4.4	1.2
DF40C-30DS-0.4V(70)	CL684-4007-4-70	8.6	5.6	1.5
DF40C-40DS-0.4V(70)	CL684-4008-7-70	10.6	7.6	3.2
DF40C-44DS-0.4V(70)	CL684-4096-4-70	11.4	8.4	3.2
DF40C-50DS-0.4V(70)	CL684-4009-0-70	12.6	9.6	3.2
DF40C-60DS-0.4V(70)	CL684-4004-6-70	14.6	11.6	3.2
DF40C-70DS-0.4V(70)	CL684-4016-5-70	16.6	13.6	3.2
DF40C-80DS-0.4V(70)	CL684-4002-0-70	18.6	15.6	3.2
DF40C-100DS-0.4V(70)	CL684-4033-4-70	22.6	19.6	3.2

NO.	MATERIAL	FINISH	REMARKS	NO.	MATERIAL	FINISH	REMARKS
2	PHOSPHOR BRONZE	CONTACT AREA: GOLD 0.05 μm MIN		5	PS	BLACK	
		SMT LEAD: GOLD 0.05 μm MIN		4	POLYESTER	CLEAR, COVER TAPE	
		UNDERPLATING: NICKEL 1 μm MIN		3	PS	CLEAR, EMBOSSED CARRIER TAPE	
1	LCP	BLACK, UL94V-0					

UNITS	SCALE	COUNT	DESCRIPTION OF REVISIONS	DESIGNED	CHECKED	DATE
mm	10:1	△	APPROVED : KH. IKEDA 09.10.19			
			CHECKED : AR. TAKAHASHI 09.10.17			
			DESIGNED : TK. SUZUKI 09.10.17			
			DRAWN : KR. AJITO 09.10.16			

DRAWING NO.	EDC3-311352-02
PART NO.	DF40C-*DS-0.4V(70)
CODE NO.	CL684



HRS	DRAWING NO.	EDC3-311352-02
	PART NO.	DF40C-*DS-0.4V(70)
	CODE NO.	CL684
		△ 2/2