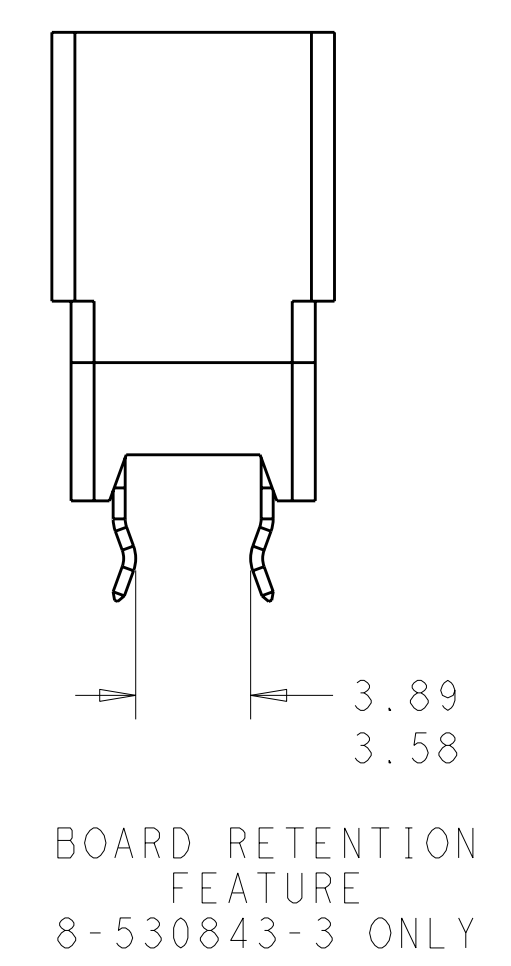
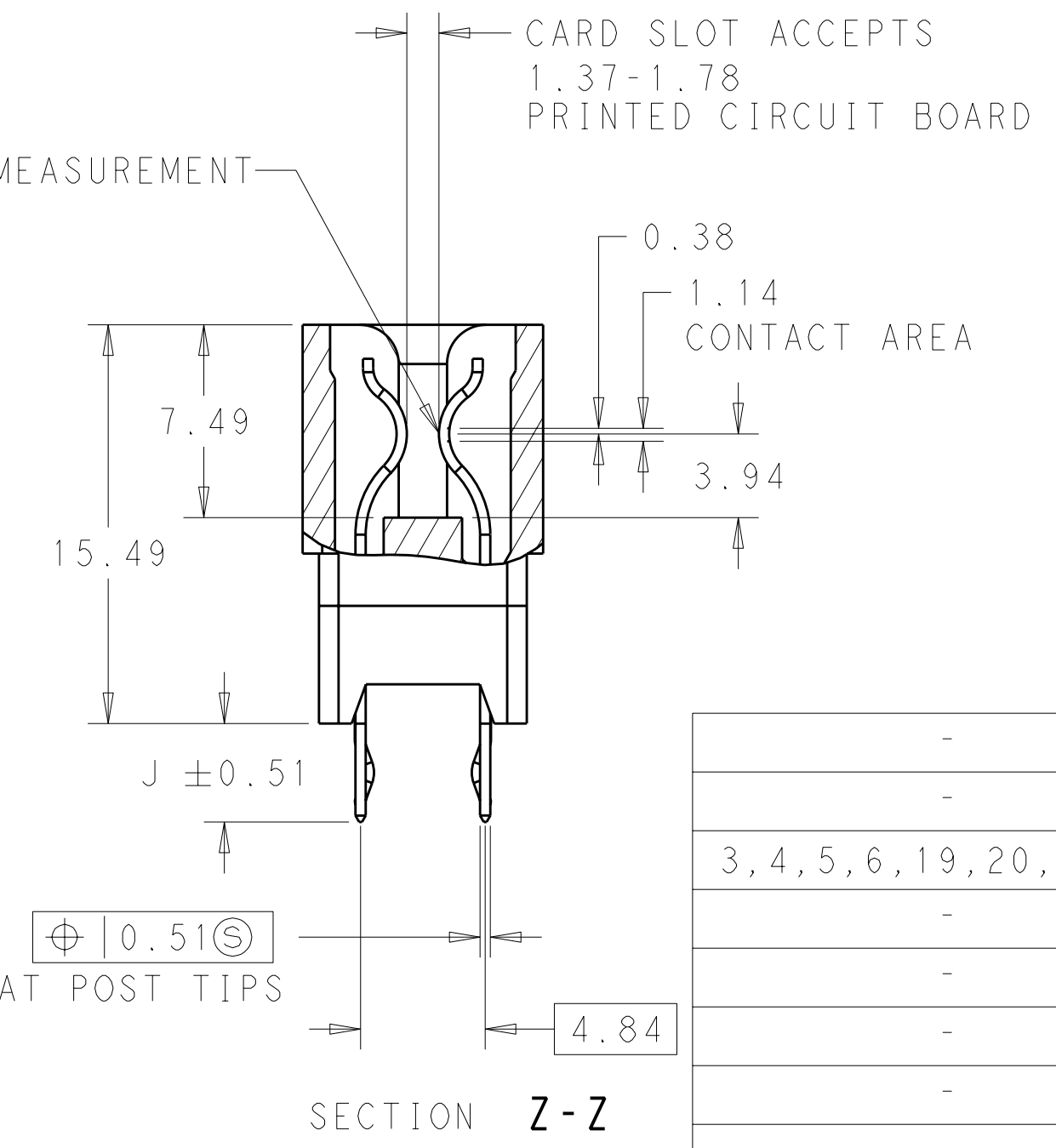
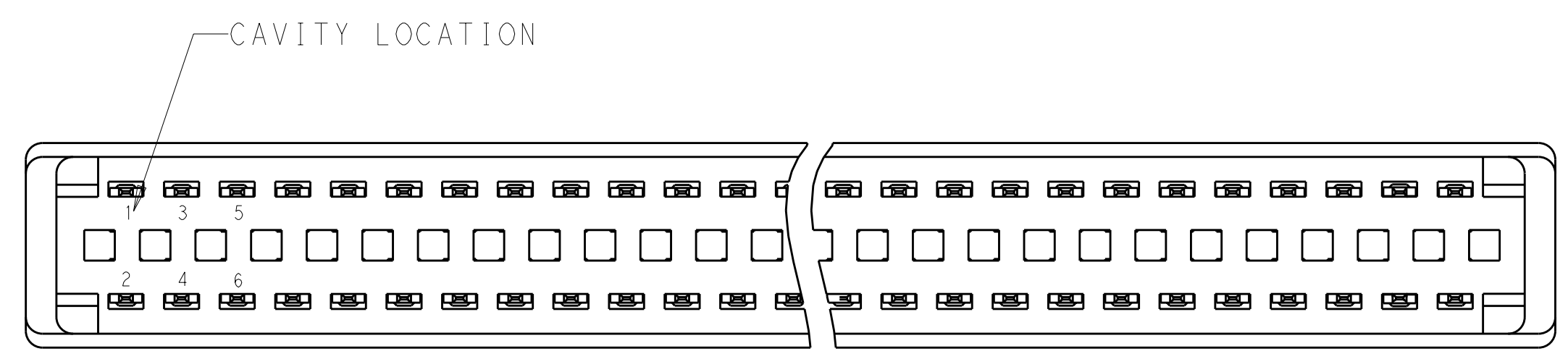
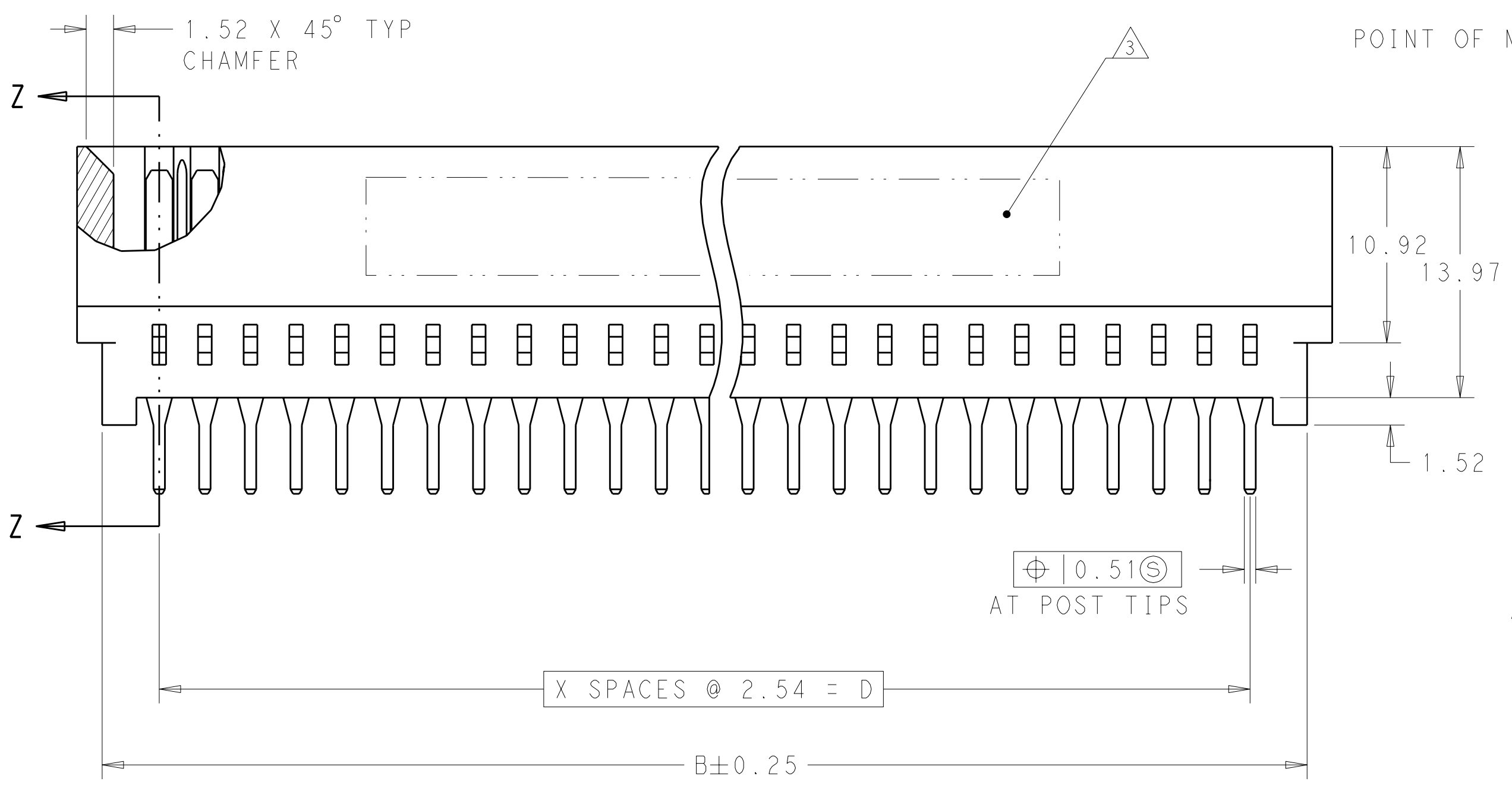
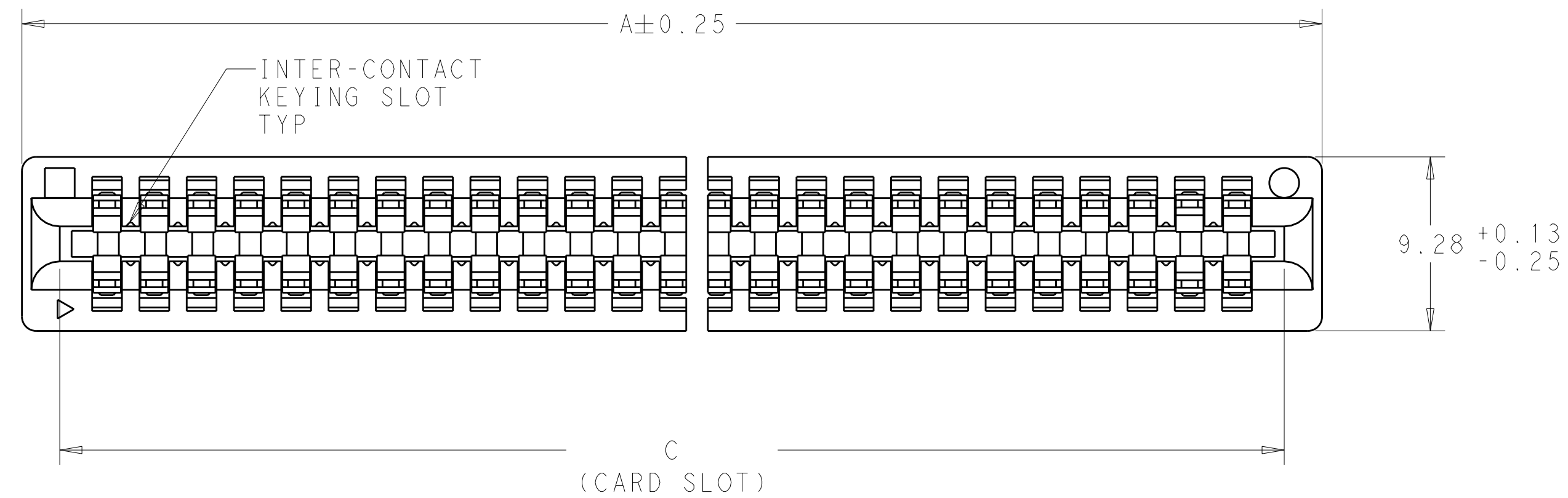


LOC	DIST	REV	DATE	BY	APPD
GP	00	1	11MAR2011	RK	HMR



- MATERIAL:
HOUSING: GLASS FILLED POLYESTER; COLOR: BLACK
CONTACT: PHOS BRONZE
- FINISH:
(SEE TABLE FOR GOLD PLATING) IN CONTACT AREA.
0.00254 MIN TIN-LEAD ON SOLDER POSTS, ALL
OVER 0.00127 MIN NICKEL
- AMP LOGO, TE CONNECTIVITY PART NUMBER, DATE CODE AND CSA LOGO INK STAMPED WHITE (HOT STAMPED OR LAZER PRINTED) IN THE APPROXIMATE AREA SHOWN, EITHER SIDE PERMISSABLE, WHEN HOUSING SIZE PERMITS
- RECOMMENDED PCB FINISHED HOLE DIAMETER = 1.02±0.08
- 0.00038 MIN
- 0.00076 MIN
- PRELIMINARY - NOT FOR PRODUCTION

REVISIONS	DATE	BY	APPD
OBSOLETE	8-530843-1		
OBSOLETE	4-530843-1		
OBSOLETE	1-530843-9		
	PART NUMBER		

BOARD RETENTION FEATURE LOCATION (SEE DETAIL Y)	FINSIH	Z	J	D	C	B	A	X	NO. OF DUAL POSITIONS	PART NUMBER
-	6	19.96	3.18	15.24	20.32	21.59	24.38	6	7	8-530843-5
-	6	22.50	3.18	17.78	22.86	24.13	26.92	7	8	8-530843-4
3, 4, 5, 6, 19, 20, 21, 22	6	32.66	3.18	27.94	33.02	34.29	37.08	11	12	8-530843-3
-	6	9.80	4.75	5.08	10.16	11.43	14.22	2	3	8-530843-2
-	6	9.80	3.18	5.08	10.16	11.43	14.22	2	3	7-530843-7
-	6	17.42	4.75	12.70	17.78	19.05	21.84	5	6	7-530843-6
-	6	17.42	3.18	12.70	17.78	19.05	21.84	5	6	7-530843-5
-	5	80.92	3.18	76.20	81.28	82.55	85.34	30	31	7-530843-0
-	6	80.92	3.18	76.20	81.28	82.55	85.34	30	31	6-530843-5
-	6	154.58	3.18	149.86	154.94	156.21	159.00	59	60	5-530843-5
-	6	52.98	3.18	48.26	53.34	54.61	57.40	19	20	5-530843-4
-	6	45.36	3.18	40.64	45.72	46.99	49.78	16	17	5-530843-3
-	6	27.58	3.18	22.86	27.94	29.21	32.00	9	10	5-530843-0
-	6	47.90	3.18	43.18	48.26	49.53	52.32	17	18	2-530843-7
-	6	91.08	3.18	86.36	91.44	92.71	95.50	34	35	2-530843-3
-	6	129.18	4.75	124.46	129.54	130.81	133.60	49	50	2-530843-2
-	6	103.78	4.75	99.06	104.14	105.41	108.20	39	40	2-530843-0
-	6	78.38	4.75	73.66	78.74	80.01	82.80	29	30	1-530843-8
-	6	32.66	4.75	27.94	33.02	34.29	37.08	11	12	1-530843-2
-	6	111.40	3.18	106.68	111.76	113.03	115.82	42	43	1-530843-0
-	6	93.62	3.18	88.90	93.98	95.25	98.04	35	36	530843-8
-	6	78.38	3.18	73.66	78.74	80.01	82.80	29	30	530843-7
-	6	73.30	3.18	68.58	73.66	74.93	77.72	27	28	530843-6
-	6	68.22	3.18	63.50	66.04	67.31	70.10	24	25	530843-5
-	6	58.06	3.18	53.34	58.42	59.69	62.48	21	22	530843-4
-	6	47.90	3.18	43.18	48.26	49.53	52.32	17	18	530843-3
-	6	40.28	3.18	35.56	40.64	41.91	44.70	14	15	530843-2
-	6	32.66	3.18	27.94	33.02	34.29	37.08	11	12	530843-1

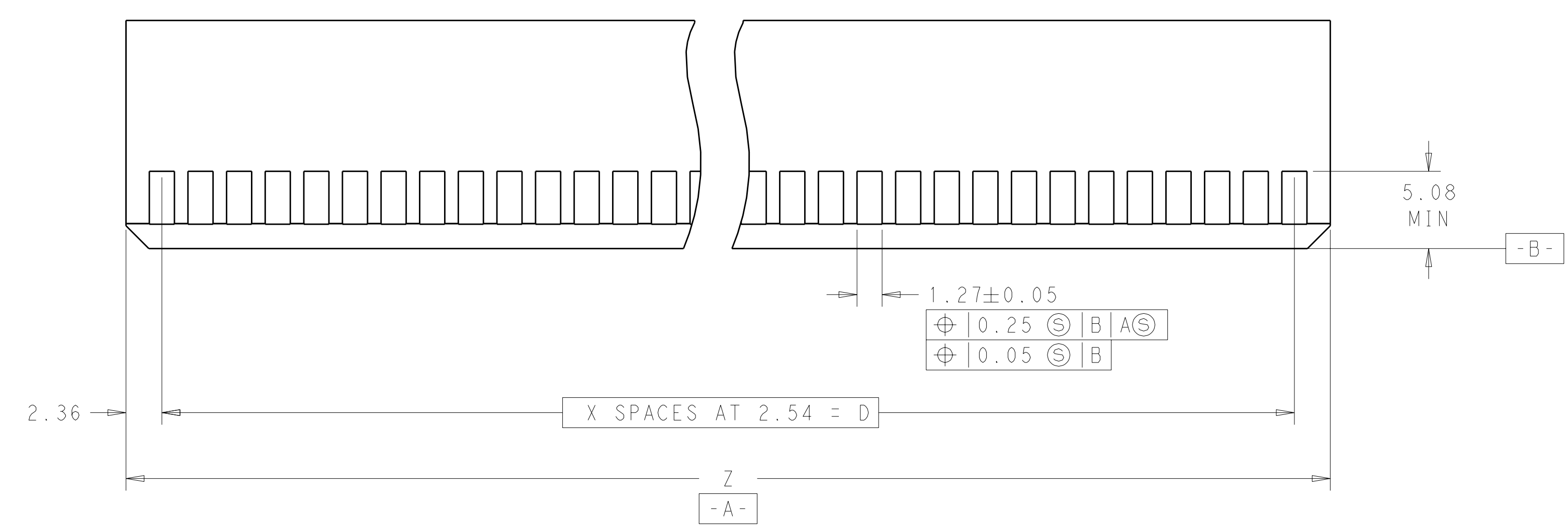
THIS DRAWING IS A CONTROLLED DOCUMENT.

DATE: 11SEP2009
 CHK: MAYER/GBZYBOWSKI
 HOWARD
 PERCHERKE
 PRODUCT SPEC
 108-9039
 APPLICATION SPEC
 114-13018
 WEIGHT: -
 CUSTOMER DRAWING

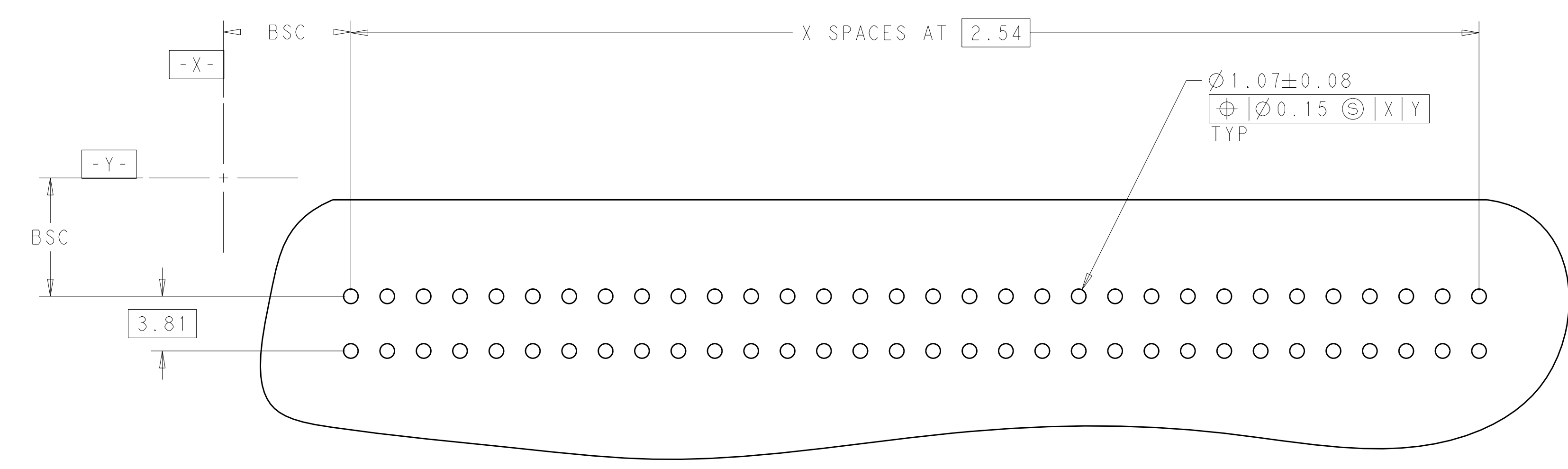
SCALE: 4:1

OBSOLETE
 NOT TO LATEST REVISION

LOC	DIST	REVISIONS			
GP	00	REV	DATE	BY	APPD
		-	-	-	-
		SEE SHEET 1			



RECOMMENDED MAIN BOARD EDGE CONFIGURATION



RECOMMENDED PC BOARD HOLE LAYOUT

THIS DRAWING IS A CONTROLLED DOCUMENT.		DWN: MAYER/GBZYBOWSKI 11SEP2009		CHK: HOWARD 11SEP2009		APVD: PERCHERKE 11SEP2009		NAME: CONNOR ASSEMBLY STANDARD EDGE II 2.54 CENTERLINE	
DIMENSIONS: MM		TOLERANCES UNLESS OTHERWISE SPECIFIED:		PRODUCT SPEC: 108-9039		APPLICATION SPEC: 114-13018		SIZE: A100779 CAGE CODE: C=530843	
MATERIAL: SEE NOTE 1		FINISH: #2		WEIGHT: -		CUSTOMER DRAWING		SCALE: 4:1 SHEET 2 OF 2 REV: AT5	