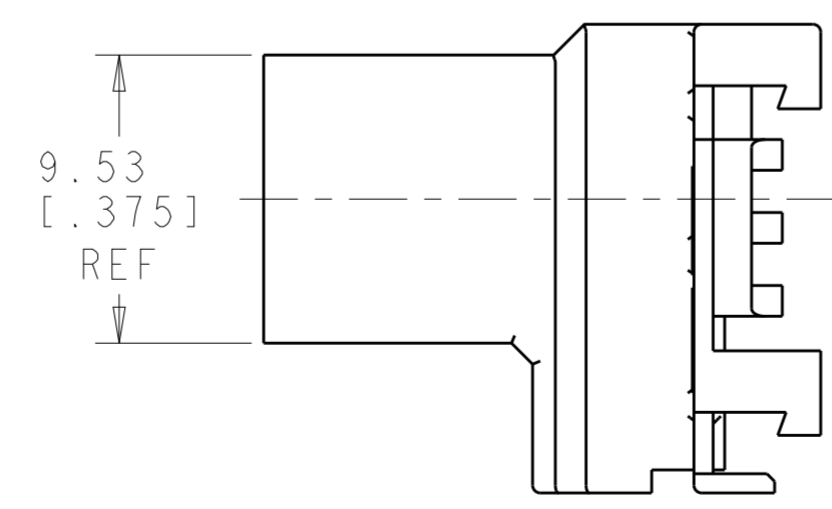
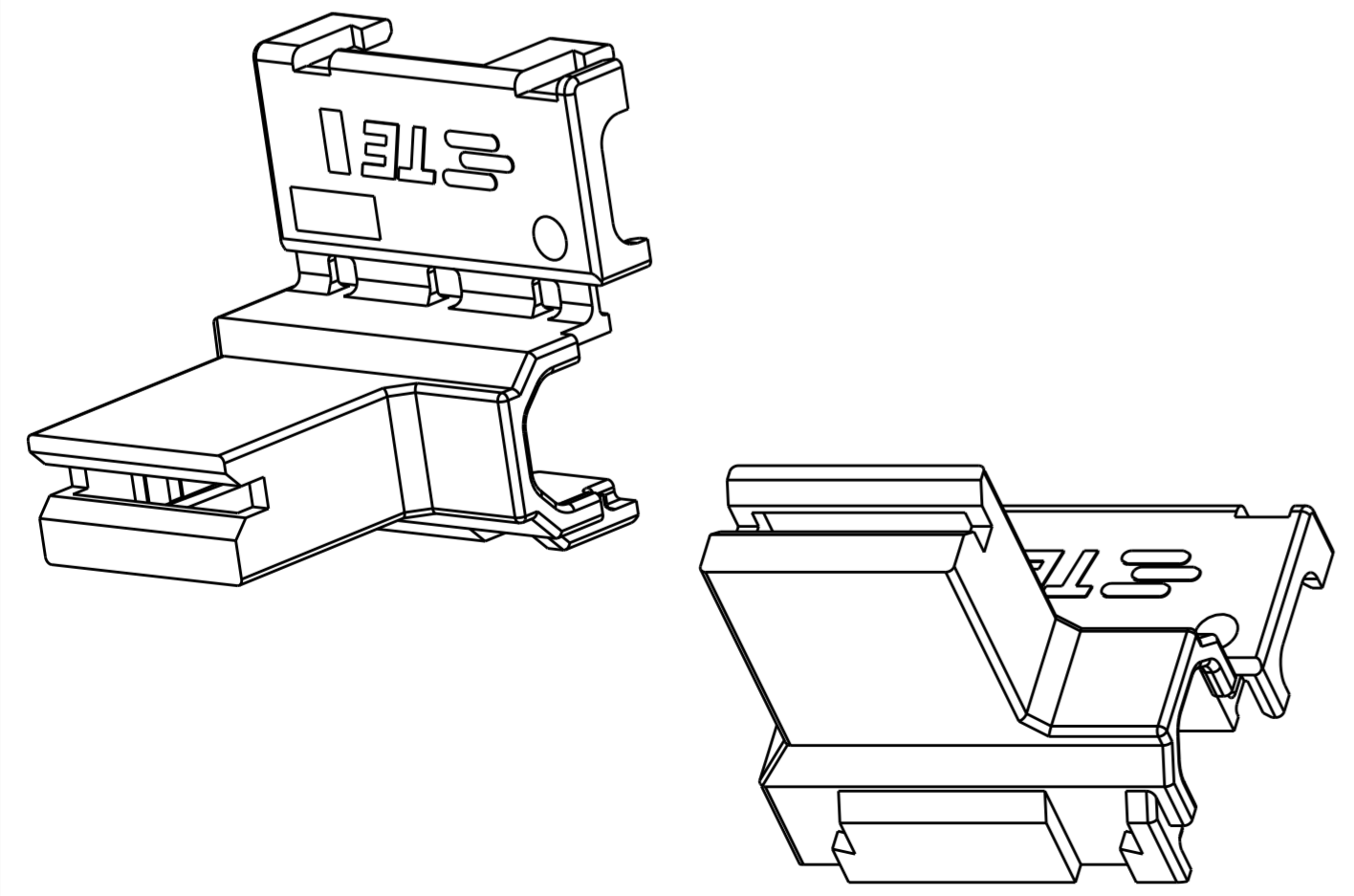
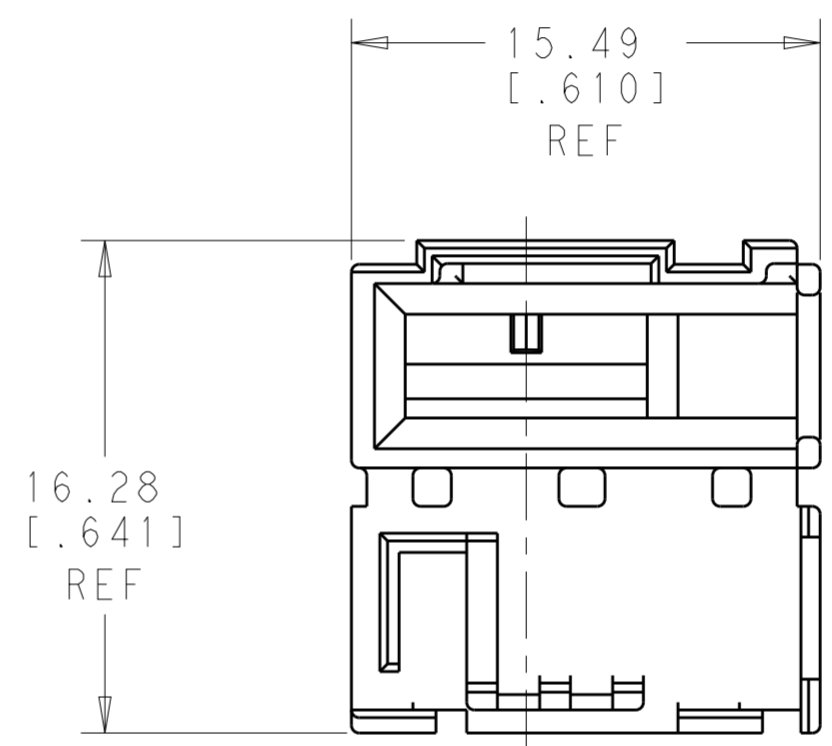
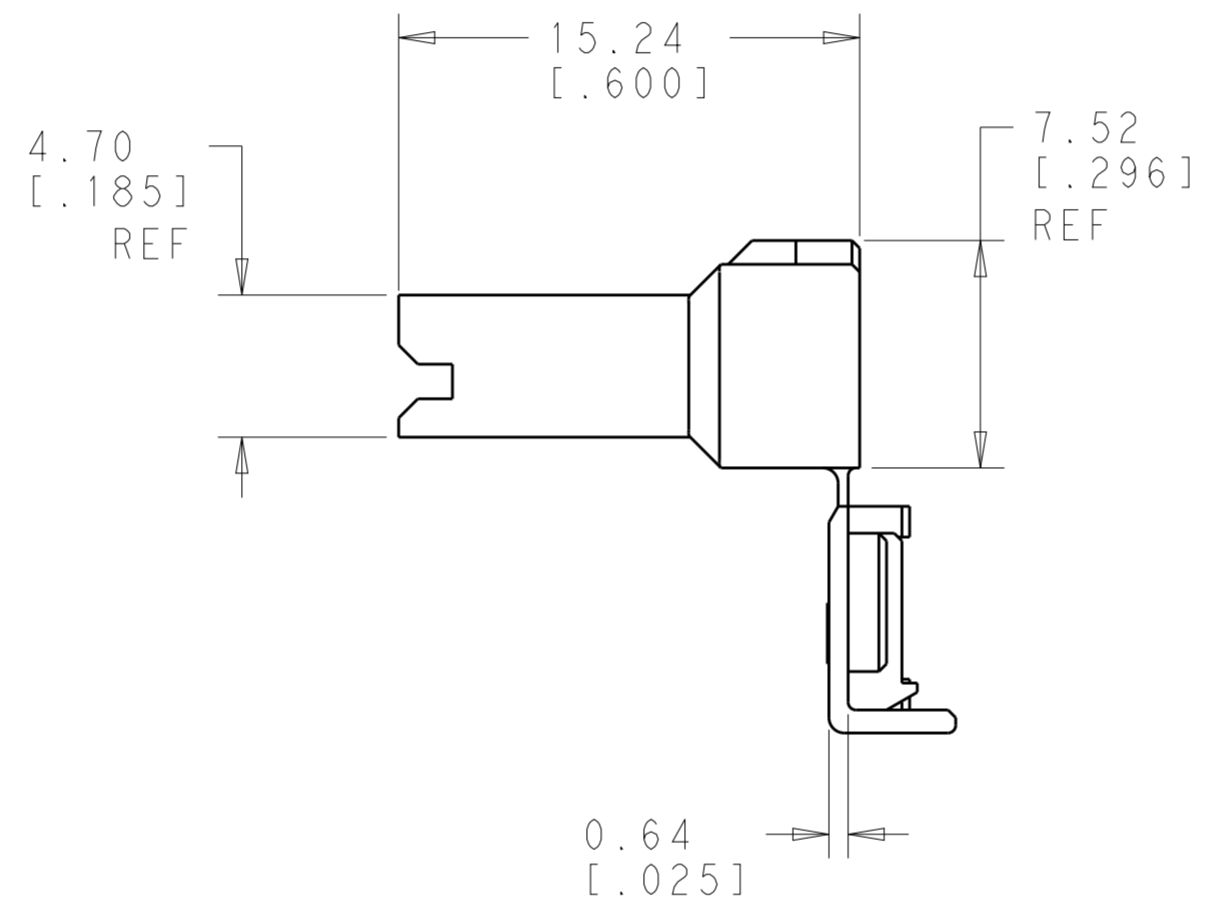
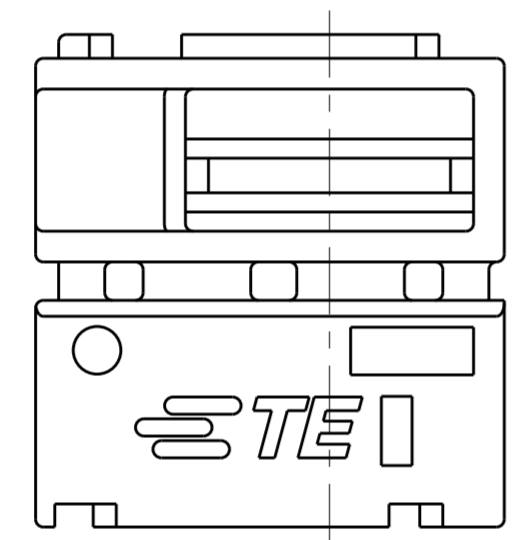
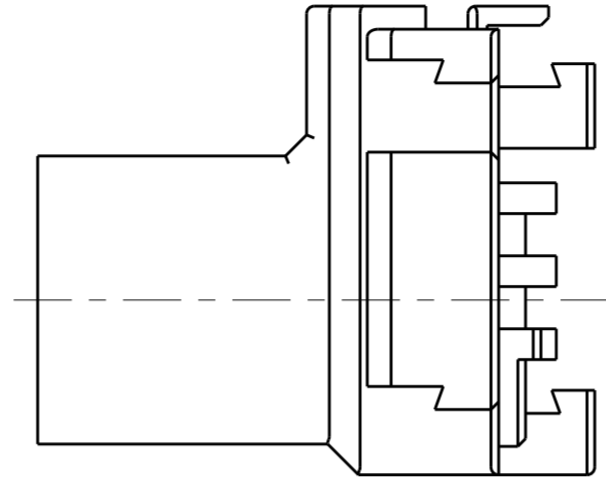


THIS DRAWING IS UNPUBLISHED. RELEASED FOR PUBLICATION  
 © COPYRIGHT copyright.d8te- ALL RIGHTS RESERVED.

REVISIONS				
P	LTR	DESCRIPTION	DATE	APVD
	A4	REVISED PER ECO-17-004441	29Mar2017	ST TD

1 THIS HOUSING ACCEPTS TERMINAL 63901-X OR 63012-X OR 63010-X.

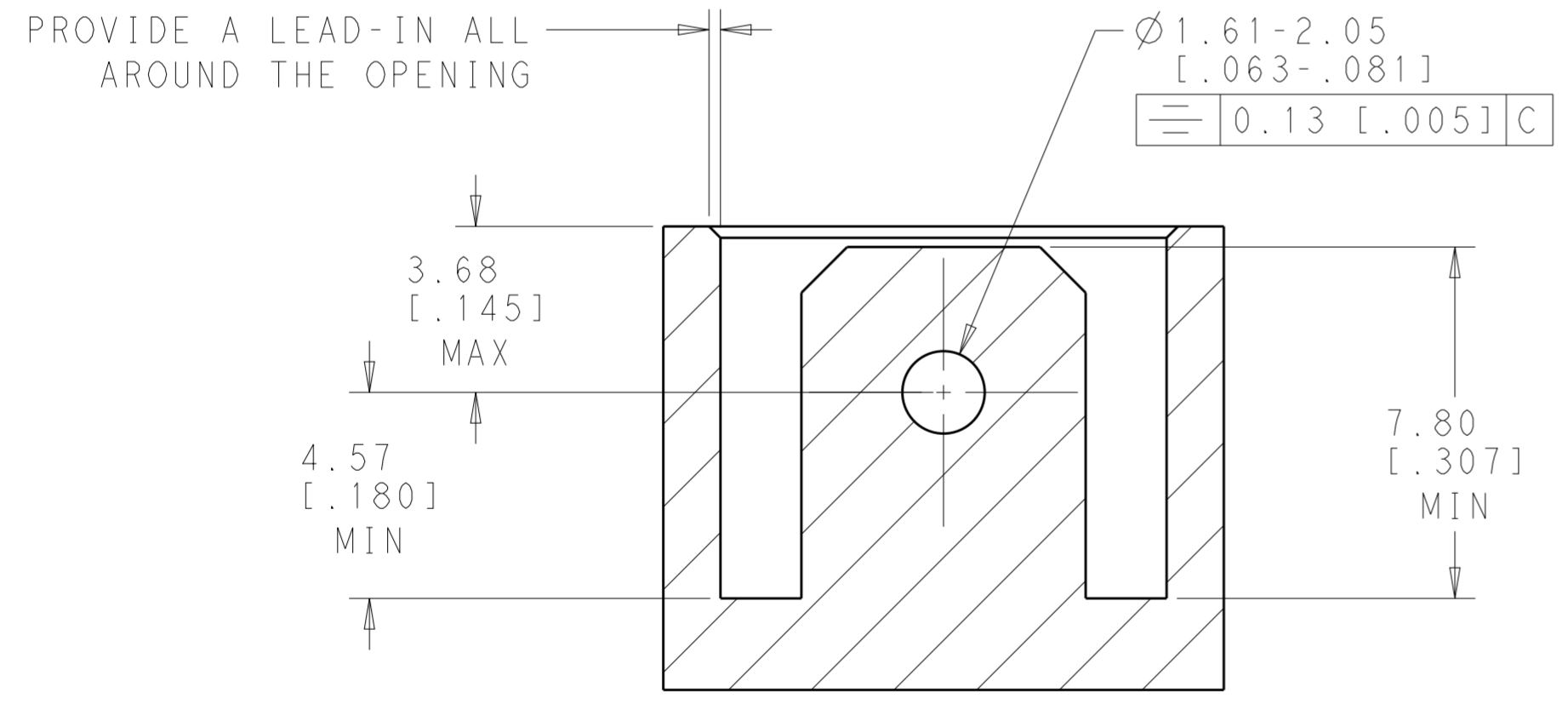
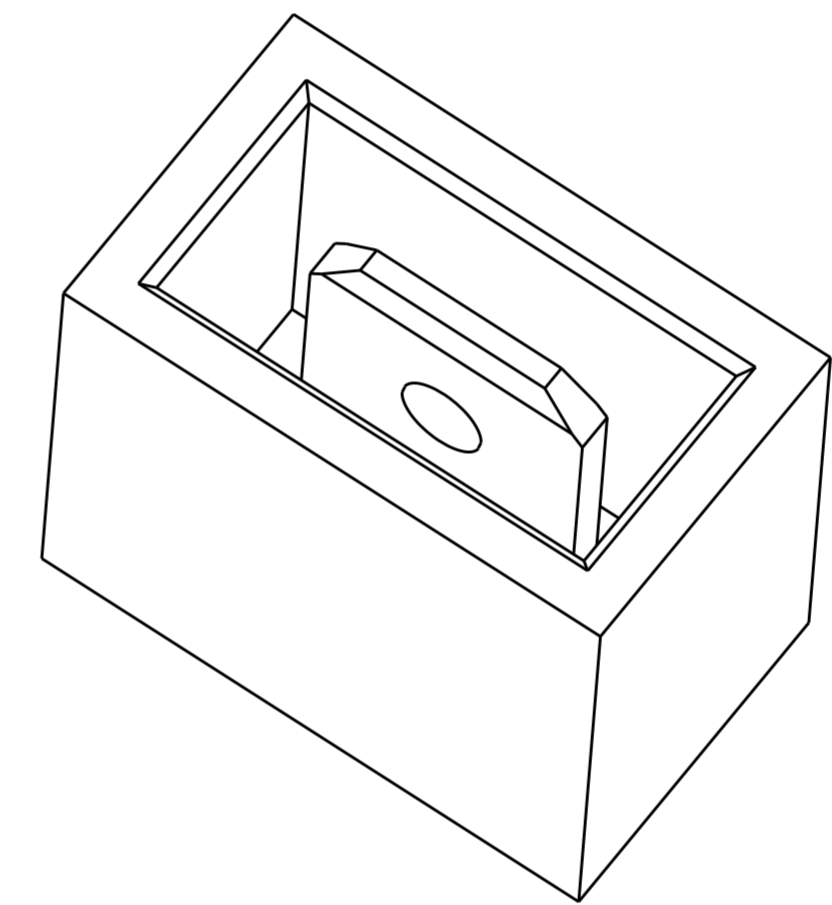
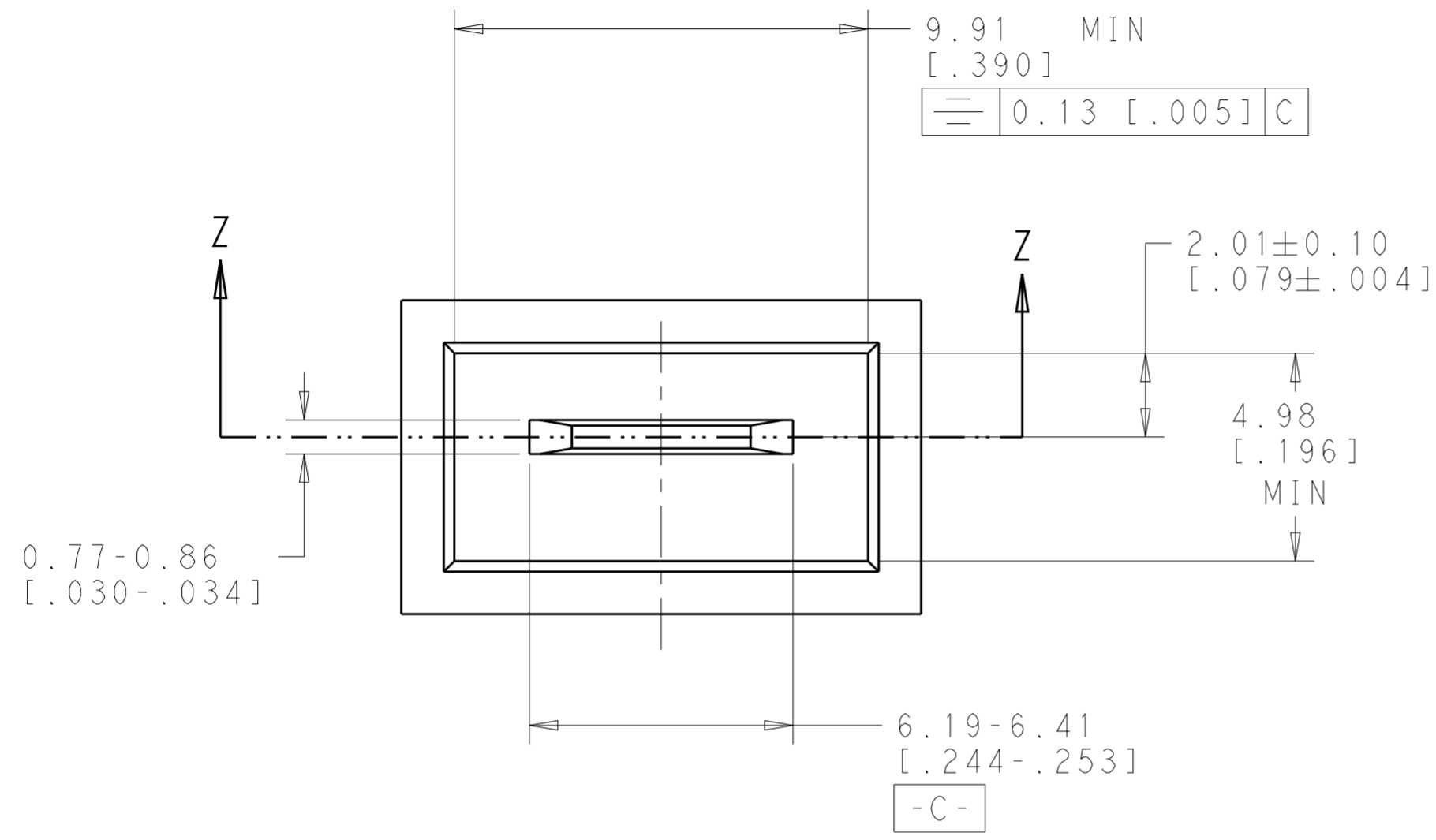


RED	NYLON, UL94V-0, 150°C	1969657-2
BLACK	NYLON, UL94V-0, 150°C	1969657-1
COLOR	MATERIAL	PART NO.

THIS DRAWING IS A CONTROLLED DOCUMENT.		DWN JR RUTH 22OCT13	<b>STE</b> TE Connectivity	
DIMENSIONS: mm [INCHES]		CHK PETE DESANTIS 22OCT13		
TOLERANCES UNLESS OTHERWISE SPECIFIED:		APVD PETE DESANTIS 22OCT13	NAME HOUSING, RECEPTACLE, FLAG FASTON, RIGHT HAND	
0 PLC ±		PRODUCT SPEC -	SIZE A2	
1 PLC ±		APPLICATION SPEC -	CAGE CODE -	
2 PLC ±0.25 [.010]		WEIGHT -	DRAWING NO. C-1969657	
3 PLC ±		RESTRICTED TO -		
4 PLC ±		SCALE 4:1 SHEET 1 OF 2 REV A4		
ANGLES ±		CUSTOMER DRAWING		
FINISH				
SEE TABLE		COLOR-BLACK		

THIS DRAWING IS UNPUBLISHED. RELEASED FOR PUBLICATION  
 © COPYRIGHT copyright.d8te- ALL RIGHTS RESERVED.

REVISIONS				
P	LTR	DESCRIPTION	DATE	APVD
-	-	SEE SHEET 1	-	-



SECTION Z-Z

THIS DRAWING IS A CONTROLLED DOCUMENT.		DWN JR RUTH 22OCT13	TE Connectivity	
DIMENSIONS: mm [INCHES]		CHK PETE DESANTIS 22OCT13		
TOLERANCES UNLESS OTHERWISE SPECIFIED:		APVD PETE DESANTIS 22OCT13	NAME HOUSING, RECEPTACLE, FLAG FASTON, RIGHT HAND	
0 PLC ± 1 PLC ± 2 PLC ±0.25 [.010] 3 PLC ± 4 PLC ± ANGLES ± FINISH		PRODUCT SPEC -	SIZE A2	CAGE CODE -
MATERIAL SEE TABLE		APPLICATION SPEC -	DRAWING NO C-1969657	RESTRICTED TO -
COLOR-BLACK		WEIGHT -	SCALE 4:1	SHEET 2 OF 2
CUSTOMER DRAWING		REV A4		