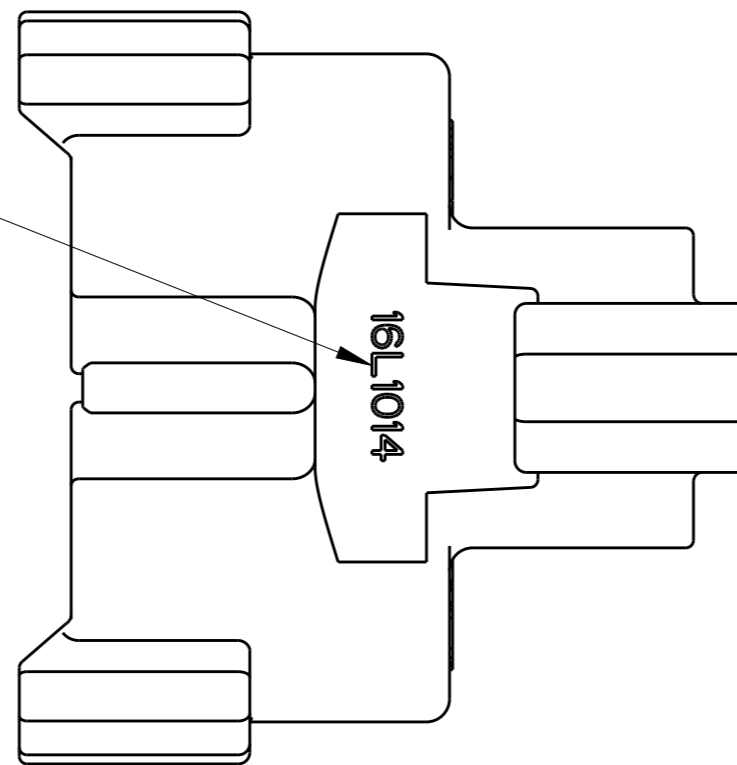


LOC		DIST		REVISIONS		
P	LTR	DESCRIPTION	DATE	DWN	APVD	
	A	MODIFIED PER E.O. P14945	28DEC1995	CW	RDR	
	B	REVISED PER E.O. P17144	27FEB2001	TY	RDR	
	B1	REVISED PER EC0-15-001241	26JAN2015	JA	DM	
	B2	REVISED PER PCN-E-16-015867	09NOV2016	KM	DM	

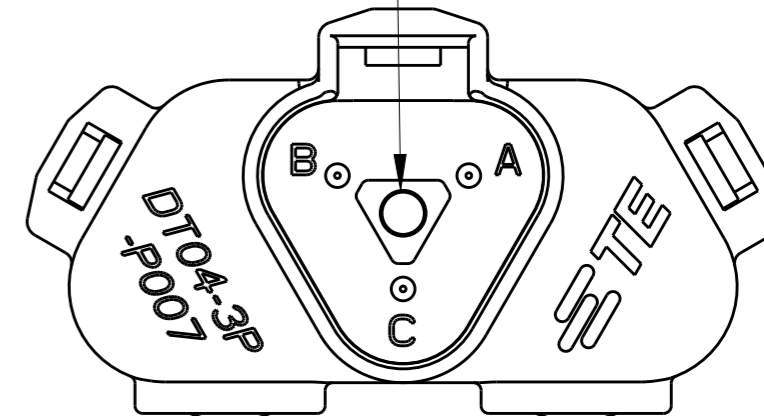
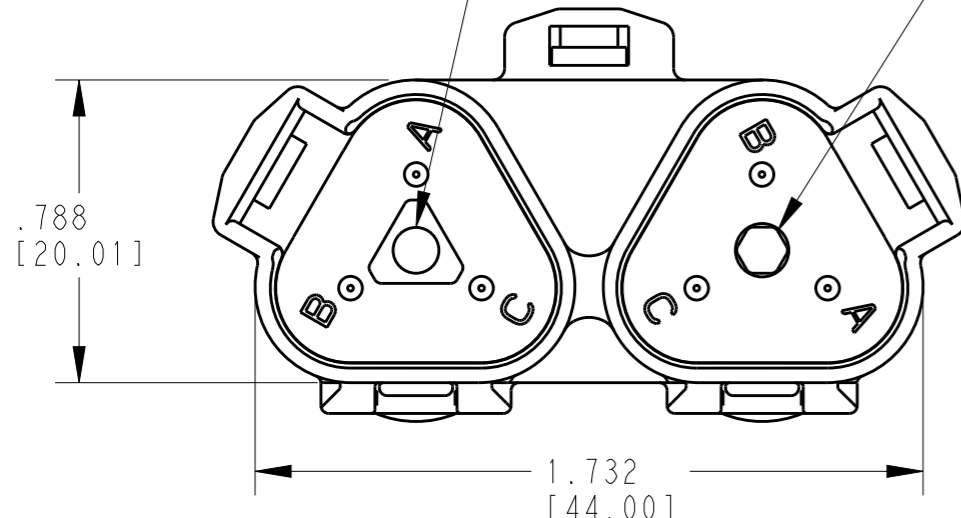
7 DIGIT DATECODE
 YEAR: FIRST AND SECOND DIGITS. (16 = 2016)
 MONTH: THRID DIGIT, EXCLUDING I. A = JAN.,
 B = FEB., C = MARCH.... (L = NOVEMBER)
 DAY: FOURTH AND FIFTH DIGITS (10 = 10th DAY)
 HOUR: SIXTH AND SEVENTH DIGITS (14 = 2-3PM)



DT 3PIN INTERFACE
 FOR J1939
 USE W3S-J1939 OR
 W3S-J1939-P012 WEDGE
 LOCK

DT 3PIN INTERFACE
 FOR J1939
 USE W3S OR W3S-P012
 WEDGE LOCK

DT 3PIN INTERFACE
 FOR J1939
 USE W3S-J1939 OR
 W3S-J1939-P012 WEDGE LOCK




3 MATERIAL: RECEPTACLE HOUSING: NYLON 6/6 15% GF,
 COLOR: GREY;
 CONTACTS: COPPER ALLOY, GOLD PLATED.

2. THIS RECEPTACLE MATES WITH THE DT06-3S-XXXX PLUG.
 (XXXX = ALL MODIFICATIONS)
 SEE NOTES FOR APPROPRIATE WEDGE LOCK.

1. CONSULT FACTORY FOR SPECIFICATIONS.

NOTES:

TE INTERNAL PN	DEUTSCH PN
DT04-3P-P007	DT04-3P-P007

THIS DRAWING IS A CONTROLLED DOCUMENT.		DWN 17AUG1995 CLARK WOODRUFF	 TE Connectivity	
DIMENSIONS: INCHES [mm]		CHK 27FEB2001 ALEX ROLINSKI		
TOLERANCES UNLESS OTHERWISE SPECIFIED:		APVD 26FEB2001 STEVE BEARD	NAME 3 WAY T-RECEPTACLE -P007 MOD DT SERIES	
0 PLC ± 1 PLC ± 2 PLC ± 3 PLC ±.025 [0.64] 4 PLC ± ANGLES ±0°30'0"		PRODUCT SPEC N/A	SIZE A3	
MATERIAL 3		APPLICATION SPEC N/A	CAGE CODE 4AFU8	DRAWING NO DT04-3P-P007
FINISH N/A		WEIGHT 23.70g	RESTRICTED TO GEN	
		Customer Drawing	SCALE 1:1	SHEET 1 OF 1
			REV B2	