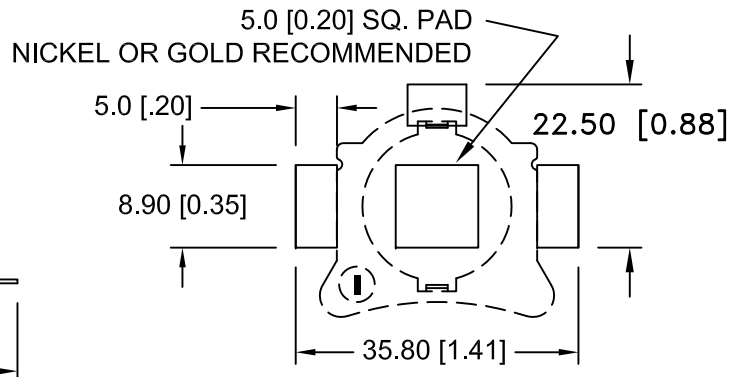
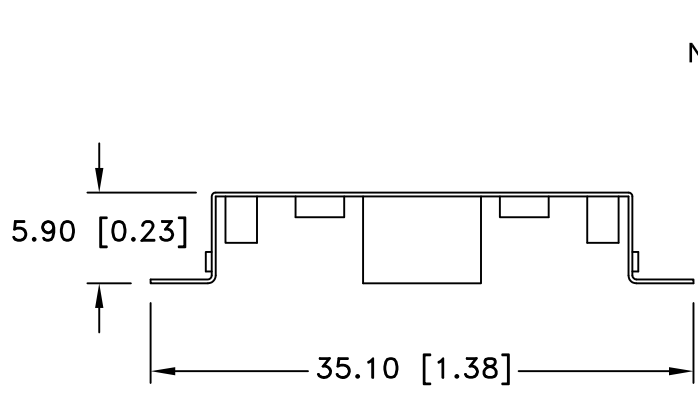
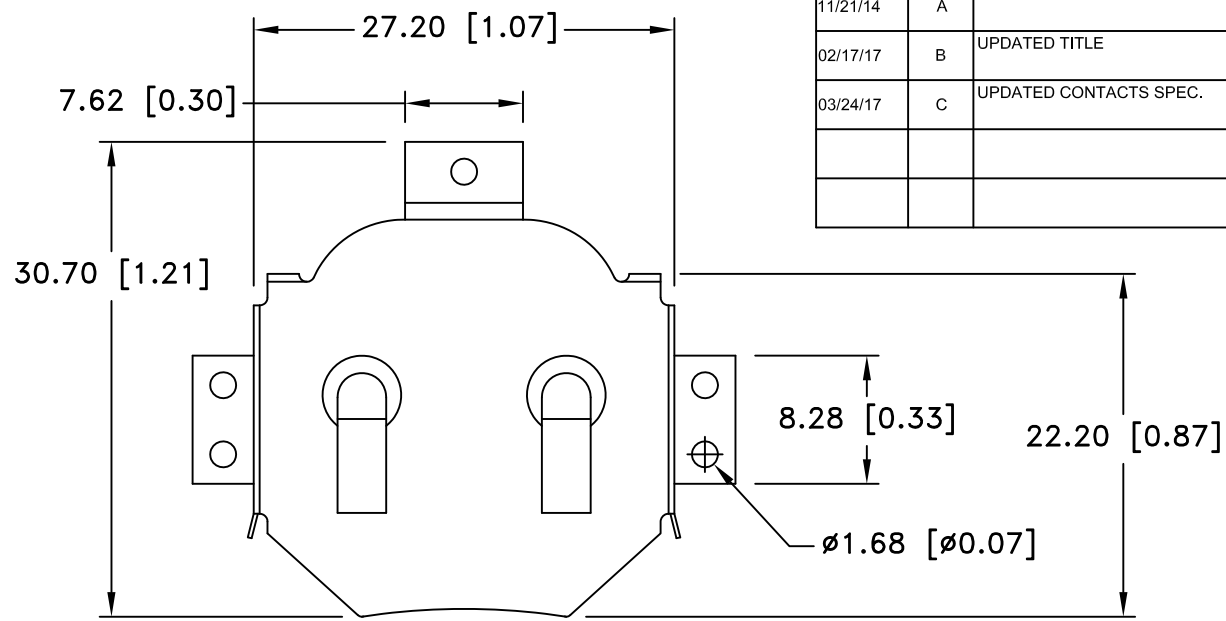



Date	SYM	REVISION RECORD	AUTH	DR.	CK.
11/21/14	A	UPDATED TO ROHS 2 COMPLIANT	T.B.	B.S.	
02/17/17	B	UPDATED TITLE	T.B.	B.S.	
03/24/17	C	UPDATED CONTACTS SPEC.	T.B.	B.S.	



**PCB LAYOUT**

**SPECIFICATIONS:**

- \* Contacts : Phosphor Bronze C5191, Nickel Plated
- \* Vibration test: 10-50-10 hz swept in 60 seconds  
x,y,z direction: 1 hour each direction
- \* Result: no dislodgement of the cell or damage  
no discontinuity over 10 micro-seconds
- \* Shock test: half sine wave acceleration 150g.  
6 milli-seconds 3 shock pulses each direction per axis,  
total of 18 pulses
- \* Result: no evidence of physical damage
- \* ROHS 2 COMPLIANT

Tolerance (Except as noted)	 <b>Memory Protection Devices, Inc</b> 200 Broad Hollow Road, Farmingdale, New York 11735	Scale	Drawn By B.S.
			Approved By T.B.
decimal ±.5 (.020)	Title CR2450 SURFACE MOUNT BATTERY RETAINER	Date 03/24/17	
Fractional ± .8 (.030)		Drawing Number BRX1-2450-SM	
Angular ± 3°			