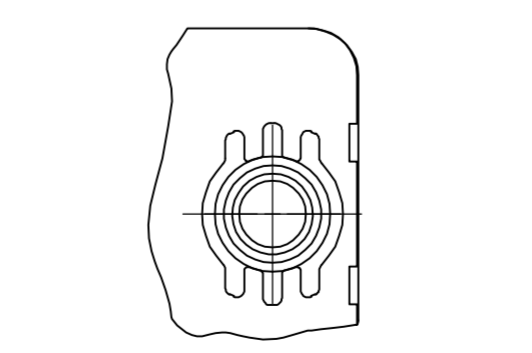
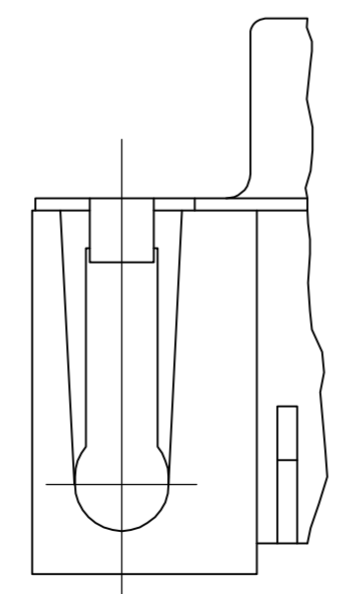
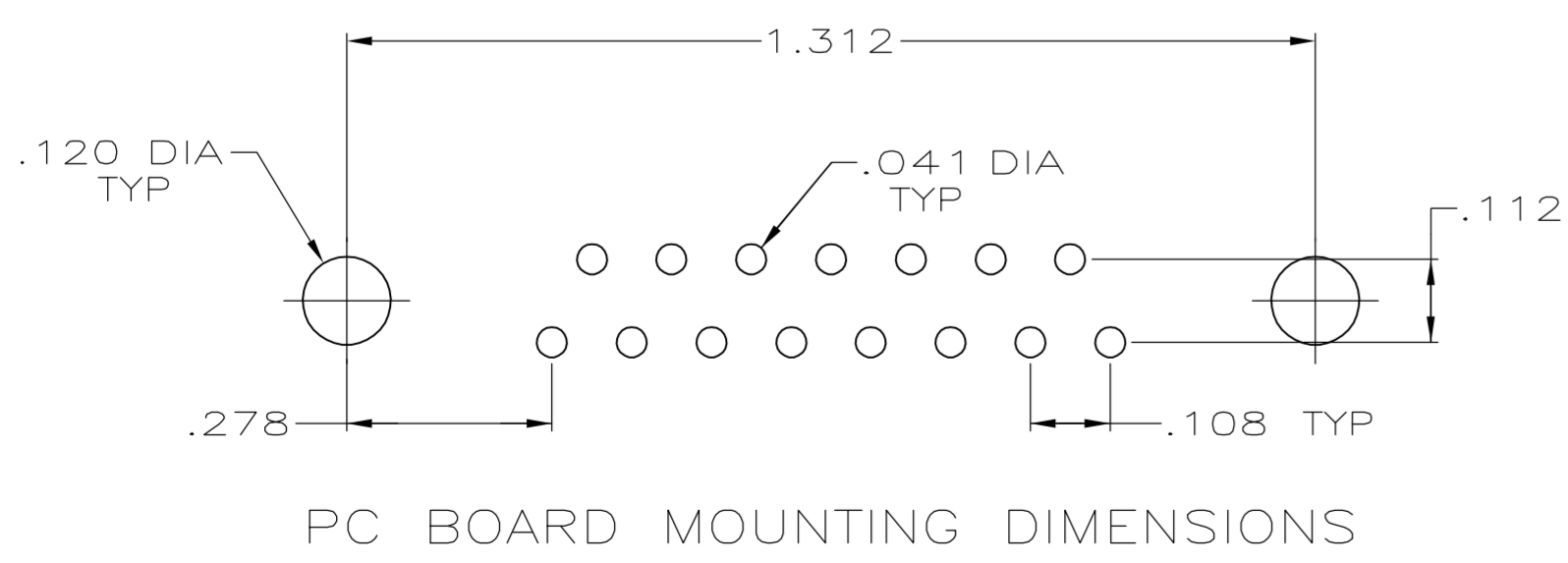
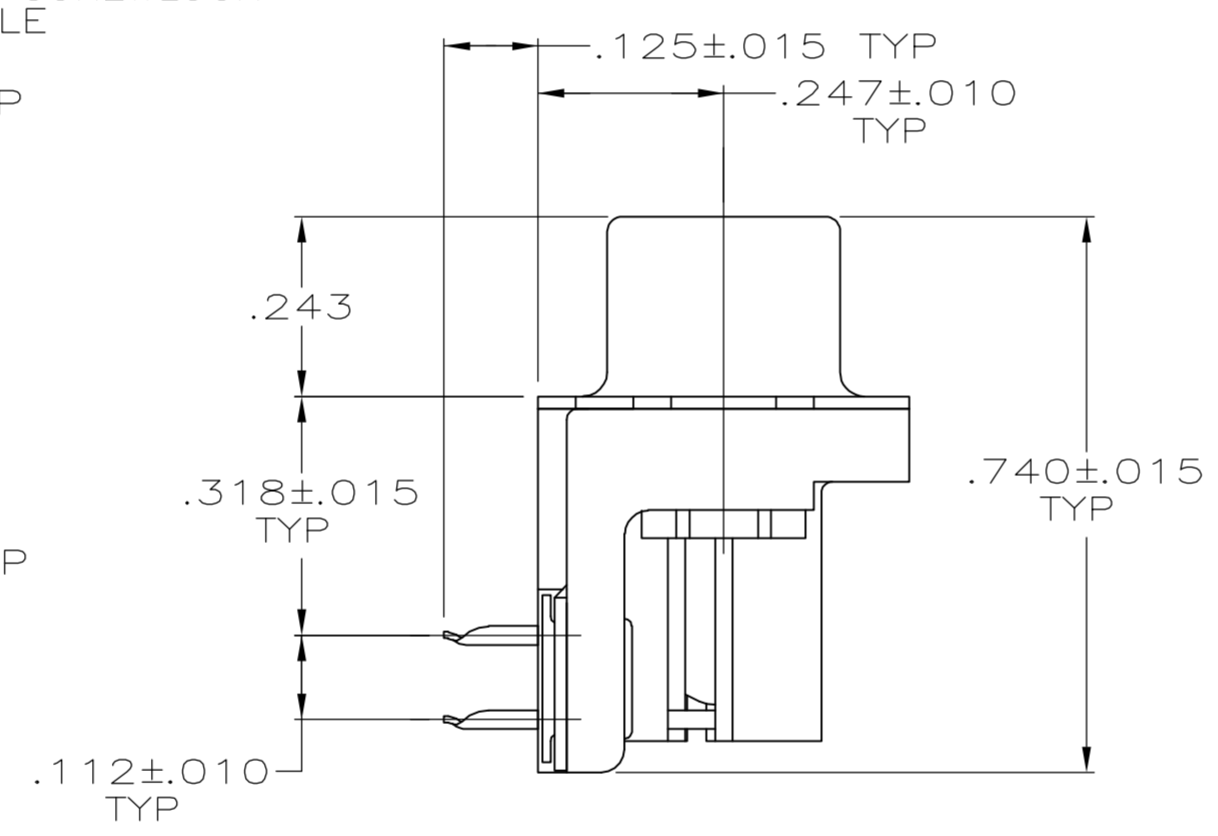
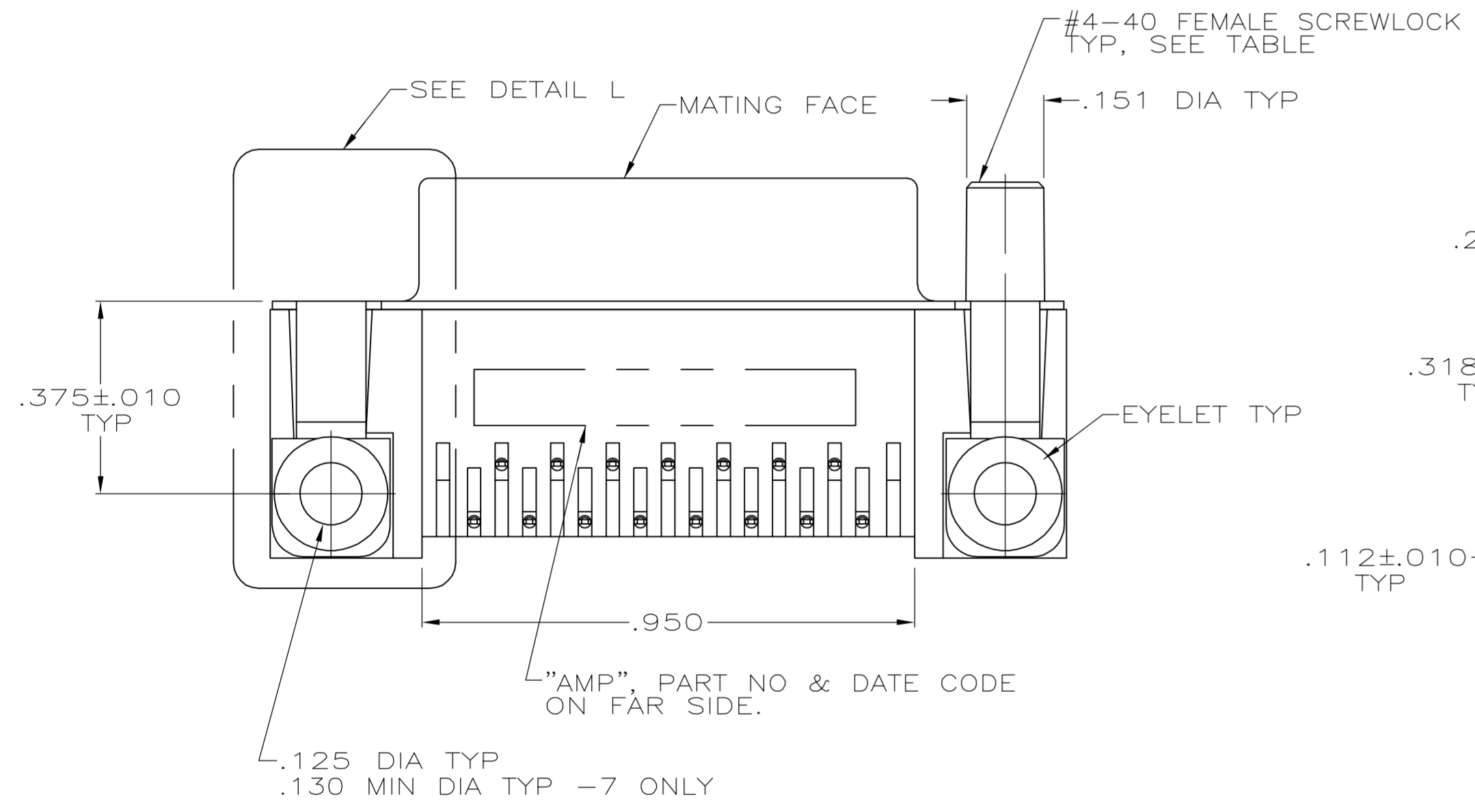


- CONNECTOR MATES WITH ANY 15 POSN PLUG IN AMPLIMITE™ SERIES & COMPLIES WITH AMP SPEC 108-40005 WHERE APPLICABLE.
- MOLDED PARTS: FLAME RETARDANT 94V-0 RATED THERMOPLASTIC, BLACK.
SHELL: STEEL PER ASTM A109
CONTACTS: PHOSPHOR BRONZE PER QQ-B-750
EYELETS: BRASS
SCREWLOCKS: ZINC
INSERTS: ZINC
- SHELL: TIN PLATED
CONTACTS: SEE TABLE
EYELETS: TIN PLATED
SCREWLOCKS: CLEAR CHROMATE
INSERTS: CLEAR CHROMATE
- GOLD PLATING PER MIL-G-45204, NICKEL PLATING PER QQ-N-290, TIN PER MIL-T-10727.
- GOLD FLASH FOR A DISTANCE OF .100 MIN FROM MATING END, TIN PLATED .000100-.000200 ON OPPOSITE END, ALL OVER .000050 NICKEL.
- .000030 GOLD FOR A DISTANCE OF .100 MIN FROM MATING END, TIN PLATED .000100-.000200 ON OPPOSITE END, ALL OVER .000050 NICKEL.
- .000015 MIN GOLD FOR A DISTANCE OF .100 MIN FROM MATING END, TIN PLATED .000100-.000200 ON OPPOSITE END, ALL OVER .000030 NICKEL.
- SCREWLOCKS REQUIRED FOR 1--5 CONNECTOR ASSEMBLIES WILL BE BULK PACKED & SHIPPED WITH CONNECTORS.



SUPSD BY	TUBE	INSERTS	SCREWLOCKS	STRAPS	CONTACT FINISH	PART NUMBER
SUPSD BY 745782-2		NONE		GROUNDING STRAPS	5	1-745782-6
	OBSOLETE	THREADED INSERTS		GROUNDING STRAPS	6	1-745782-5
	OBSOLETE	FEMALE SCREWLOCKS		CLINCH TABS (SEE DETAIL L)	6	1-745782-4
	OBSOLETE	FEMALE SCREWLOCKS		CLINCH TABS (SEE DETAIL L)	5	1-745782-3
	OBSOLETE	THREADED INSERTS		CLINCH TABS (SEE DETAIL L)	6	1-745782-2
SUPSD BY 1-745782-2		THREADED INSERTS		CLINCH TABS (SEE DETAIL L)	5	1-745782-1
	OBSOLETE	.125 DIA HOLE		CLINCH TABS (SEE DETAIL L)	6	1-745782-0
	OBSOLETE	.125 DIA HOLE		CLINCH TABS (SEE DETAIL L)	5	745782-9
	OBSOLETE	NONE		GROUNDING STRAPS	7	745782-8
	OBSOLETE	FEMALE SCREWLOCKS		GROUNDING STRAPS	7	745782-7
	OBSOLETE	FEMALE SCREWLOCKS		GROUNDING STRAPS	6	745782-6
SUPSD BY 745782-6		FEMALE SCREWLOCKS		GROUNDING STRAPS	5	745782-5
		THREADED INSERTS		GROUNDING STRAPS	6	745782-4
SUPSD BY 745782-4		THREADED INSERTS		GROUNDING STRAPS	5	745782-3
	OBSOLETE	NONE		GROUNDING STRAPS	6	745782-2
SUPSD BY 745782-2	TRAYS	NONE		GROUNDING STRAPS	5	745782-1
	PACKAGING	MOUNTING HARDWARE		SHELL VERSION		

THIS DRAWING IS A CONTROLLED DOCUMENT.

DIMENSIONS: INCHES	TOLERANCES UNLESS OTHERWISE SPECIFIED:	0 PLC ± .005	1 PLC ± .005	2 PLC ± .005	3 PLC ± .005	4 PLC ± .005	ANGLES ± .005	FINISH
		APVD: J. GALLUCCI 1-23-91		CHK: R. STONE 4-26-91		Tyco Electronics Corporation Harrisburg, PA 17105-3608		
		PRODUCT SPEC: 108-40025		APPLICATION SPEC: 114-40010		NAME: RCPT ASSY, SIZE 2, 15 POSN, RTANG, AMPLIMITE HD-20, WITH METAL SHELL, WITH OR WITHOUT SCREWLOCKS OR INSERTS SIZE: A1 CAGE CODE: 00779 DRAWING NO: 745782 RESTRICTED TO:		
		MATERIAL: 3		WEIGHT: -		CUSTOMER DRAWING		

SCALE: 4:1 SHEET 1 OF 1 REV AB