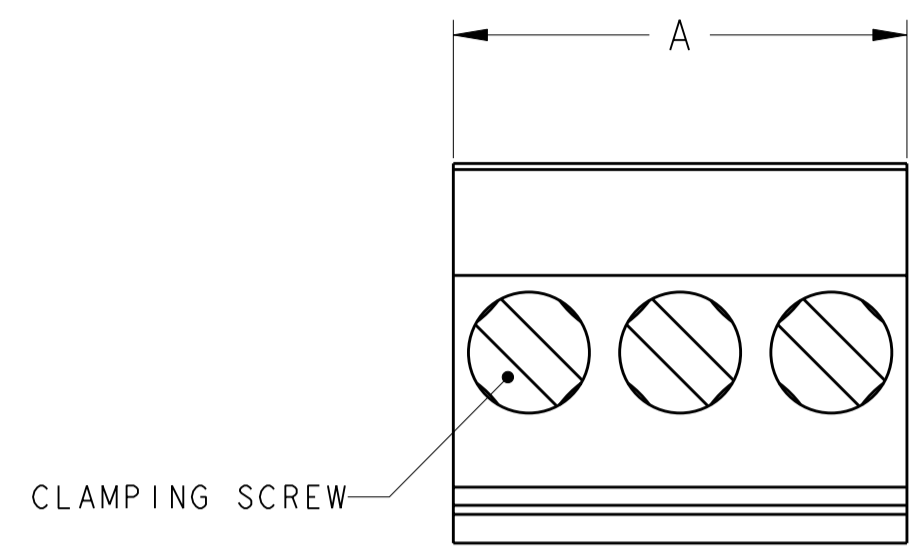
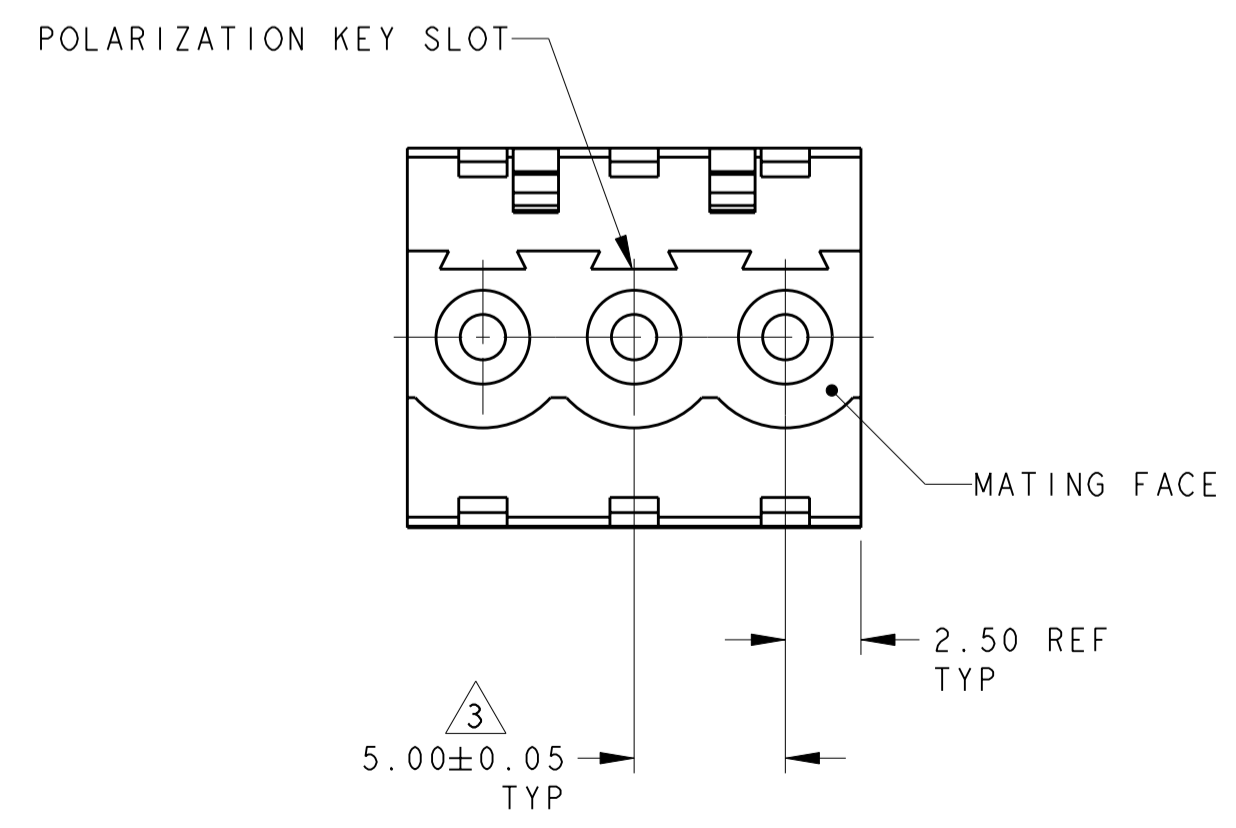
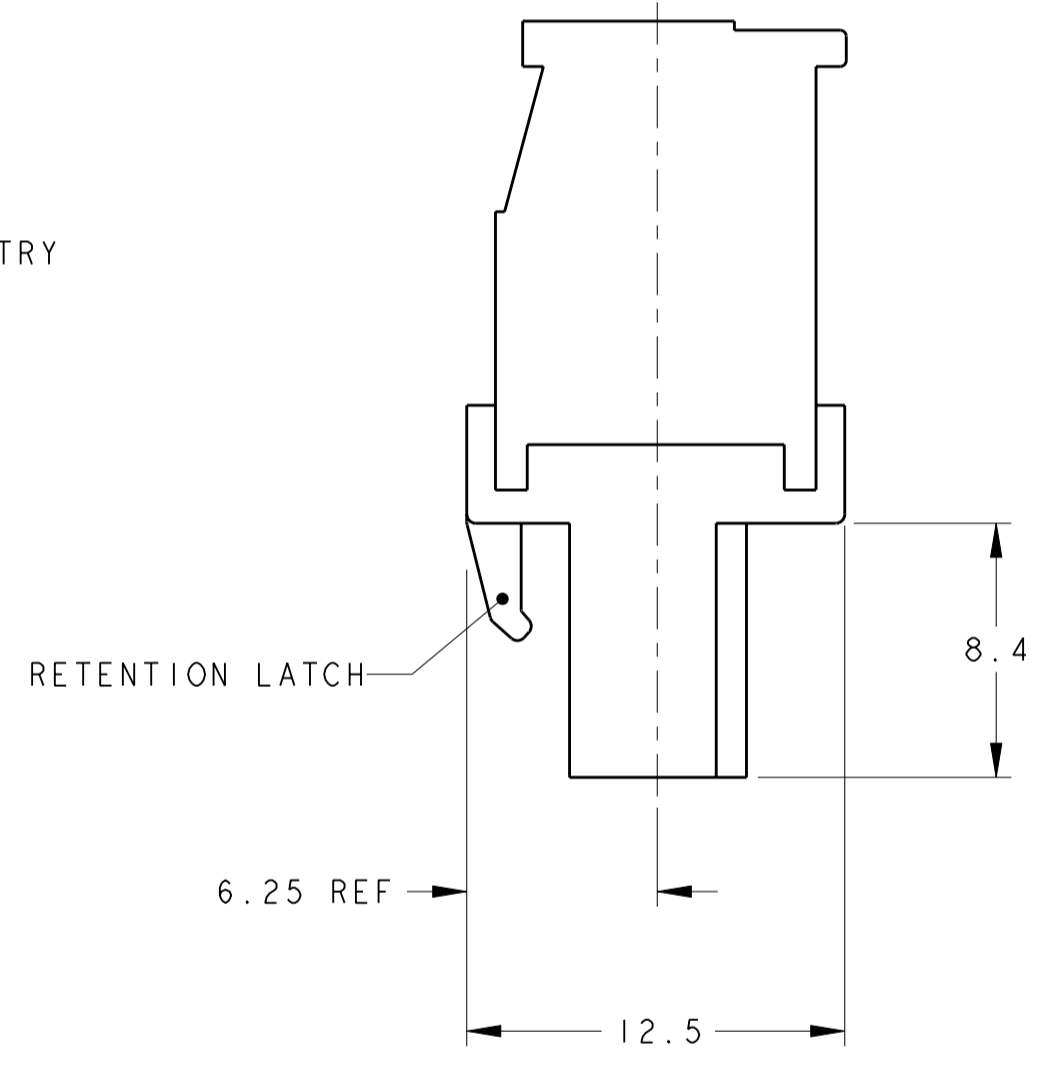
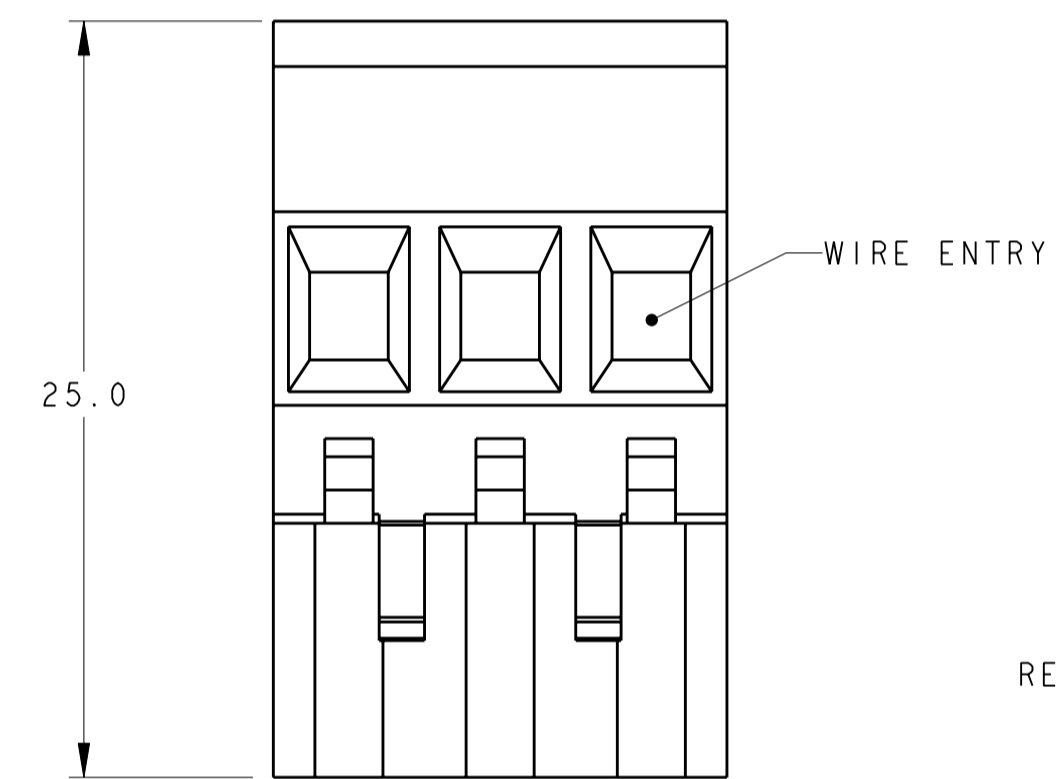


THIS DRAWING IS UNPUBLISHED. RELEASED FOR PUBLICATION 20
 © COPYRIGHT 20 BY TYCO ELECTRONICS CORPORATION. ALL RIGHTS RESERVED.

LOC	DIST	REVISIONS					
FT	0	P	LTR	DESCRIPTION	DATE	DWN	APVD
		O		RELEASED EC 063B-0887-03	12NOV2003	SW	CR
		A		REVISED PER ECO-08-001987	23JAN2008	SS	CR
		AI		REVISED PER ECO-08-021097	26AUG2008	HMR	CR



- 1 MATERIALS AND FINISH
 HOUSING: PA 6-6, UL 94-V0, COLOR: GRAY.
 CLAMP: BRASS, NICKEL PLATED.
 CONTACT SPRING : PHOSPHOR BRONZE, TIN PLATED.
 CLAMPING SCREW: M3, BRASS, NICKEL PLATED.
- 2. WIRE SIZE RANGE: 12-30 AWG
- 3 NOT CUMULATIVE TOLERANCE.
- 4 INK MARKING, COLOR: BLACK.

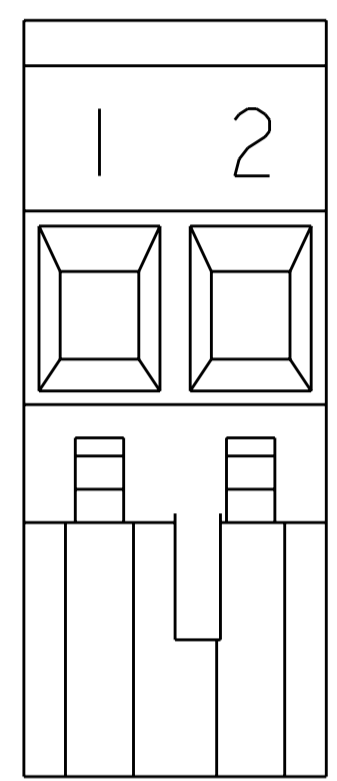


SEE DETAIL K	15.0	3	2-1546857-7
SEE DETAIL J	10.0	2	2-1546857-6
-	125.0	25	2-1546857-5
-	120.0	24	2-1546857-4
-	115.0	23	2-1546857-3
-	110.0	22	2-1546857-2
-	105.0	21	2-1546857-1
-	100.0	20	2-1546857-0
-	95.0	19	1-1546857-9
-	90.0	18	1-1546857-8
-	85.0	17	1-1546857-7
-	80.0	16	1-1546857-6
-	75.0	15	1-1546857-5
-	70.0	14	1-1546857-4
-	65.0	13	1-1546857-3
-	60.0	12	1-1546857-2
-	55.0	11	1-1546857-1
-	50.0	10	1-1546857-0
-	45.0	9	1546857-9
-	40.0	8	1546857-8
-	35.0	7	1546857-7
-	30.0	6	1546857-6
-	25.0	5	1546857-5
-	20.0	4	1546857-4
-	15.0	3	1546857-3
-	10.0	2	1546857-2

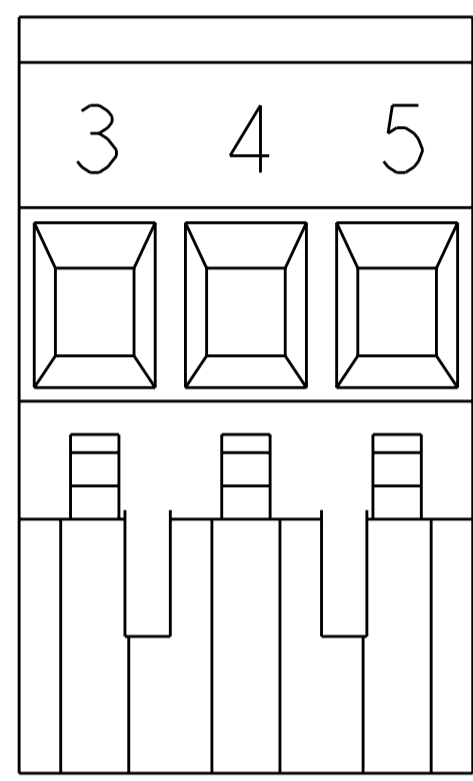
THIS DRAWING IS A CONTROLLED DOCUMENT FOR TYCO ELECTRONICS CORPORATION IT IS SUBJECT TO CHANGE AND THE CONTROLLING ENGINEERING ORGANIZATION SHOULD BE CONTACTED FOR THE LATEST REVISION.		DWN S.WELDON 12NOV2003 CHK C.RICHARD 12NOV2003 APVD C.RICHARD 12NOV2003	Tyco Electronics Harrisburg, PA 17105-3608
DIMENSIONS: mm 	TOLERANCES UNLESS OTHERWISE SPECIFIED: 0 PLC ±- 1 PLC ±.3 2 PLC ±.25 3 PLC ±- 4 PLC ±- ANGLES ±2 FINISH	PRODUCT SPEC - APPLICATION SPEC - WEIGHT -	NAME TERMINAL BLOCK, VERTICAL PLUG, STACKING, RIGHT HAND, 5.00mm PITCH
MATERIAL		SIZE A2 CAGE CODE 00779 DRAWING NO C-1546857	RESTRICTED TO -
CUSTOMER DRAWING		SCALE 4:1	SHEET 1 OF 2 REV AI

THIS DRAWING IS UNPUBLISHED. RELEASED FOR PUBLICATION 20
 © COPYRIGHT 20 BY TYCO ELECTRONICS CORPORATION. ALL RIGHTS RESERVED.

LOC	DIST	REVISIONS			
P	LTR	DESCRIPTION	DATE	DWN	APVD
FT	0	-	SEE SHEET 1	-	-



△
DETAIL J



△
DETAIL K

<small>THIS DRAWING IS A CONTROLLED DOCUMENT FOR TYCO ELECTRONICS CORPORATION IT IS SUBJECT TO CHANGE AND THE CONTROLLING ENGINEERING ORGANIZATION SHOULD BE CONTACTED FOR THE LATEST REVISION.</small>		DWN S. WELDON 12NOV2003 CHK C. RICHARD 12NOV2003 APVD C. RICHARD 12NOV2003	Tyco Electronics Tyco Electronics Harrisburg, PA 17105-3608
DIMENSIONS: mm	TOLERANCES UNLESS OTHERWISE SPECIFIED: 0 PLC ±- 1 PLC ±.3 2 PLC ±.25 3 PLC ±- 4 PLC ±- ANGLES ±2 FINISH	PRODUCT SPEC APPLICATION SPEC WEIGHT -	NAME TERMINAL BLOCK, VERTICAL PLUG, STACKING, RIGHT HAND, 5.00mm PITCH
MATERIAL -	CUSTOMER DRAWING	SIZE A2 CAGE CODE 00779 DRAWING NO. C-1546857	RESTRICTED TO -
		SCALE 4:1	SHEET 2 OF 2 REV A1