

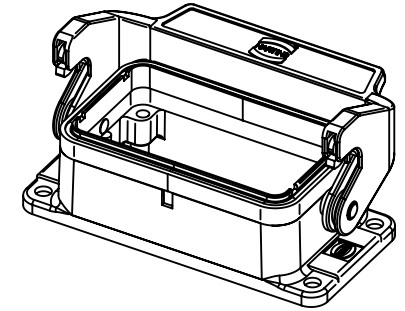
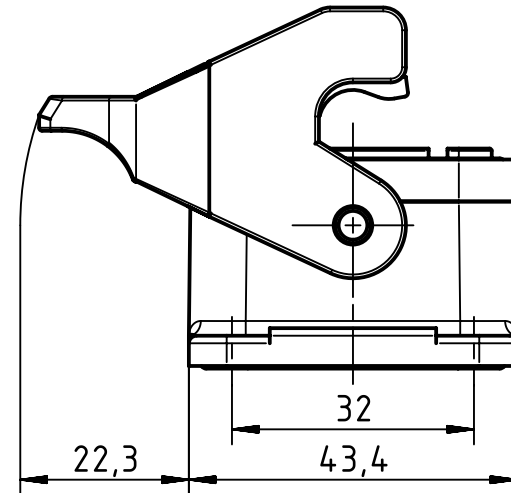
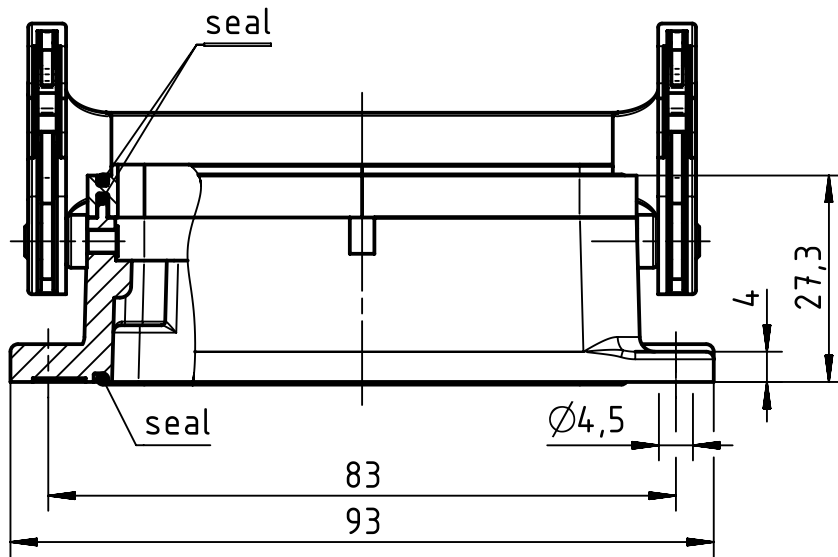
1 2 3 4 5 6

A

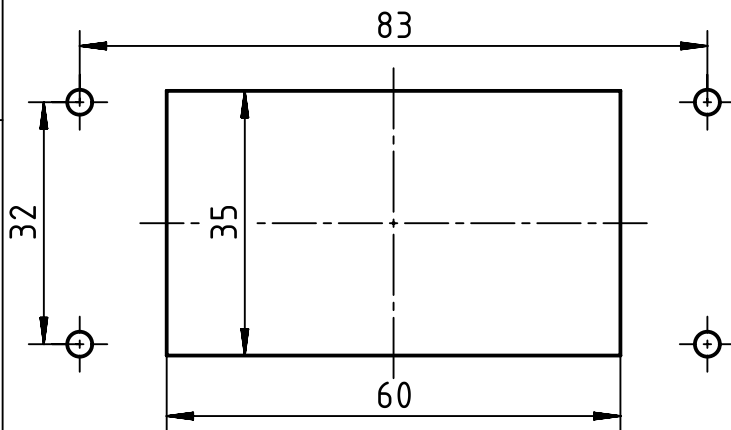
B


C

D



panel cut out



	All rights reserved Department EL PD - DE	All Dimensions in mm Original Size DIN A4		Scale 1:1	Free size tol.	Ref.
		Created by PRIESTER	Inspected by SCHNIEDER	Standardisation SCHMIDTM	Date 2014-04-16	State Final Release
HARTING Electric GmbH & Co. KG D-32339 Espelkamp		Title Han EMC/B 10 Base Panel			Doc-Key / ECM-Nr. 100181462/UGD/005/A 500000073865	
		Type TB	Number 09 62 810 0305		Rev. A	Page 1/1