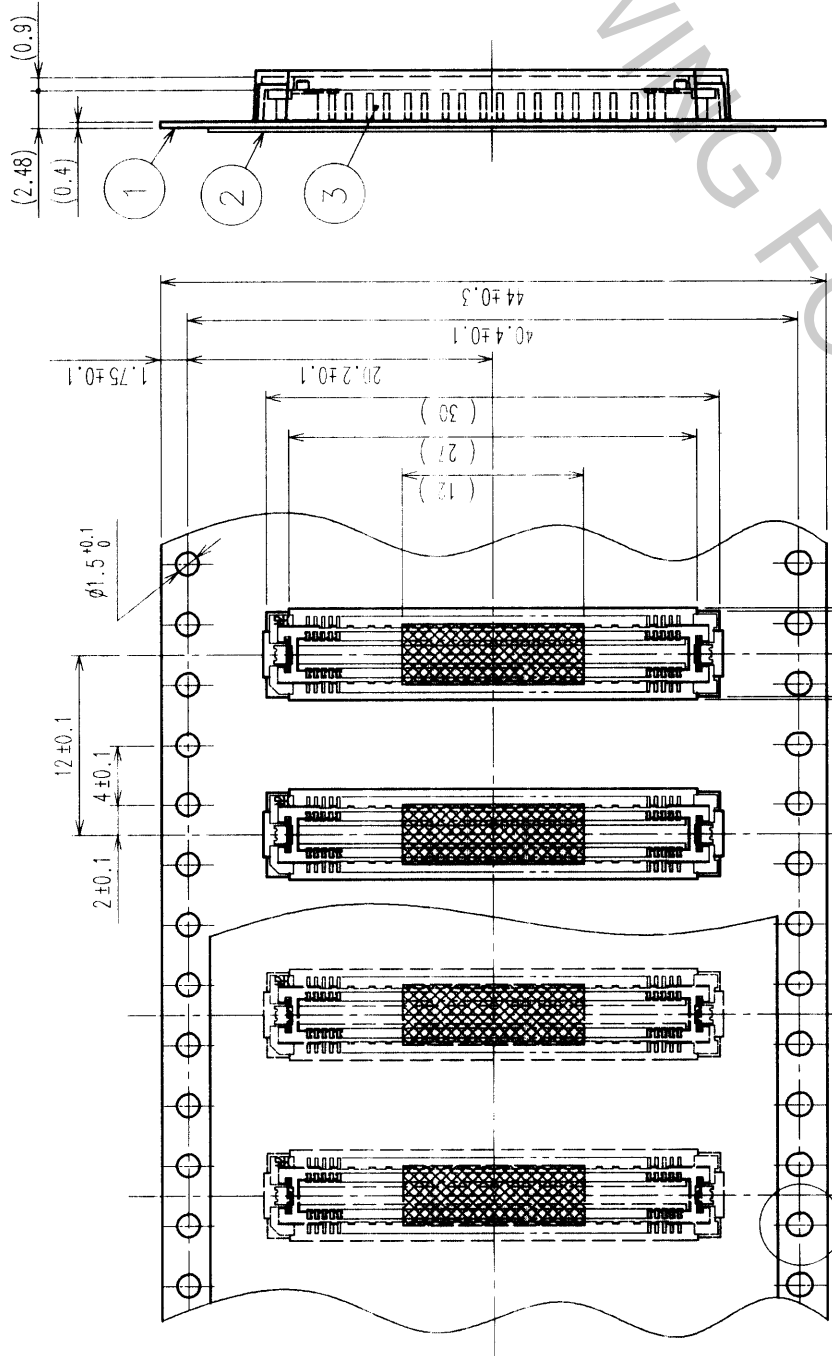


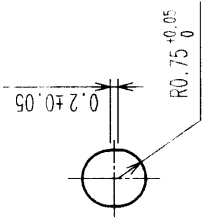
COUNT	DESCRIPTION OF REVISIONS	BY	CHKD	DATE	COUNT	DESCRIPTION OF REVISIONS	BY	CHKD	DATE
△					△				
△					△				
△					△				

REELED DIMENSION (FREE)

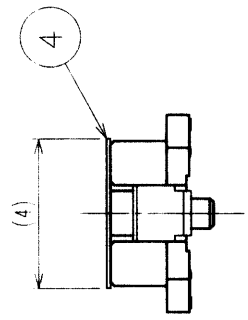


THE DIRECTION OF PULLING OUT

A (5:1)



DETAIL FOR VACUUM PICKUP (5:1)



- NOTES 1 REEL: 1000 CONNECTORS.
- 2 MINIMUM 10 COMPARTMENTS FROM BOTH REEL ENDS REMAIN EMPTY.
- 3 THIS PRODUCT HAS NO POLARITY TO TAPE AND REEL PACKAGING.

2	PET	TOP COVER TAPE	4	POLYIMIDE	(TAPE FOR VACUUM PICKUP)
1	PS	EMBOSSED CARRIER TAPE	3	(CONNECTOR)	
NO.	MATERIAL	FINISH, REMARKS	NO.	MATERIAL	FINISH, REMARKS
CODE NO. (OLD) CL					
DRAWING FOR PACKING					
DRAWN J. MATSUKAWA		DESIGNED J. MATSUKAWA		CHECKED M. ISHIDA	APPROVED Y. YOSHIMURA
00 01 15		00 01 15		00 01 17	00 01 17
DRAWING NO. EDC3-152606-02			PART NO. FX11A-100P-SV(22)		
SCALE 2 : 1			CODE NO. CL573-0543-7-22		
UNITS mm			HIROSE ELECTRIC CO., LTD.		

TO	
PCK	