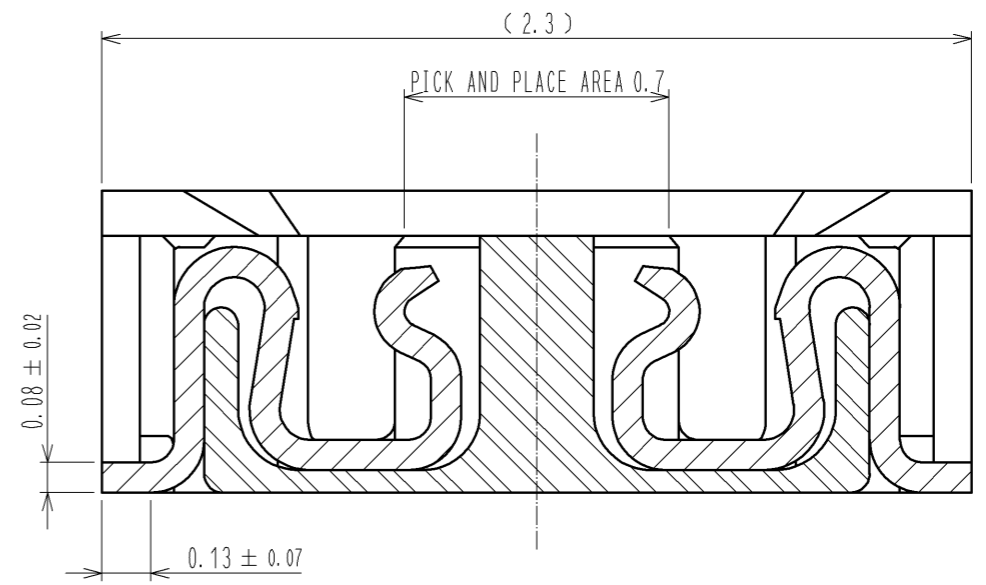
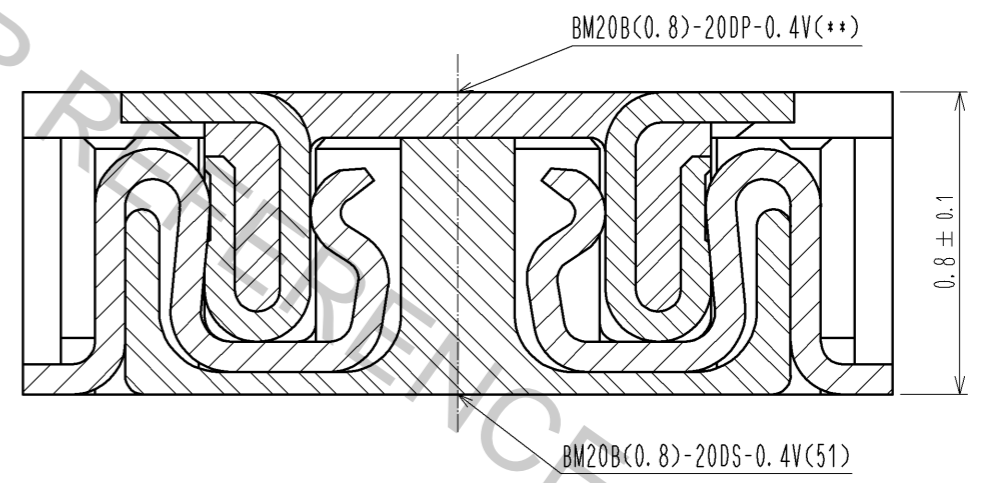


A-A(50:1)



ENGAGEMENT FIGURE (50:1)



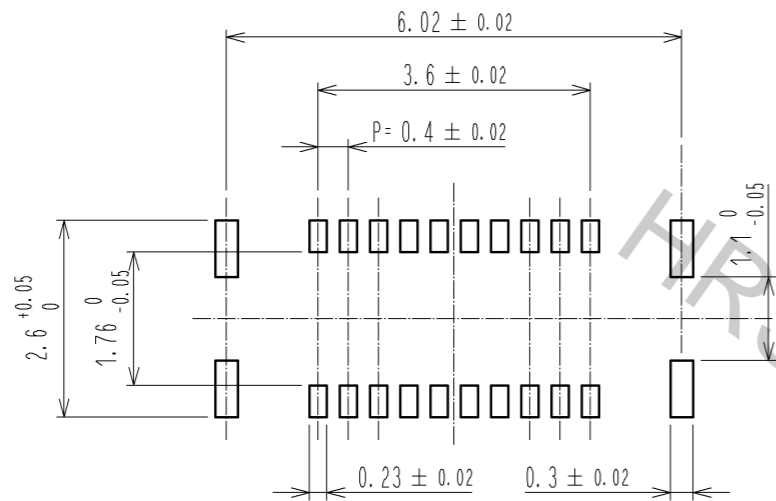
- NOTE 1 . ALL LEAD CO-PLANARITY SHALL BE 0.08mm MAX
- 2 CONTACT PLATING SPECIFICATIONS  
 CONTACT AREA : GOLD 0.05 μm MIN  
 SMT LEAD : GOLD 0.05 μm MIN  
 UNDERPLATING : NICKEL 1 μm MIN  
 ( SURFACE : SEALING )
- 3 METAL FITTING PLATING SPECIFICATIONS  
 SMT LEAD : GOLD 0.05 μm MIN  
 UNDERPLATING : NICKEL 1 μm MIN  
 ( SURFACE : SEALING )
- 4 HRS MARK AND CAV NO. ARE INDICATED IN APPROX POSITION SHOWN.
- 5 GATE POSITION IS INDICATED IN APPROX POSITION SHOWN.

NO.	MATERIAL	FINISH	REMARKS	NO.	MATERIAL	FINISH	REMARKS
4	PS	CLEAR	(EMBOSSED CARRIER TAPE)	7	PS	CLEAR	(REINFORCEMENT COLLAR)
3	BRASS			6	PS	BLACK	(PLASTIC REEL)
2	PHOSPHOR BRONZE			5	POLYESTER	CLEAR	(COVER TAPE)
1	LCP	UL94 V-0, BLACK					

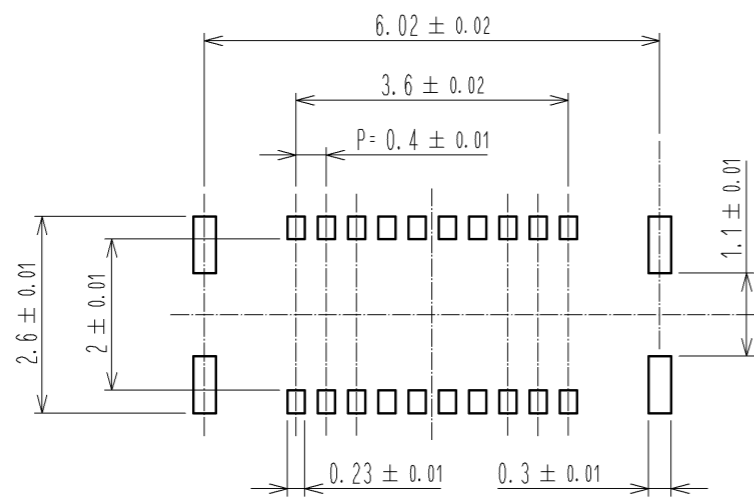
UNITS	SCALE	COUNT	DESCRIPTION OF REVISIONS	DESIGNED	CHECKED	DATE
mm	10:1	△				
APPROVED : KH. IKEDA			12.03.02	DRAWING NO. EDC3-332315-01		
CHECKED : TS. MIYAZAKI			12.03.02	PART NO. BM20B(0.8)-20DS-0.4V(51)		
DESIGNED : YK. SATAKE			12.03.02	CODE NO. CL684-9009-7-51		
DRAWN : KR. AJITO			11.11.02	1/3		

◆ RECOMMENDED PCB LAYOUT

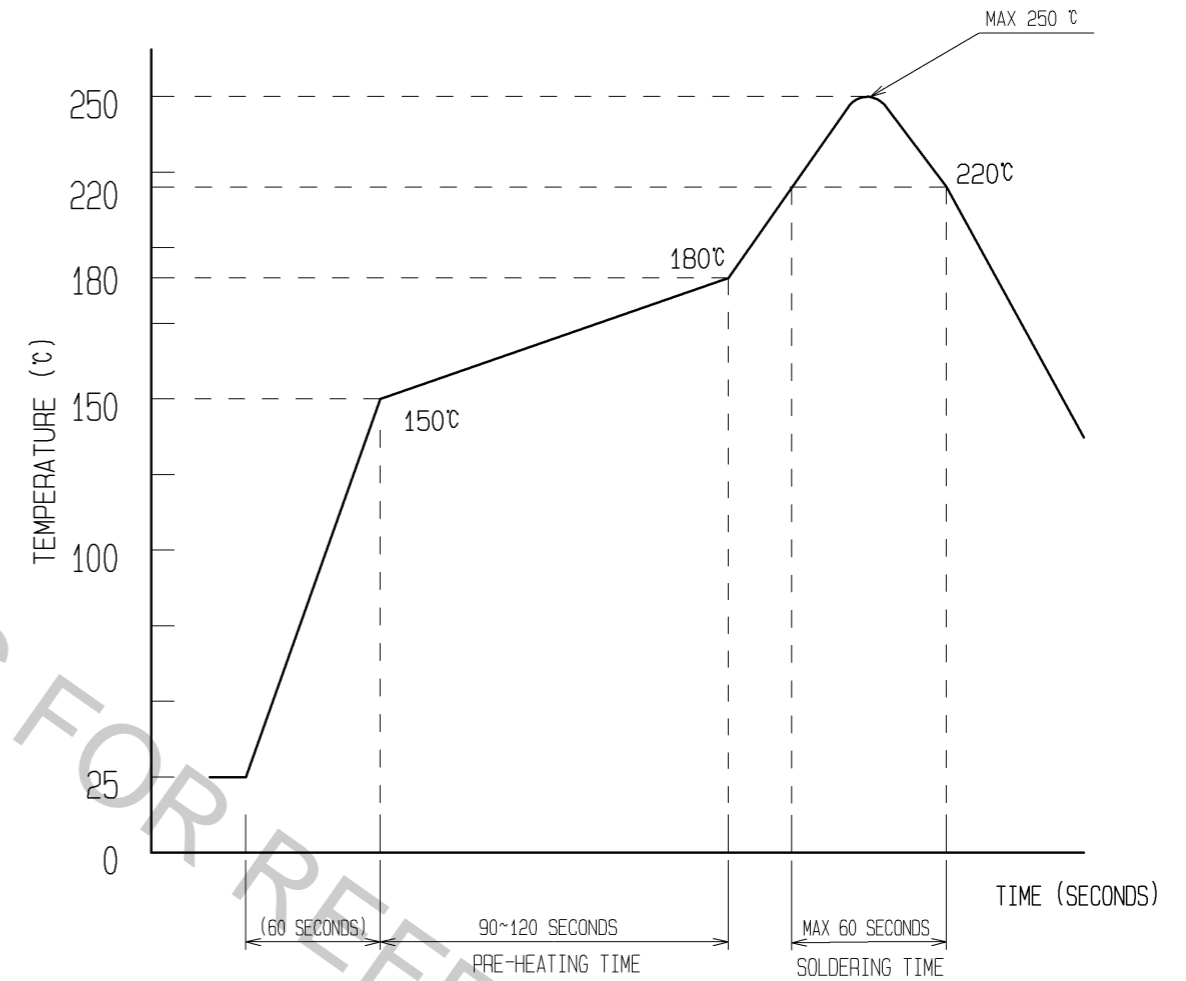


◆ RECOMMENDED METAL MASK DIMENSIONS

MATAL MASK THICKNESS : 100 μm



6 RECOMMENDED REFLOW TEMPERATURE PROFILE USING LEAD-FREE SOLDER PASTE.

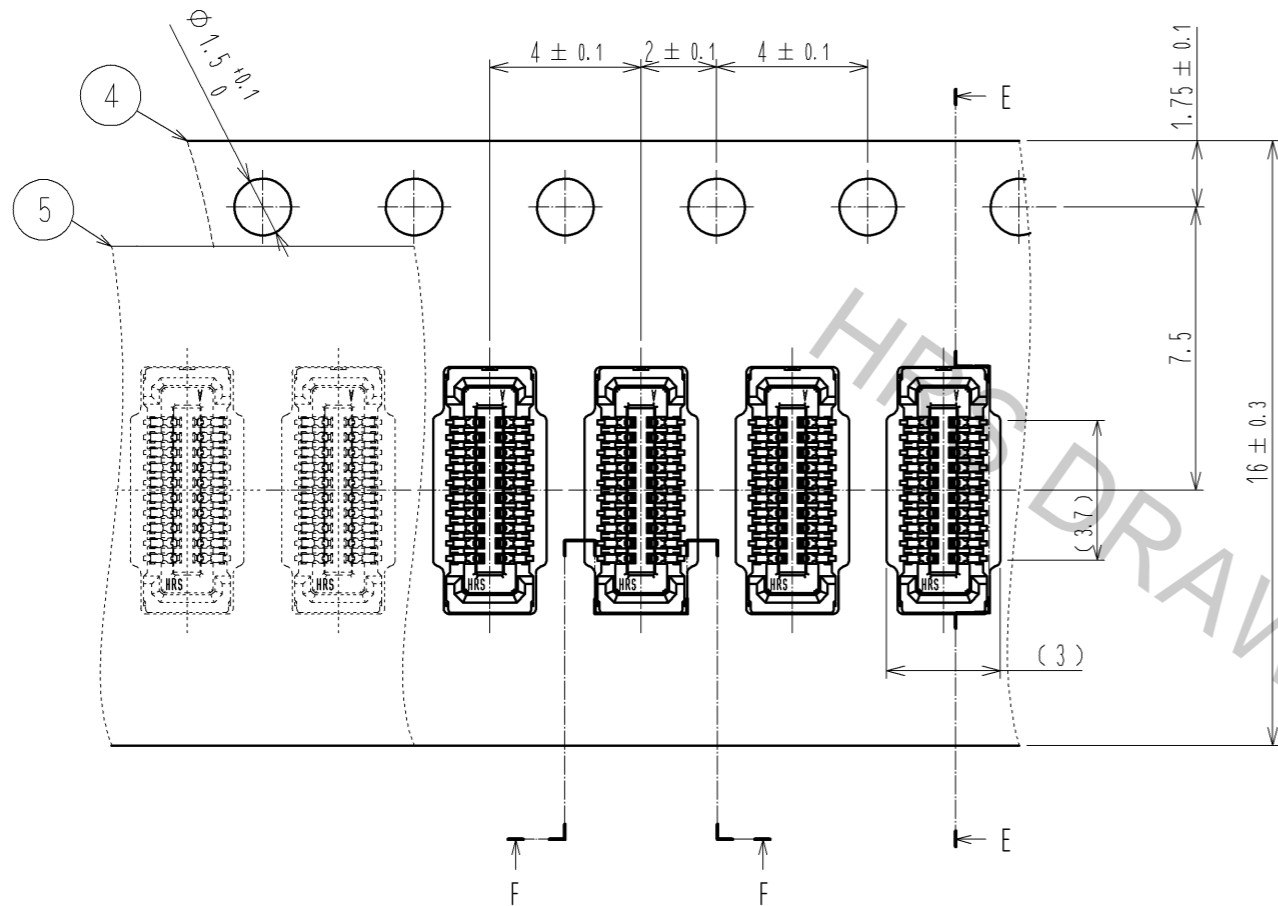


- REFLOW METHOD : IR REFLOW  
 NUMBER OF REFLOW CYCLES : 2 CYCLES MAX.  
 1) REFLOW TIME  
 DURATION ABOVE 220°C, 60 SEC MAX.  
 (PEAK TEMPERATURE : 250°C MAX)  
 2) PRE-HEAT TIME  
 PRE-HEAT TEMPERATURE(MIN): 150°C  
 PRE-HEAT TEMPERATURE(MAX): 180°C  
 PRE-HEAT TIME: 90-120 SEC.

6 THE TEMPERATURE PROFILE IS PER THE CONDITIONS SHOWN ABOVE. ADDITIONAL FACTORS, SUCH AS SOLDER PASTE TYPE, PCB SIZE AND OTHER MOUNTED COMPONENTS COULD AFFECT THE PROFILE. THEREFORE, A THOROUGH EVALUATION OF MOUNTING CONDITION IS REQUIRED PRIOR TO PRODUCTION. TEMPERATURE IS MEASURED AT CONTACT LEAD.

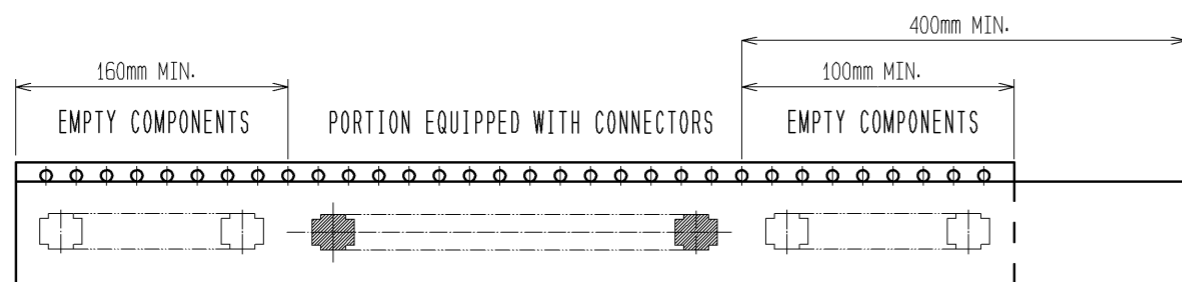
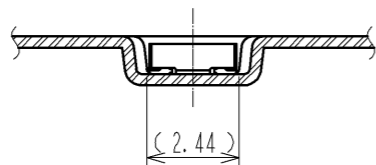
<b>HRS</b>	DRAWING NO.	EDC3-332315-01
	PART NO.	BM20B(0.8)-20DS-0.4V(51)
	CODE NO.	CL684-9009-7-51

EMBOSSED CARRIER TAPE PACKAGING (5:1)



DIRECTION OF UNREELING

F-F (5:1)

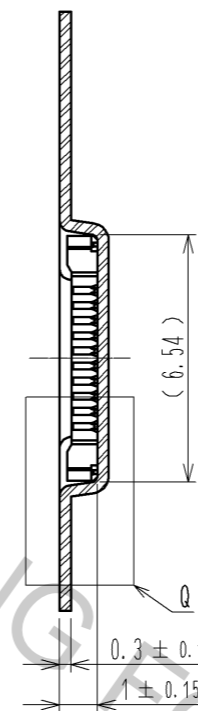


TRAILER

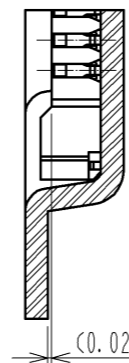
9 TAPING (FREE)

LEADER

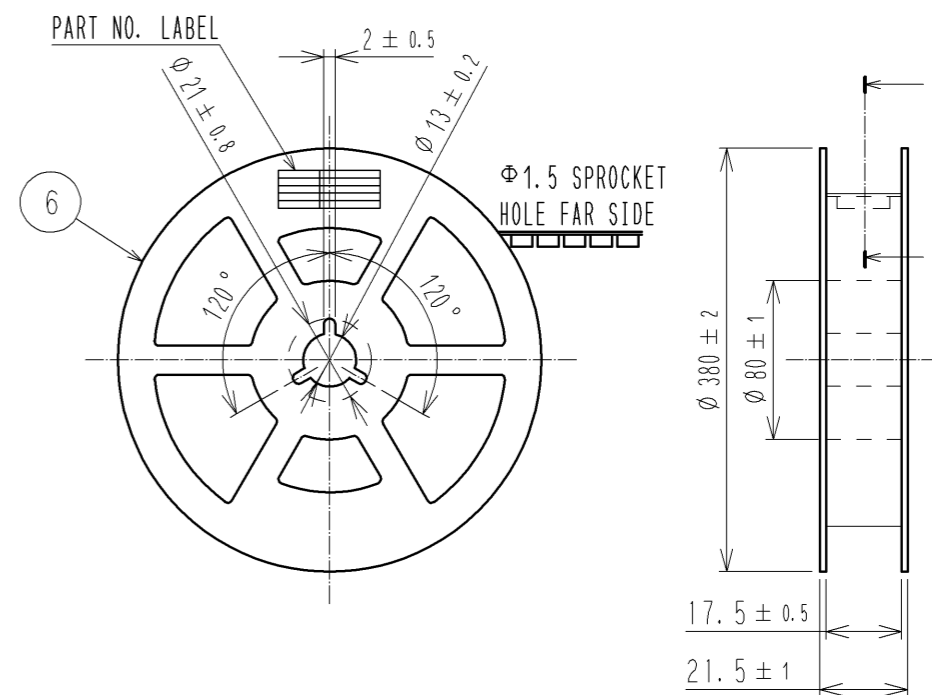
E-E (5:1)



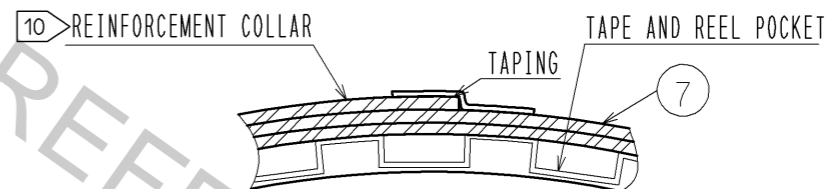
Q(10:1)



STYLE AND DIMENTION OF REEL (FREE)



P-P (FREE)



DETAIL OF PART NO. LABEL

製造年月日	** ** *
製品コード	CL0684-9009-7-(51)
製品名	BM20B(0.8)-20DS-0.4V(51)
数量	8,000
納入者	ヒロセ電機(株)

DATA OF MANUFACTURED  
CODE NO.  
PART NO.  
QUANTITY  
SUPPLIER

7. PER REEL 8000 CONNECTORS.

8. THE DIMENSIONS IN PARENTHESSES ARE FOR REFERENCE.

9 REFER TO JIS C 0806(PACKAGING OF COMPONENTS FOR AUTOMATIC HANDLING)

10 AFTER PACKAGING, ROLL 2 METERS OF THE REINFORCEMENT COLLAR TO OUTER CIRCUMFERENCE OF TAPE AND REEL POCKET. AND TAPE DOWN AT THE END THE COLLAR.

**HRS**

DRAWING NO.	EDC3-332315-01
PART NO.	BM20B(0.8)-20DS-0.4V(51)
CODE NO.	CL684-9009-7-51

3/3