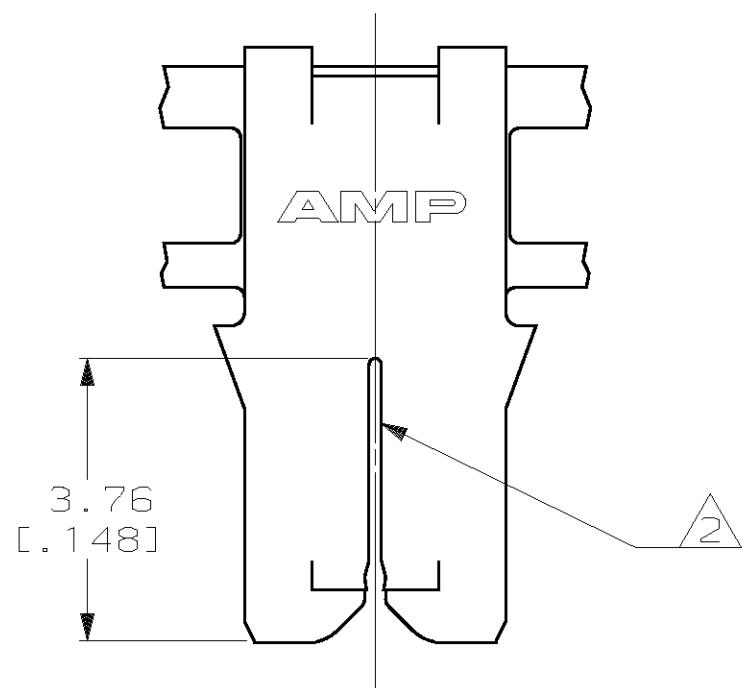
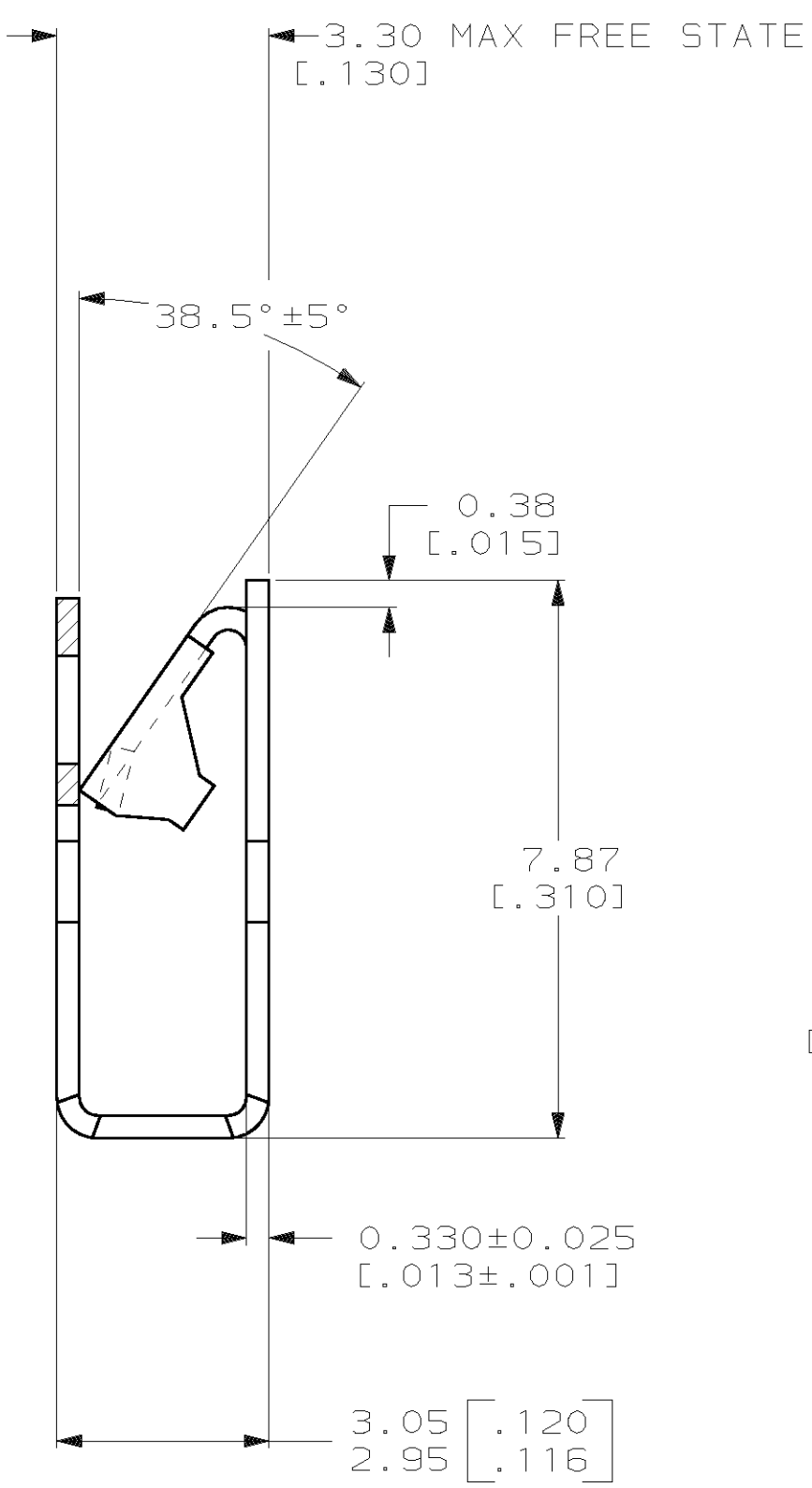
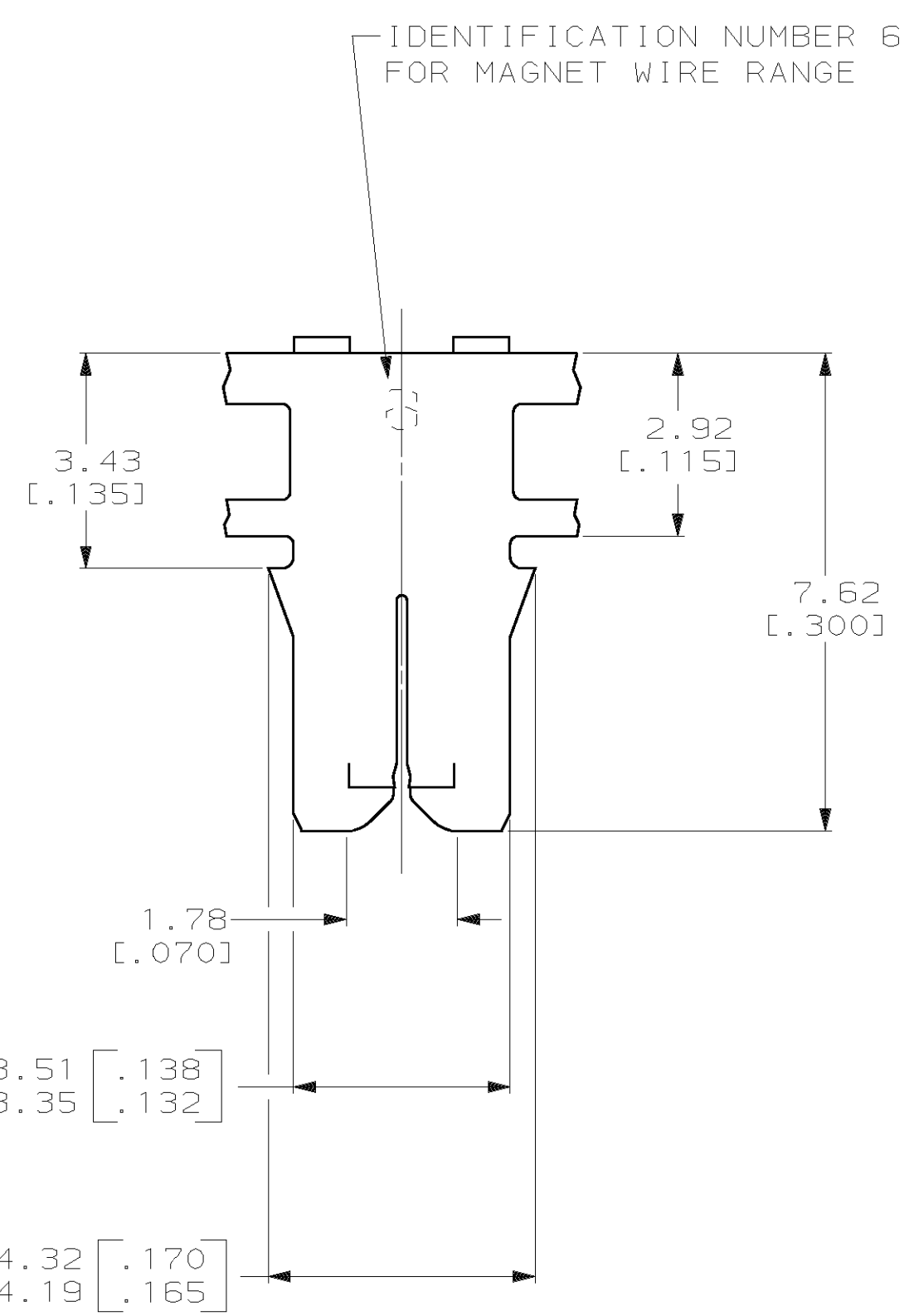
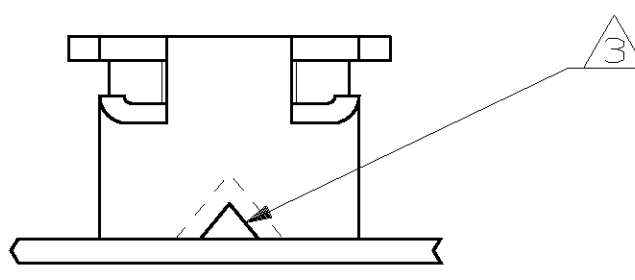


THIS DRAWING IS UNPUBLISHED. RELEASED FOR PUBLICATION
 © COPYRIGHT 19 BY AMP INCORPORATED. ALL INTERNATIONAL RIGHTS RESERVED.

| LOC | | DIST | | REVISIONS | | | |
|------|-----|-------------|------|-----------|-----------------------------|---------|-------|
| ZONE | LTR | DESCRIPTION | DATE | APPD | | | |
| AF | 50 | | | E | REVISE PER ECN 0G1A-0180-99 | 12JUL99 | SW/KR |

- 1 CONTINUOUS STRIP ON REELS WITH TERMINALS LOCATED ON 5.59±0.08 [.220±.003] CENTERS.
- 2 SLOT ACCEPTS 0.25-0.36mm [#30-#27] AWG COPPER MAGNET WIRE. 2 WIRES OF THE SAME SIZE PER SLOT.
- 3 POKE-IN ACCEPTS A 0.50-0.90mm² [#20-#18] AWG SOLID OR FUSED STRANDED LEAD WIRE.
- 4 TERMINAL IS DESIGNED FOR A 1.78 [.070] TO 2.79 [.110] ANVIL HEIGHT.



METRIC

| | | | | | |
|---|--|-------------------------------|--|---|--|
| DO NOT SCALE PRINT. UNLESS SPECIFIED DIMENSIONS IN mm [INCHES] TOLERANCES ON: | | DR 1/9/92 MICHAEL S. FEHER | | AMP Incorporated Harrisburg, PA 17105-3608 | |
| 2 PLC DEC ± 0.25 [.010] | | CHK 1/14/92 JEFF R. RUTH | | | |
| 3 PLC DEC ± - | | APPD 1/14/92 NELSON E. NEFF | | NAME | |
| ANGLES ± - | | APPD 1/14/92 TERRY L. SHUTTER | | TERMINAL, POKE-IN, 300 SERIES MAG-MATE™ | |
| MATERIAL | | PRODUCT SPEC | | SIZE | |
| 4M BRASS | | 108-2012 | | CAGE CODE | |
| FINISH | | APPLICATION SPEC | | DRAWING NO | |
| 0.002032 [.000080] MIN TIN | | 114-2046 4 | | 63636 | |
| WEIGHT - | | SCALE 10:1 | | SHEET 1 OF 1 | |