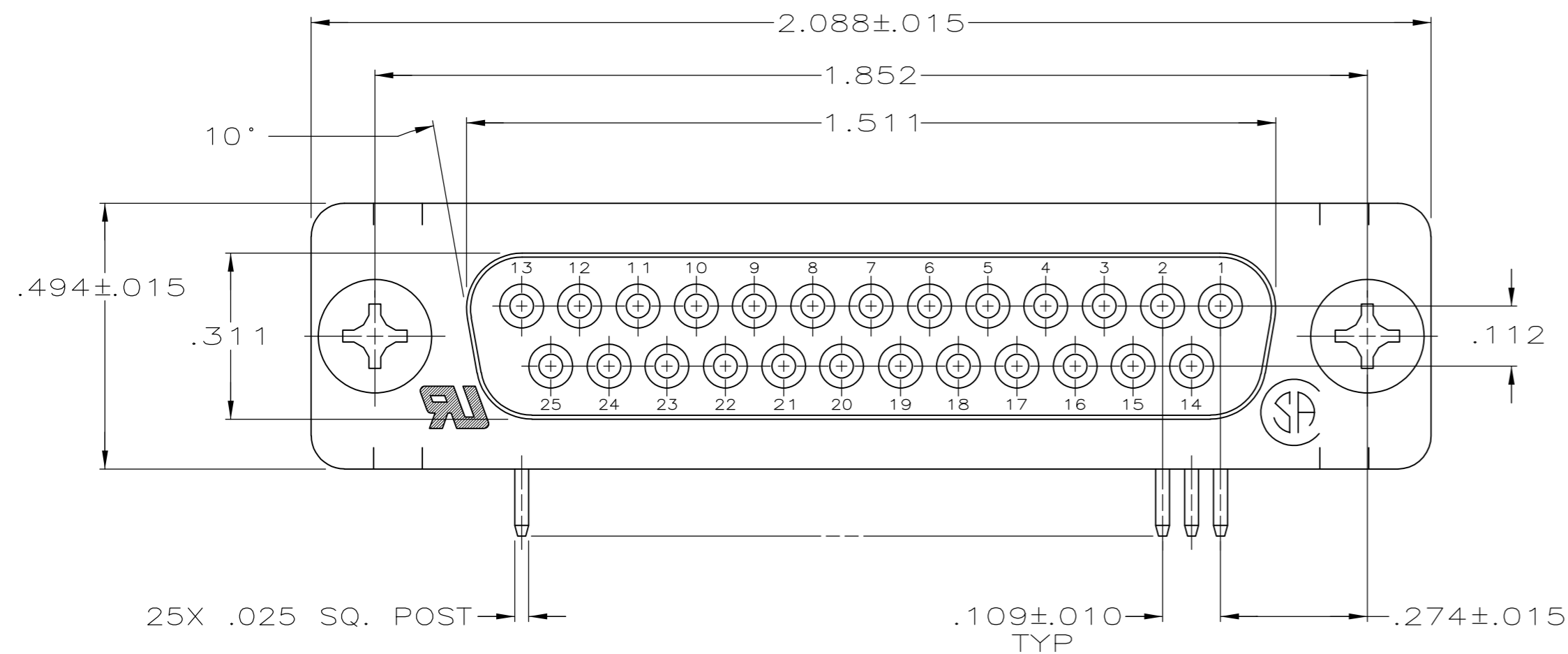
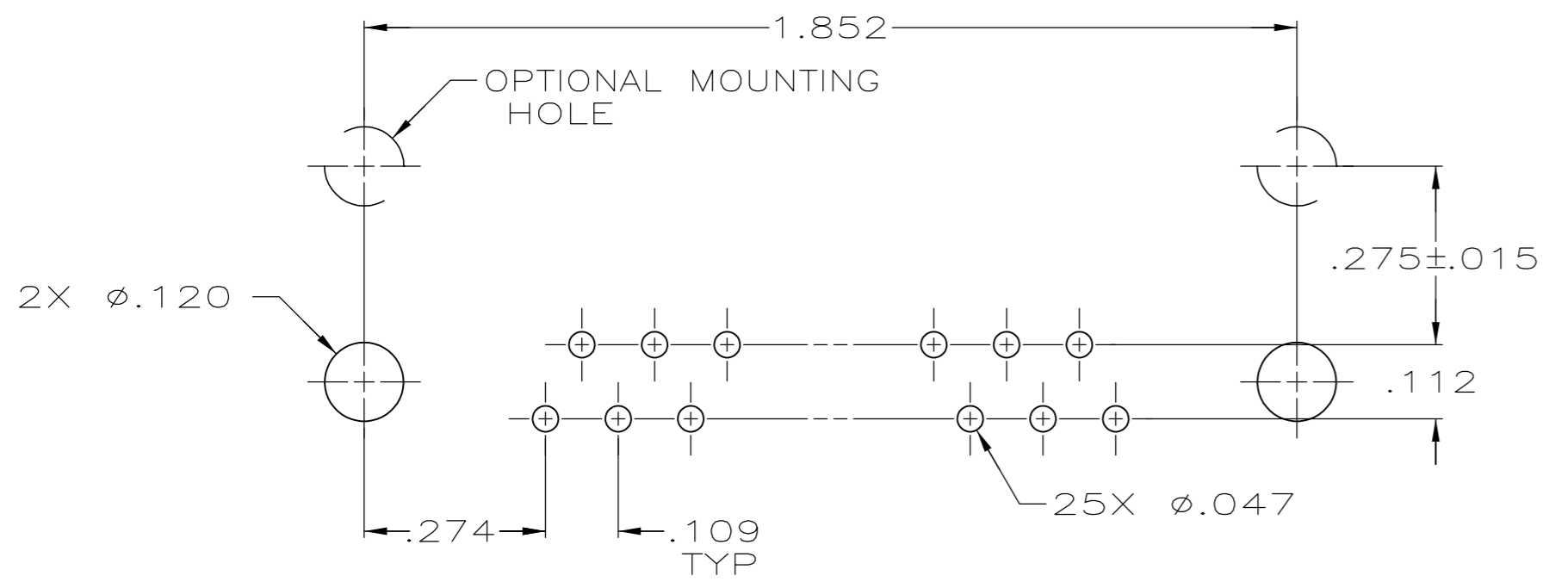
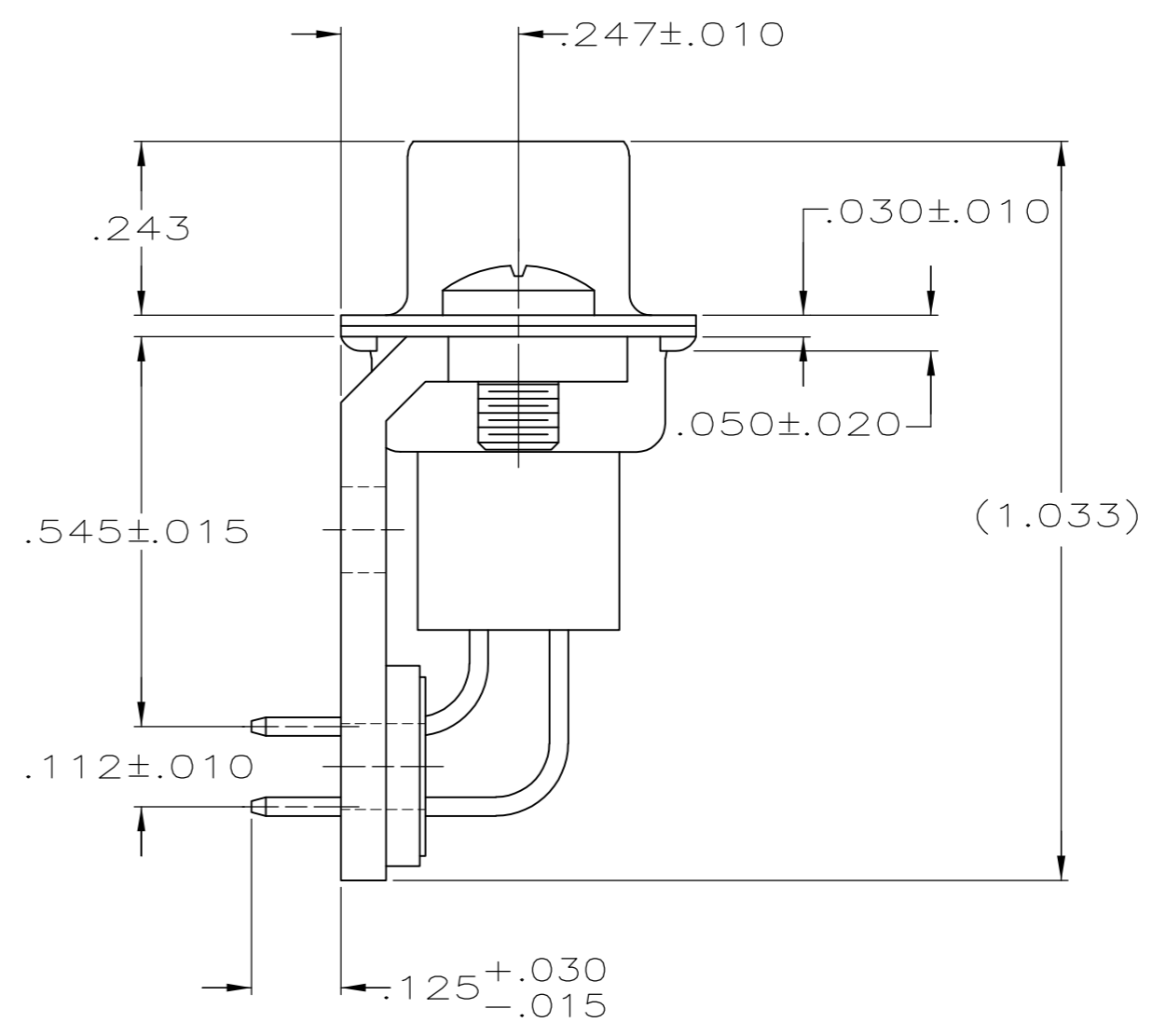
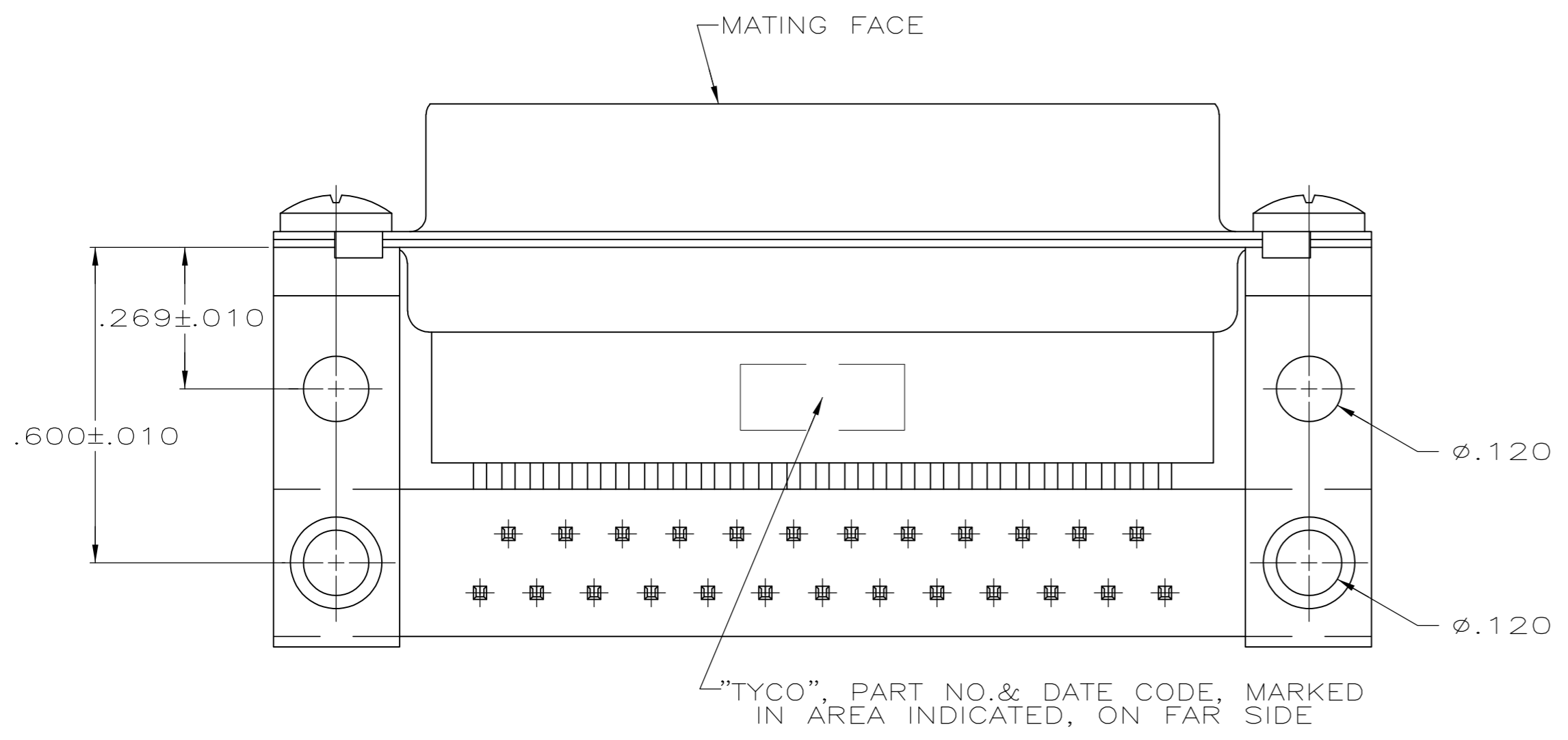


THIS DRAWING IS UNPUBLISHED. RELEASED FOR PUBLICATION
 © COPYRIGHT 2005 By - ALL RIGHTS RESERVED.

LOC		DIST		REVISIONS			
P	LTR	DESCRIPTION	DATE	DWN	APVD		
GP	00	B	REVISED PER ECO-14-011808	11AUG2014	AP	SB	



- 1 MOLDED PARTS: GLASS-FILLED PBT OR GLASS-FILLED NYLON, UL94V-0 RATED. COLOR: BLACK.
SHELLS & BRACKETS: CARBON STEEL.
CONTACTS: PHOSPHOR BRONZE.
- 2 SHELLS: .000200 MIN TIN OVER .000100 MIN COPPER.
BRACKETS: .000200 MIN TIN OVER .000050 MIN COPPER.
CONTACTS: .000030 MIN GOLD FOR A LENGTH OF .100 MIN FROM MATING END, .000100 MIN TIN ON OPPOSITE END, BOTH OVER .000050 MIN NICKEL
-OR-
GOLD FLASH OVER .000030 MIN PALLADIUM NICKEL PLATED FOR LENGTH OF .100 MIN FROM MATING END, .000100 MIN TIN ON OPPOSITE END, BOTH OVER .000050 MIN NICKEL.



P.C. BOARD MOUNTING DIMENSIONS

5745114-2
PART NO.

THIS DRAWING IS A CONTROLLED DOCUMENT.		DWN D. HENNY 8-24-05		RECEPTACLE ASSEMBLY, SIZE 3, 25 POSITION, RIGHT ANGLE, .545 SERIES, .025 SQ. POSTS, AMPLIMITE HDP			
DIMENSIONS: INCHES		CHK S. BOLASH 8-24-05		NAME			
TOLERANCES UNLESS OTHERWISE SPECIFIED:		APVD M. WALMSLEY 8-24-05		PRODUCT SPEC	108-40025		
0 PLC ± -		APPLICATION SPEC		114-40013		SIZE	
1 PLC ± -		WEIGHT	-		CAGE CODE	DRAWING NO	
2 PLC ± -		CUSTOMER DRAWING		A2		00779	
3 PLC ± .005		SCALE		4:1		SHEET	
4 PLC ± -		RESTRICTED TO		-		1 of 1	
ANGLES ± 2°		REV		B			
FINISH							