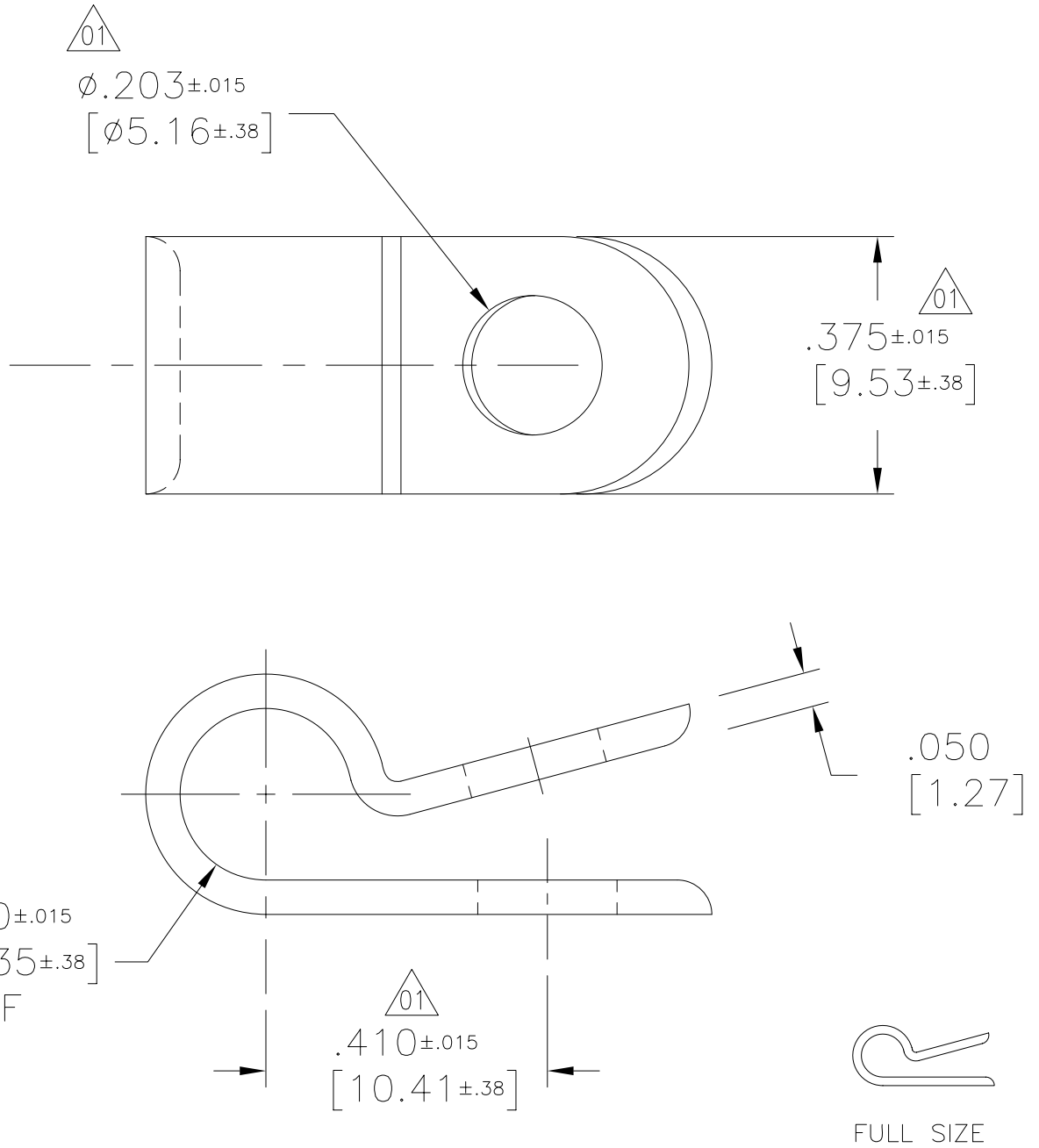


name	date	city, state

NOTES:
 POLYPROPYLENE AVAILABLE BASED UPON
 MINIMUM VOLUME REQUIREMENTS CONSULT FACTORY



PRODUCT CODE DESCRIPTION

T3D0250

COLOR

(CONSULT FACTORY FOR AVAILABLE COLORS)

REVISION	DRAWING level	01
	date	03/24/03
	by	AAC
	ECN #	001666
part level	-	

DIMENSIONS	TOLERANCES	.XXXX=
		.XXX= ±.010 / ±.25
		.XX=
		.X=
		∠=
	unless otherwise specified	
	units	inches/mm

PART	number	T3D0250__	phase	PRODUCTION
	name	T3D0250 T CLAMP		
	material	* NYLON 6/6		

DRAWING	FORMAT	AV	version	M	CAD	ACAD	scale	4X
	computer file number	CL\CST\2001004_01		previous number		CL\CST\2001004A		
	drawn	K.A.C.	checked	K.A.C.	approved			
		08/10/95		03/25/03				
	type	CUSTOMER		sheet	1 of 1			
number	CL2001004CST							