

| ATLANTIC VERSION TERMINATOR INTERFACE ADAPTER | PART NUMBER | REVISION                 | DESCRIPTION                    | FEED TYPE                      | APPLICATOR STYLE CONVERSION CHART |                       |           |             |           |           |                        |
|---|-------------|--------------------------|--------------------------------|--------------------------------|-----------------------------------|-----------------------|-----------|-------------|-----------|-----------|------------------------|
|   |             |                          |                                |                                | CONVERT TO                        | PART NUMBERS REQUIRED |           |             |           |           |                        |
|   | 2266069-1   | A                        | FINE CRIMP HEIGHT ADJUST       | MECHANICAL                     | PNEUMATIC FEED                    | 2119950-1             | 1338685-1 | 5-18022-5   | 2119641-1 | 2119799-1 | 2063440-1              |
|   |             |                          |                                |                                | SERVO LATCH PLATE                 | 2119951-1             | -         | 8-2266069-5 | 1901094-3 | -         | 2168400-6 (QUANTITY 2) |
|   |             |                          |                                |                                | SMART APPLICATOR                  | 2161326-1             | -         | 8-2266069-4 | -         | -         | -                      |
|   | 2266069-2   | A                        | FINE CRIMP HEIGHT ADJUST       | PNEUMATIC                      | MECHANICAL FEED                   | 2119949-1             | 1338685-1 | 5-18022-5   | 2119653-1 | -         | -                      |
|   |             |                          |                                |                                | SERVO LATCH PLATE                 | 2119951-1             | -         | 8-2266069-5 | 1901094-3 | -         | 2168400-6 (QUANTITY 2) |
|   | 2266069-5   | A                        | FINE CRIMP HEIGHT ADJUST       | SERVO LATCH PLATE <sup>4</sup> | MECHANICAL FEED                   | 2119949-1             | 1338685-1 | 5-18022-5   | 2119653-1 | -         | -                      |
|   |             |                          |                                |                                |                                   | PNEUMATIC FEED        | 2119950-1 | 1338685-1   | 5-18022-5 | 2119641-1 | 2119799-1              |
| 2266069-6                                     | A           | NON-CRIMP HEIGHT ADJUST  | SERVO LATCH PLATE <sup>4</sup> | -                              | -                                 | -                     | -         | -           | -         | -         |                        |
| 2266069-7                                     | A           | FINE CRIMP HEIGHT ADJUST | NONE                           | -                              | -                                 | -                     | -         | -           | -         | -         |                        |
| 7-2266069-7                                   | A           | CRIMP TOOLING KIT        | -                              | -                              | -                                 | -                     | -         | -           | -         | -         |                        |

| APPLICATOR DATA |                |      |
|-----------------|----------------|------|
| CRIMP           | SIZE           | TYPE |
| WIRE            | 2.79 mm [.110] | F    |
| INSUL           | 4.32 mm [.170] | O    |

APPLICATOR INSTRUCTIONS  
408-10389

| TERMINAL DATA: TE TERMINAL                |           | TE CRIMP SPECIFICATION       |  |
|---|-----------|------------------------------|--|
| TERMINAL NAME: JUNIOR-POWER-TIMER CONTACT |           |                              |  |
| WIRE STRIP LENGTH                         |           | INSULATION DIAMETER RANGE    |  |
| 4.90-5.50 mm [.193-.217 IN]               |           | Ø2.20-3.00 mm [.087-.118 IN] |  |
| TERMINAL APPLICATION SPECIFICATION        | 114-18050 |                              |  |

| TERMINALS APPLIED |             |             |          |
|-------------------|-------------|-------------|----------|
| TE TERMINAL       | TE TERMINAL | TE TERMINAL | TE SEAL  |
| 927766-1          | 2-927766-1  | 929937-7    | 828905-1 |
| 927766-3          | 929937-1    | 1-929937-1  |          |
| 927766-8          | 929937-3    | 2-929937-1  |          |
| 1-927766-1        | 929937-6    |             |          |

| WIRE SIZE | CRIMP HEIGHT mm [INCH]     | CRIMP HEIGHT REFERENCE SETTING |
|-----------|----------------------------|--------------------------------|
| 2.50mm2   | 1.77+/-0.05 [.070+/- .002] | 5.1                            |
| 2.00mm2   | 1.64+/-0.05 [.065+/- .002] | 6.4                            |
| 1.50mm2   | 1.51+/-0.05 [.059+/- .002] | 7.8                            |

- <sup>1</sup> RECOMMENDED SPARE PARTS
- <sup>2</sup> GREASE BEARING SURFACES LIGHTLY
- 3. LUBRICATE DAILY PER THE APPLICATOR INSTRUCTION SHEET SUPPLIED WITH THE APPLICATOR.
- <sup>4</sup> APPLICATOR SPECIFIC DATA TO BE ENTERED INTO BLANK MEMORY CHIP AT ASSEMBLY. SEE BELOW FOR PART NUMBER:  
 MECHANICAL FEED WITH "SMART APPLICATOR" CONVERSION: 8-2266069-4  
 PNEUMATIC FEED WITH "SMART APPLICATOR" CONVERSION: 8-2266069-4  
 SERVO FEED WITH "FINE CRIMP HEIGHT ADJUST": 8-2266069-5  
 SERVO FEED WITH "NON-CRIMP HEIGHT ADJUST": 8-2266069-6
- 5. ADJUSTMENT OF THE STRIPPER MAY BE REQUIRED WHEN MOVING THE APPLICATOR BETWEEN BENCH AND LEADMAKER APPLICATIONS.
- <sup>6</sup> APPLY PART NUMBER 1-23419-5 LOCTITE TO THREADS OF ITEMS 50, 62 & 242. FOR -6 ONLY APPLY PART NUMBER 1-23419-5 LOCTITE TO THREADS OF ITEMS 37, 50 & 242.
- <sup>7</sup> GREASE THREADS, GROOVE AND O-RING ON ITEMS 35 & 252.
- <sup>8</sup> MAGNET, ITEM 166 MUST BE ORIENTED CORRECTLY IN ORDER TO PROPERLY ACTUATE THE COUNTER.
- <sup>9</sup> CRIMP HEIGHT REFERENCE SETTING WAS THE SETTING USED WHEN THE APPLICATOR WAS QUALIFIED AT THE FACTORY. ADJUSTMENT MAY BE NECESSARY WHEN RUNNING APPLICATOR IN THE FIELD.
- <sup>10</sup> SPARE FEED CAM STORAGE LOCATION REFER TO INSTRUCTION SHEET FOR ADDITIONAL INFORMATION.
- <sup>11</sup> TO CONVERT THE APPLICATOR TO A NON-CARRIER CUTTING STYLE, REMOVE ITEM 13 AND ATTACH TO THE LOCATION ON THE BACK SIDE OF THE HOUSING. REFER TO INSTRUCTION SHEET FOR ADDITIONAL INFORMATION.
- <sup>12</sup> WHEN ASSEMBLING -6 NON-CRIMP HEIGHT ADJUST APPLICATOR USE SHIM PACK 2119957-2 TO ALIGN APPLICATOR'S MAXIMUM WIRE CRIMP HEIGHT AT NORMAL TERMINATOR SHUT HEIGHT
- <sup>13</sup> THIS APPLICATOR APPLIES TERMINAL WITH A SEAL. INSULATION DIAMETER OF SEAL IS Ø2.2-3.0mm.
- <sup>14</sup> APPLY TORO-SEAL IN ALLEN SOCKET TO FILL HOLE AFTER FLAT HD HAS BEEN ADJUSTED TO CORRECT HEIGHT AT QUALIFICATION. APPLY #1-23419-5 LOC-TITE TO THREADS.
- <sup>15</sup> THIS APPLICATOR IS SPECIFIC FOR USE IN A STRIPPER SEAL TERMINATING UNIT.

**\*WARNING**  
 ON INSTALLATION, SET WIRE DISC, ITEM 40 TO LARGEST WIRE SIZE SETTING. USE OF SETTINGS BELOW MINIMUM REQUIRED CRIMP HEIGHT SETTING WILL CAUSE DAMAGE TO CRIMP TOOLING.

|     |    |    |    |    |    |           |                                 |         |
|-----|----|----|----|----|----|-----------|---------------------------------|---------|
| -   | -  | 1  | -  | -  | -  | 2119957-2 | APPLICATOR SHIM PACK            | 260     |
| -   | 1  | -  | 1  | 1  | 1  | 8-21084-0 | O-RING, .676 ID, .070 DIA. MAT. | 252     |
| -   | -  | -  | -  | 1  | -  | 2119640-1 | PUSH ROD, AIR FEED              | 250     |
| -   | -  | -  | -  | 1  | -  | 2079988-1 | BUSHING, LCH5-12, MISUMI        | 249     |
| -77 | -7 | -6 | -5 | -2 | -1 | PART NO   | DESCRIPTION                     | ITEM NO |

**ATLANTIC VERSION**  
 Shown on sheets 1 of 4 & 2 of 4  
 (Pacific version shown on sheets 3 of 4 & 4 of 4)

| SET UP GAUGE | LOC | DIST | REVISIONS |             |           |       |
|--------------|-----|------|-----------|-------------|-----------|-------|
| 2119599-1    | A   | 66   | #         | DATE        | BY        | APP'D |
|              |     |      | 1         | DEVELOPMENT | 09OCT2013 | YY UG |
|              |     |      | A         | RELEASED    | 19NOV2013 | YY UG |

|     |     |     |     |     |     |             |                                     |         |
|-----|-----|-----|-----|-----|-----|-------------|-------------------------------------|---------|
| -   | -   | -   | -   | 1   | -   | 2119641-1   | FEED CAM, AIR FEED                  | 248     |
| -   | 1   | -   | 1   | 1   | 1   | 2119798-1   | DETENT PIN                          | 247     |
| -   | 1   | -   | 1   | 1   | 1   | 1-22279-3   | SPRING, COMPRESSION                 | 246     |
| -   | -   | 1   | -   | -   | -   | 2119758-1   | RAM, AMP STYLE, SIDE FEED, NON-ADJ. | 245     |
| -   | 1   | 1   | 1   | 1   | 1   | 2119082-7   | CAM, SNAIL, INSULATION ADJUSTMENT   | 244     |
| -   | 1   | 1   | 1   | 1   | 1   | 2079764-1   | WASHER, WAVE SPRING, CREST-TO-CREST | 243     |
| -   | 1   | 1   | 1   | 1   | 1   | 2119083-1   | RETAINER, INSULATION DIAL           | 242     |
| -   | 1   | 1   | 1   | 1   | 1   | 7-18023-7   | SCR, SKT HD CAP M3 X 4.0            | 241     |
| -   | -   | 2   | 2   | -   | -   | 2168400-6   | SHCS, LOW HEAD, RoHS, M5 X 16       | 240     |
| -   | -   | -   | -   | -   | 1   | 2119580-1   | MECHANICAL FEED ASSEMBLY            | 239     |
| -   | -   | -   | -   | -   | 1   | 2063440-1   | AIR FEED MODULE                     | 238     |
| -   | -   | 1   | 1   | -   | -   | 2119740-2   | TAG, IDENTIFICATION                 | 213     |
| -   | -   | 1   | 1   | -   | -   | 1901094-3   | SPACER, FEEDER                      | 198     |
| -   | 1   | 1   | 1   | 1   | 1   | 993111-1    | PIN, SLOTTED SPRING 3.0 X 20.0      | 177     |
| -   | 1   | 1   | 1   | 1   | 1   | 8-22280-7   | SPRING, COMPRESSION                 | 176     |
| -   | 1   | 1   | 1   | 1   | 1   | 1752353-2   | GUIDE PIN, HOLDDOWN                 | 175     |
| -   | 1   | 1   | 1   | 1   | 1   | 1901680-2   | GUIDE PIN, HOLDDOWN                 | 174     |
| -   | -   | -   | -   | 2   | -   | 21045-3     | RING, RETAIN, EXTERN, 3/16 CRESCENT | 172     |
| -   | 1   | 1   | 1   | 1   | 1   | 994969-1    | MAGNET, RARE EARTH HIGH ENERGY      | 166     |
| -   | REF | REF | REF | REF | REF | 994970-2    | COUNTER, MAGNETIC                   | 164     |
| -   | -   | -   | -   | 1   | -   | 240638-1    | SPRING, FEED FINGER                 | 163     |
| -   | -   | -   | -   | 1   | -   | 3-23627-7   | PIN, RETAIN, GRVD, 3/16 X .854      | 137     |
| -   | -   | -   | -   | 1   | -   | 2119799-1   | HOLDER, FEED FINGER, AF             | 136     |
| -   | -   | REF | REF | -   | -   | SEE NOTE 4  | MEMORY CHIP, PROGRAMMED             | 135     |
| -   | -   | 1   | 1   | -   | -   | 1633743-1   | SERVO FEED LATCH ASM                | 133     |
| -   | 1   | 1   | 1   | 1   | 1   | 1-18028-2   | WASHER, FLAT, REG M4                | 119     |
| -   | -   | REF | REF | -   | -   | 2119944-1   | FEED FINGER ASSEMBLY, SF            | 117     |
| -   | 1   | 1   | 1   | 1   | 1   | 455888-5    | SPACER, CRIMPER                     | 82      |
| -   | 1   | 1   | 1   | 1   | 1   | 2119956-1   | DOCUMENTATION PACKAGE               | 71      |
| -   | 1   | -   | -   | 1   | 1   | 2119740-1   | TAG, IDENTIFICATION                 | 67      |
| -   | 2   | 2   | 2   | 2   | 2   | 2168078-1   | SCREW, DRIVE, RH, RoHS, 2 x .188    | 66      |
| -   | 1   | -   | 1   | 1   | 1   | 2119793-1   | LIMITER, ADJUSTMENT BOLT            | 63      |
| -   | 2   | -   | 2   | 2   | 2   | 992763-5    | SCR, SET, SOC, CONE POINT, M3 x 4.0 | 62      |
| -   | 1   | 1   | 1   | 1   | 1   | 2079383-4   | SCR, BHSC, RoHS (M4 X 8)            | 60      |
| -   | -   | -   | -   | 1   | 1   | 5-18022-5   | SCR, HEX HD CAP, M4 X 6.0           | 59      |
| -   | 1   | 1   | 1   | 1   | 1   | 985575-3    | SCR, FLT SKT HD CAP M3 X 10.0       | 57      |
| -   | -   | -   | -   | -   | 1   | 1338685-1   | PAWL, FEED                          | 56      |
| -   | 4   | 4   | 4   | 4   | 4   | 2168400-1   | SHCS, LOW HEAD, RoHS, M4 X 12       | 54      |
| -   | 1   | 1   | 1   | 1   | 1   | 1-5018030-0 | NUT, HEX, REG, RoHS, M3.5           | 52      |
| -   | 1   | 1   | 1   | 1   | 1   | 1901681-1   | HOLDDOWN, TERMINAL                  | 51      |
| -   | 1   | 1   | 1   | 1   | 1   | 2-1752354-4 | STANDOFF, HOLD-DOWN                 | 50      |
| -   | -   | -   | -   | 1   | 2   | 18023-9     | SCR, SKT HD CAP M4 X 6.0            | 49      |
| -   | -   | -   | -   | -   | 1   | 2119652-1   | FEED CAM, PRE FEED                  | 48      |
| -   | -   | -   | -   | -   | 1   | 2119653-1   | FEED CAM, POST FEED                 | 47      |
| -   | 1   | 1   | 1   | 1   | 1   | 2-2119656-1 | APPLICATOR BASIC ASSEMBLY, SF       | 46      |
| -   | 1   | -   | 1   | 1   | 1   | 2119370-1   | RAM, AMP STYLE, SIDE FEED           | 44      |
| -   | 1   | 1   | 1   | 1   | 1   | 2079383-7   | SCR, BHSC, RoHS (M8 X 25)           | 41      |
| -   | 1   | -   | 1   | 1   | 1   | 2119645-1   | DISC, NUMBERED FA WIRE ADJUSTMENT   | 40      |
| -   | 1   | -   | 1   | 1   | 1   | 2119957-1   | APPLICATOR SHIM PACK                | 39      |
| -   | 1   | 1   | 1   | 1   | 1   | 1-2119644-2 | RAM WASHER, PRECISION               | 38      |
| -   | 1   | 1   | 1   | 1   | 1   | 2119085-1   | FA HEAD, ATLANTIC STYLE             | 37      |
| -   | 1   | -   | 1   | 1   | 1   | 2119092-1   | BOLT, ADJUSTMENT                    | 35      |
| -   | 1   | 1   | 1   | 1   | 1   | 1-1752356-8 | SUPPORT, TERMINAL                   | 34      |
| -   | 2   | 2   | 2   | 2   | 2   | 2079383-5   | SCR, BHSC, RoHS (M4 X 20)           | 33      |
| -   | 1   | 1   | 1   | 1   | 1   | 2161328-1   | HEX HEAD, FLANGED, M5 x 8mm LONG    | 32      |
| -   | 1   | 1   | 1   | 1   | 1   | 1320908-8   | SPACER, STRIP GUIDE                 | 30      |
| -   | 1   | 1   | 1   | 1   | 1   | 2119959-1   | ASSEMBLY, STRIP GUIDE               | 29      |
| -   | 1   | 1   | 1   | 1   | 1   | 455888-3    | SPACER, CRIMPER                     | 28      |
| -   | 1   | 1   | 1   | 1   | 1   | 1320928-1   | STRIP GUIDE                         | 24      |
| -   | 1   | 1   | 1   | 1   | 1   | 2168083-2   | SCR, SKT HD CAP, RoHS, M4 X 8.0     | 21      |
| -   | 1   | 1   | 1   | 1   | 1   | 1-18028-2   | WASHER, FLAT, REG M4                | 20      |
| -   | 1   | 1   | 1   | 1   | 1   | 2119533-1   | STRIPPER, SIDE FEED                 | 19      |
| -   | 1   | 1   | 1   | 1   | 1   | 2119806-1   | INSERT, SHEAR                       | 13      |
| -   | 1   | 1   | 1   | 1   | 1   | 3-22280-3   | SPRING, COMPRESSION                 | 12      |
| -   | 1   | 1   | 1   | 1   | 1   | 1-356885-4  | STOP, SHEAR                         | 11      |
| -   | 1   | 1   | 1   | 1   | 1   | 2119805-1   | SHEAR HOLDER, FRONT                 | 10      |
| -   | 1   | 1   | 1   | 1   | 1   | 318707-1    | FLOATING SHEAR, FRONT               | 9       |
| 1   | 1   | 1   | 1   | 1   | 1   | 1-1333207-0 | ANVIL, COMBINATION .110             | 8       |
| -   | 1   | 1   | 1   | 1   | 1   | 2119781-1   | DEPRESSOR, SHEAR                    | 5       |
| -   | 1   | 1   | 1   | 1   | 1   | 5-238011-5  | BLOCK, CRIMPER SPACER               | 4       |
| 1   | 1   | 1   | 1   | 1   | 1   | 1-1633965-4 | CRIMPER, INSULATION O PREMIUM       | 3       |
| -   | 1   | 1   | 1   | 1   | 1   | 1-455888-6  | SPACER, CRIMPER                     | 2       |
| 1   | 1   | 1   | 1   | 1   | 1   | 2-456408-0  | CRIMPER, WIRE PREMIUM               | 1       |
| -77 | -7  | -6  | -5  | -2  | -1  | PART NO     | DESCRIPTION                         | ITEM NO |

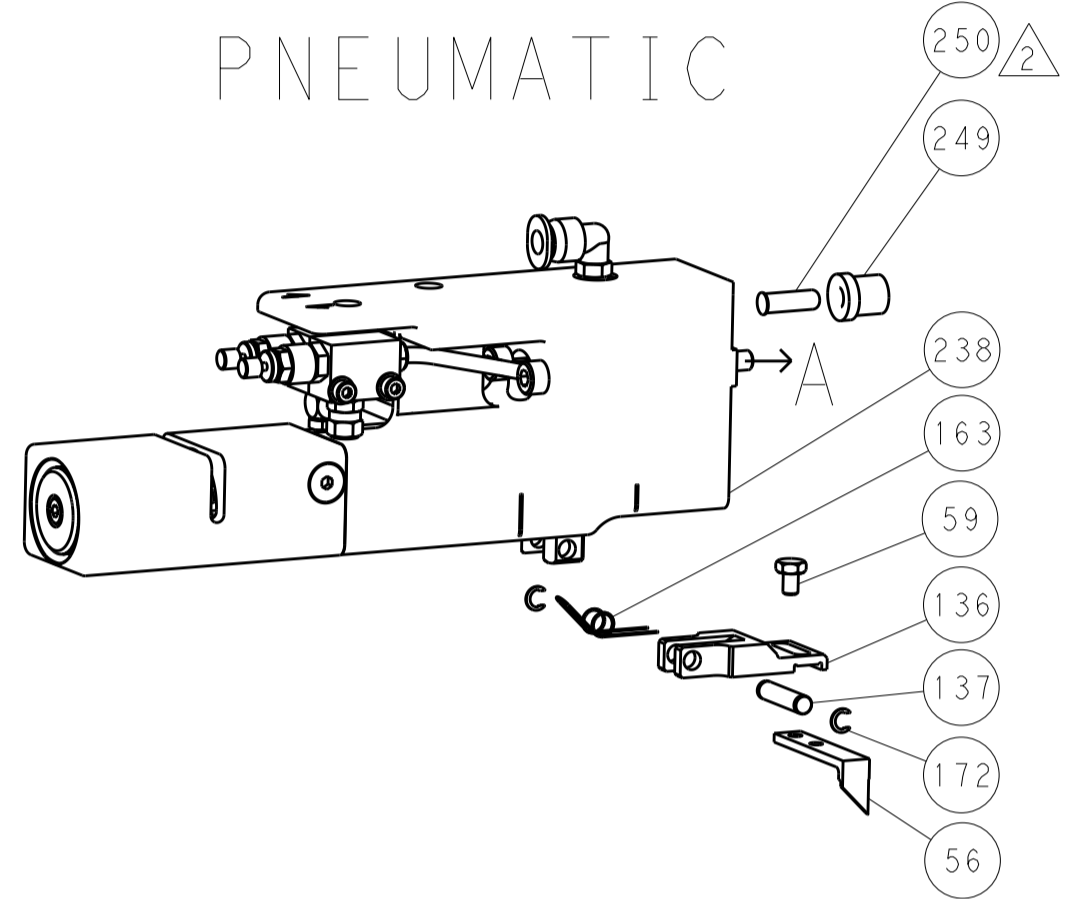
| DIMENSIONS: |               | TOLERANCES UNLESS OTHERWISE SPECIFIED: |           | OWN                                    | CHK        | APP'D        | DATE      | TE Connectivity            |                           |
|-------------|---------------|--|-----------|--|------------|--------------|-----------|----------------------------|---------------------------|
| mm          | 0 PLC ±.5     | 1 PLC ±.5                              | 2 PLC ±.5 | 3 PLC ±.5                              | 4 PLC ±.5  | 5 PLC ±.5    | 6 PLC ±.5 | 7 PLC ±.5                  | Harrisburg, PA 17105-3608 |
|             | ANGLES ±.0001 |  |           |  |            |              |           |                            |                           |
| MATERIAL:   | FINISH:       | WEIGHT:                                | SCALE:    | Customer Accessible Production Drawing | SCALE: 1:2 | SHEET 1 of 4 | REV A     | Ocean Side Feed Applicator |                           |

| LOC |    | DIST |     | REVISIONS   |      |     |      |
|-----|----|------|-----|-------------|------|-----|------|
| A   | 66 | P    | LTM | DESCRIPTION | DATE | DWN | APVD |
|     |    | -    | -   | SEE SHEET 1 | -    | -   | -    |

### FEED TYPE MECHANICAL



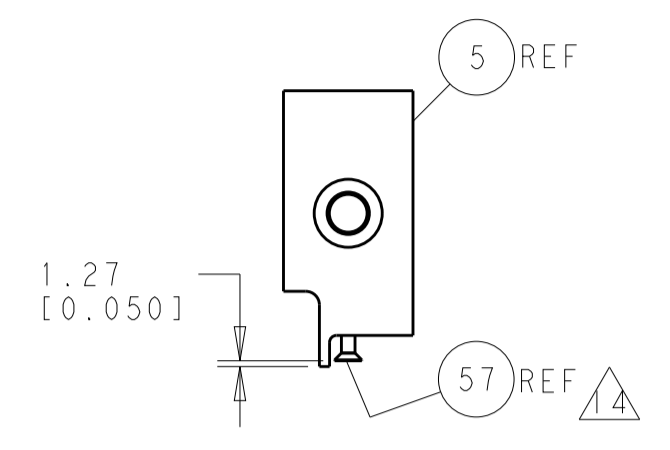
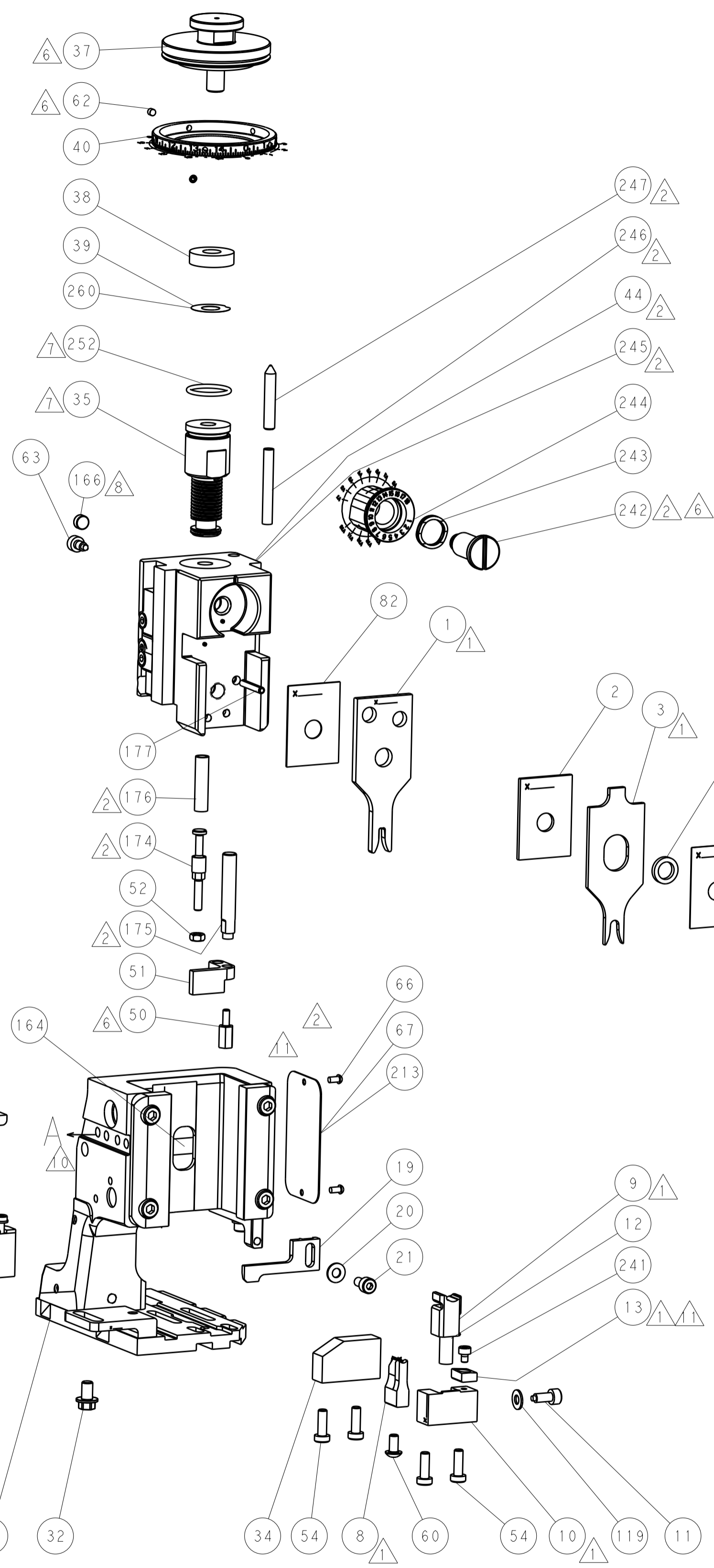
### PNEUMATIC



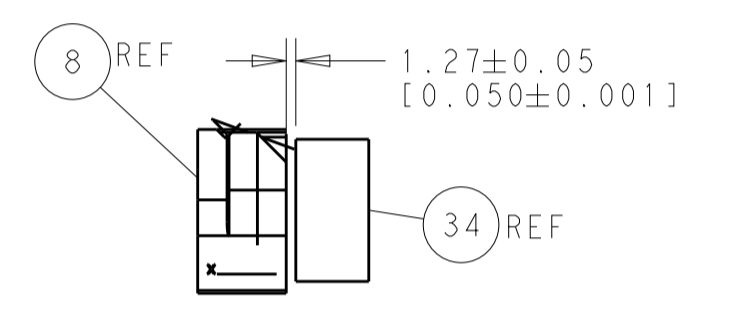
### SERVO LATCH PLATE



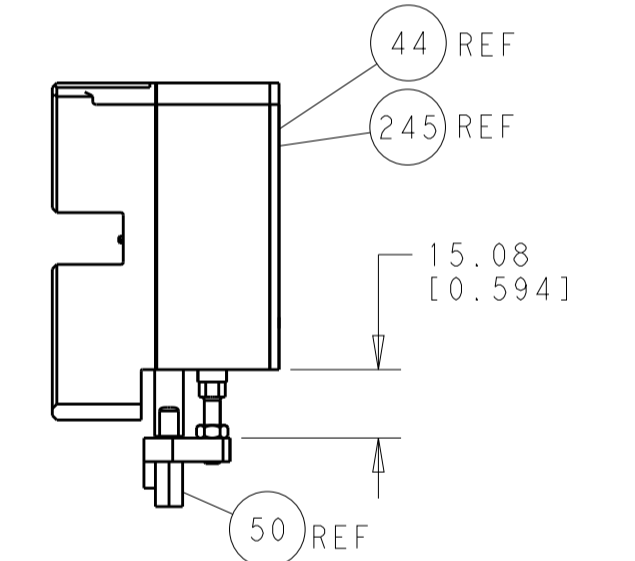
### CAM POSITIONS



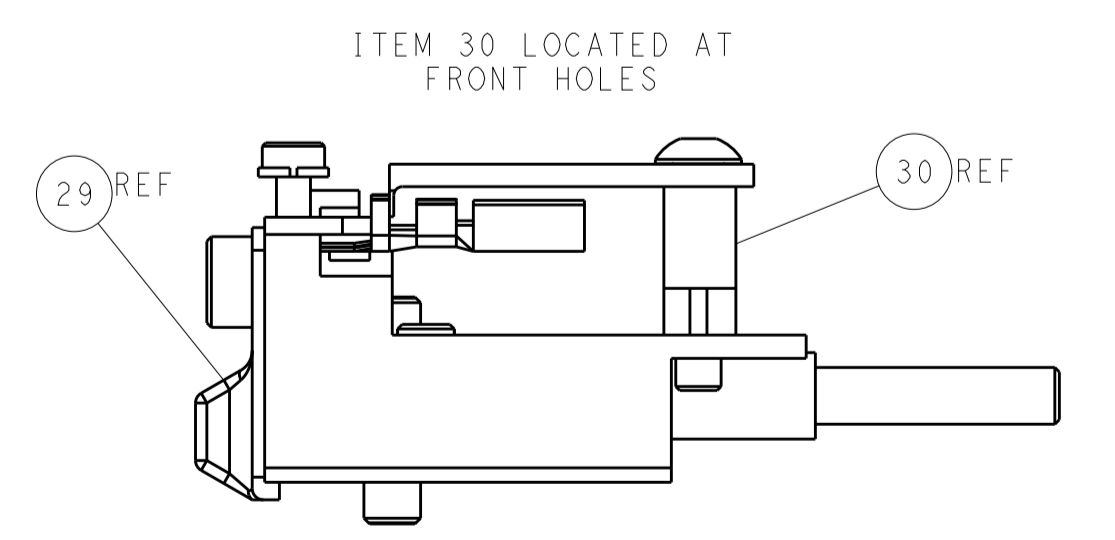
SHEAR DEPRESSOR DETAIL



TERMINAL SUPPORT LOCATION



HOLDDOWN SET-UP



FEED TRACK POSITION GUIDE BY INSULATION BARREL

**ATLANTIC VERSION**  
 Shown on sheets 1 of 4 & 2 of 4  
 (Pacific version shown on sheets 3 of 4 & 4 of 4)

|  |            |  |              |                                |               |  |  |
|--|------------|--|--------------|--------------------------------|---------------|--|--|
| DIMENSIONS:                            |            | TOLERANCES UNLESS OTHERWISE SPECIFIED: |              | DWN<br>T. YIN<br>09OCT2013     |               | TE Connectivity<br>Harrisburg, PA 17105-3608 |  |
| mm                                     | 0 PLC ±0.5 | 1 PLC ±0.13                            | 2 PLC ±0.013 | 3 PLC ±0.001                   | 4 PLC ±0.0001 | NAME<br>Ocean Side Feed Applicator           |  |
| MATERIAL:                              |            | FINISH:                                |              | APVD<br>G. BAILEY<br>09OCT2013 |               | RESTRICTED TO                                |  |
| Customer Accessible Production Drawing |            | SCALE 1:2                              |              | SHEET 2 of 4                   |               | REV A  |  |

| PACIFIC VERSION TERMINATOR INTERFACE ADAPTER | PART NUMBER | REVISION | DESCRIPTION              | FEED TYPE                      | APPLICATOR STYLE CONVERSION CHART |                       |           |             |           |           |                        |
|--|-------------|----------|--------------------------|--------------------------------|-----------------------------------|-----------------------|-----------|-------------|-----------|-----------|------------------------|
|  |             |          |                          |                                | CONVERT TO                        | PART NUMBERS REQUIRED |           |             |           |           |                        |
|  | 2-2266069-1 | A        | FINE CRIMP HEIGHT ADJUST | MECHANICAL                     | PNEUMATIC FEED                    | 2119950-1             | 1338685-1 | 5-18022-5   | 2119641-2 | 2119799-1 | 2063440-1              |
|  |             |          |                          |                                | SERVO LATCH PLATE                 | 2119951-1             | -         | 8-2266069-5 | 1901094-3 | -         | 2168400-6 (QUANTITY 2) |
|  |             |          |                          |                                | SMART APPLICATOR                  | 2161326-1             | -         | 8-2266069-4 | -         | -         | -                      |
|  | 2-2266069-2 | A        | FINE CRIMP HEIGHT ADJUST | PNEUMATIC                      | MECHANICAL FEED                   | 2119949-1             | 1338685-1 | 5-18022-5   | 2119653-2 | -         | -                      |
|  |             |          |                          |                                | SERVO LATCH PLATE                 | 2119951-1             | -         | 8-2266069-5 | 1901094-3 | -         | 2168400-6 (QUANTITY 2) |
|  |             |          |                          |                                | SMART APPLICATOR                  | 2161326-1             | -         | 8-2266069-4 | -         | -         | -                      |
|  | 2-2266069-5 | A        | FINE CRIMP HEIGHT ADJUST | SERVO LATCH PLATE <sup>4</sup> | MECHANICAL FEED                   | 2119949-1             | 1338685-1 | 5-18022-5   | 2119653-2 | -         | -                      |
|  |             |          |                          |                                | PNEUMATIC FEED                    | 2119950-1             | 1338685-1 | 5-18022-5   | 2119641-2 | 2119799-1 | 2063440-1              |
|  | 2-2266069-7 | A        | FINE CRIMP HEIGHT ADJUST | NONE                           | -                                 | -                     | -         | -           | -         | -         | -                      |
|  | 7-2266069-7 | A        | CRIMP TOOLING KIT        | -                              | -                                 | -                     | -         | -           | -         | -         | -                      |

| APPLICATOR DATA                      |                |      |
|--------------------------------------|----------------|------|
| CRIMP                                | SIZE           | TYPE |
| WIRE                                 | 2.79 mm [.110] | F    |
| INSUL                                | 4.32 mm [.170] | O    |
| APPLICATOR INSTRUCTIONS<br>408-10389 |                |      |

| TERMINAL DATA: TE TERMINAL                |             | TE CRIMP SPECIFICATION       |          |
|---|-------------|------------------------------|----------|
| TERMINAL NAME: JUNIOR-POWER-TIMER CONTACT |             |                              |          |
| WIRE STRIP LENGTH                         |             | INSULATION DIAMETER RANGE    |          |
| 4.90-5.50 mm [1.93-.217 IN]               |             | Ø2.20-3.00 mm [.087-.118 IN] |          |
| TERMINAL APPLICATION SPECIFICATION        | 114-18050   | -                            | -        |
| TERMINALS APPLIED                         |             |                              |          |
| TE TERMINAL                               | TE TERMINAL | TE TERMINAL                  | TE SEAL  |
| 927766-1                                  | 2-927766-1  | 929937-7                     | 828905-1 |
| 927766-3                                  | 929937-1    | 1-929937-1                   |          |
| 927766-8                                  | 929937-3    | 2-929937-1                   |          |
| 1-927766-1                                | 929937-6    |                              |          |

| WIRE SIZE | CRIMP HEIGHT mm [INCH]    | CRIMP HEIGHT REFERENCE SETTING |
|-----------|---------------------------|--------------------------------|
| 2.50mm2   | 1.77+/-0.05 [0.70+/-0.02] | 5.1                            |
| 2.00mm2   | 1.64+/-0.05 [0.65+/-0.02] | 6.4                            |
| 1.50mm2   | 1.51+/-0.05 [0.59+/-0.02] | 7.8                            |

- RECOMMENDED SPARE PARTS
- GREASE BEARING SURFACES LIGHTLY
- 3. LUBRICATE DAILY PER THE APPLICATOR INSTRUCTION SHEET SUPPLIED WITH THE APPLICATOR.
- APPLICATOR SPECIFIC DATA TO BE ENTERED INTO BLANK MEMORY CHIP AT ASSEMBLY. SEE BELOW FOR PART NUMBER:  
 MECHANICAL FEED WITH "SMART APPLICATOR" CONVERSION: 8-2266069-4  
 PNEUMATIC FEED WITH "SMART APPLICATOR" CONVERSION: 8-2266069-4  
 SERVO FEED WITH "FINE CRIMP HEIGHT ADJUST": 8-2266069-5  
 SERVO FEED WITH "NON-CRIMP HEIGHT ADJUST": 8-2266069-6
- 5. ADJUSTMENT OF THE STRIPPER MAY BE REQUIRED WHEN MOVING THE APPLICATOR BETWEEN BENCH AND LEADMAKER APPLICATIONS.
- APPLY PART NUMBER 1-23419-5 LOCTITE TO THREADS OF ITEMS 50, 62 & 242.
- GREASE THREADS, GROOVE AND O-RING ON ITEMS 139 & 152.
- MAGNET MUST BE ORIENTED CORRECTLY IN ORDER TO PROPERLY ACTUATE THE COUNTER.
- CRIMP HEIGHT REFERENCE SETTING WAS THE SETTING USED WHEN THE APPLICATOR WAS QUALIFIED AT THE FACTORY. ADJUSTMENT MAY BE NECESSARY WHEN RUNNING APPLICATOR IN THE FIELD.
- SPARE FEED CAM STORAGE LOCATION REFER TO INSTRUCTION SHEET FOR ADDITIONAL INFORMATION.
- TO CONVERT THE APPLICATOR TO A NON-CARRIER CUTTING STYLE, REMOVE ITEM 13 AND ATTACH TO THE LOCATION ON BACK SIDE OF THE HOUSING. REFER TO INSTRUCTION SHEET FOR ADDITIONAL INFORMATION.
- THIS APPLICATOR APPLIES TERMINAL WITH A SEAL. INSULATION DIAMETER OF SEAL IS Ø2.2-3.0mm.
- APPLY TORO-SEAL IN ALLEN SOCKET TO FILL HOLE AFTER FLAT HD HAS BEEN ADJUSTED TO CORRECT HEIGHT AT QUALIFICATION. APPLY #1-23419-5 LOC-TITE TO THREADS.
- THIS APPLICATOR IS SPECIFIC FOR USE IN A STRIPPER SEAL TERMINATING UNIT.

**\*WARNING**  
 ON INSTALLATION, SET WIRE DISC, ITEM 40 TO LARGEST WIRE SIZE SETTING. USE OF SETTINGS BELOW MINIMUM REQUIRED CRIMP HEIGHT SETTING WILL CAUSE DAMAGE TO CRIMP TOOLING.

| -77 | -27 | -25 | -22 | -21 | PART NO   | DESCRIPTION                         | ITEM NO |
|-----|-----|-----|-----|-----|-----------|-------------------------------------|---------|
| -   | 1   | 1   | 1   | 1   | 2119782-1 | FINE ADJUST HEAD ASM, PACIFIC STYLE | 251     |
| -   | -   | -   | 1   | -   | 2119640-1 | PUSH ROD, AIR FEED                  | 250     |

**PACIFIC VERSION**  
 Shown on sheets 3 of 4 & 4 of 4  
 (Atlantic version shown on sheets 1 of 4 & 2 of 4)

| SET UP GAUGE | LOC | DIST | REVISIONS |     |             |      |     |      |
|--------------|-----|------|-----------|-----|-------------|------|-----|------|
| 2119599-1    | A   | 66   | P         | LTN | DESCRIPTION | DATE | OWN | APVD |
|              |     |      | -         | -   | SEE SHEET 1 | -    | -   | -    |

|   |     |     |     |     |             |                                     |     |
|---|-----|-----|-----|-----|-------------|-------------------------------------|-----|
| - | -   | -   | 1   | -   | 2079988-1   | BUSHING, LCH5-12, MISUMI            | 249 |
| - | 1   | 1   | 1   | 1   | 1-22279-3   | SPRING, COMPRESSION                 | 246 |
| - | 1   | 1   | 1   | 1   | 2119082-7   | CAM, SNAIL, INSULATION ADJUSTMENT   | 244 |
| - | 1   | 1   | 1   | 1   | 2079764-1   | WASHER, WAVE SPRING, CREST-TO-CREST | 243 |
| - | 1   | 1   | 1   | 1   | 2119083-1   | RETAINER, INSULATION DIAL           | 242 |
| - | 1   | 1   | 1   | 1   | 7-18023-7   | SCR, SKT HD CAP M3 X 4.0            | 241 |
| - | -   | 2   | -   | -   | 2168400-6   | SHCS, LOW HEAD, RoHS, M5 X 16       | 240 |
| - | -   | -   | -   | 1   | 2119580-1   | MECHANICAL FEED ASSEMBLY            | 239 |
| - | -   | -   | 1   | -   | 2063440-1   | AIR FEED MODULE                     | 238 |
| - | -   | 1   | -   | -   | 2119740-2   | TAG, IDENTIFICATION                 | 213 |
| - | -   | 1   | -   | -   | 1901094-3   | SPACER, FEEDER                      | 198 |
| - | 1   | 1   | 1   | 1   | 993111-1    | PIN, SLOTTED SPRING 3.0 X 20.0      | 177 |
| - | 1   | 1   | 1   | 1   | 8-22280-7   | SPRING, COMPRESSION                 | 176 |
| - | 1   | 1   | 1   | 1   | 1752353-2   | GUIDE PIN, HOLDDOWN                 | 175 |
| - | 1   | 1   | 1   | 1   | 1901680-2   | GUIDE PIN, HOLDDOWN                 | 174 |
| - | -   | -   | 2   | -   | 21045-3     | RING, RETAIN, EXTERN, 3/16 CRESCENT | 172 |
| - | 1   | 1   | 1   | 1   | 994969-1    | MAGNET, RARE EARTH HIGH ENERGY      | 166 |
| - | REF | REF | REF | REF | 994970-2    | COUNTER, MAGNETIC                   | 164 |
| - | -   | -   | 1   | -   | 240638-1    | SPRING, FEED FINGER                 | 163 |
| - | 1   | 1   | 1   | 1   | 8-21084-1   | O-RING, .801 ID, .070 DIA. MAT.     | 152 |
| - | -   | -   | 1   | -   | 2119641-2   | FEED CAM, AIR FEED                  | 151 |
| - | 1   | 1   | 1   | 1   | 2119798-2   | DETENT PIN                          | 145 |
| - | 1   | 1   | 1   | 1   | 2079383-8   | SCR, BHSC, RoHS (M4 X 16)           | 144 |
| - | 4   | 4   | 4   | 4   | 2168400-5   | SHCS, LOW HEAD, RoHS, M4 X 20       | 143 |
| - | -   | -   | -   | 1   | 2119653-2   | FEED CAM, POST FEED                 | 142 |
| - | 1   | 1   | 1   | 1   | 2-2119656-2 | APPLICATOR BASIC ASSEMBLY, SF       | 141 |
| - | 1   | 1   | 1   | 1   | 2119650-1   | RAM, ASIAN STYLE, SIDE FEED         | 140 |
| - | 1   | 1   | 1   | 1   | 2119092-2   | BOLT, ADJUSTMENT                    | 139 |
| - | -   | -   | 1   | -   | 3-23627-7   | PIN, RETAIN, GRVD, 3/16 X .854      | 137 |
| - | -   | -   | 1   | -   | 2119799-1   | HOLDER, FEED FINGER, AF             | 136 |
| - | -   | REF | -   | -   | SEE NOTE 4  | MEMORY CHIP, PROGRAMMED             | 135 |
| - | -   | 1   | -   | -   | 1633743-1   | SERVO FEED LATCH ASM                | 133 |
| - | 1   | 1   | 1   | 1   | 1-18028-2   | WASHER, FLAT, REG M4                | 119 |
| - | -   | REF | -   | -   | 2119944-1   | FEED FINGER ASSEMBLY, SF            | 117 |
| - | 1   | 1   | 1   | 1   | 455888-5    | SPACER, CRIMPER                     | 82  |
| - | 1   | 1   | 1   | 1   | 2119956-1   | DOCUMENTATION PACKAGE               | 71  |
| - | 1   | -   | 1   | 1   | 2119740-1   | TAG, IDENTIFICATION                 | 67  |
| - | 2   | 2   | 2   | 2   | 2168078-1   | SCREW, DRIVE, RH, RoHS, 2 x .188    | 66  |
| - | 1   | 1   | 1   | 1   | 2119793-1   | LIMITER, ADJUSTMENT BOLT            | 63  |
| - | 2   | 2   | 2   | 2   | 992763-5    | SCR, SET, SOC, CONE POINT, M3 x 4.0 | 62  |
| - | -   | -   | 1   | 1   | 5-18022-5   | SCR, HEX HD CAP, M4 X 6.0           | 59  |
| - | 1   | 1   | 1   | 1   | 985575-3    | SCR, FLT SKT HD CAP M3 X 10.0       | 57  |
| - | -   | -   | 1   | 1   | 1338685-1   | PAWL, FEED                          | 56  |
| - | 1   | 1   | 1   | 1   | 1-5018030-0 | NUT, HEX, REG, RoHS, M3.5           | 52  |
| - | 1   | 1   | 1   | 1   | 1901681-1   | HOLDDOWN, TERMINAL                  | 51  |
| - | 1   | 1   | 1   | 1   | 2-1752354-4 | STANDOFF, HOLD-DOWN                 | 50  |
| - | -   | -   | 1   | 2   | 18023-9     | SCR, SKT HD CAP M4 X 6.0            | 49  |
| - | -   | -   | -   | 1   | 2119652-1   | FEED CAM, PRE FEED                  | 48  |
| - | 1   | 1   | 1   | 1   | 2079383-7   | SCR, BHSC, RoHS (M8 X 25)           | 41  |
| - | 1   | 1   | 1   | 1   | 2119645-1   | DISC, NUMBERED FA WIRE ADJUSTMENT   | 40  |
| - | 1   | 1   | 1   | 1   | 2119957-1   | APPLICATOR SHIM PACK                | 39  |
| - | 1   | 1   | 1   | 1   | 1-2119644-2 | RAM WASHER, PRECISION               | 38  |
| - | 1   | 1   | 1   | 1   | 1-1752356-8 | SUPPORT, TERMINAL                   | 34  |
| - | 2   | 2   | 2   | 2   | 2079383-5   | SCR, BHSC, RoHS (M4 X 20)           | 33  |
| - | 1   | 1   | 1   | 1   | 2161328-1   | HEX HEAD, FLANGED, M5 x 8mm LONG    | 32  |
| - | 1   | 1   | 1   | 1   | 1320908-8   | SPACER, STRIP GUIDE                 | 30  |
| - | 1   | 1   | 1   | 1   | 2119959-1   | ASSEMBLY, STRIP GUIDE               | 29  |
| - | 1   | 1   | 1   | 1   | 455888-3    | SPACER, CRIMPER                     | 28  |
| - | 1   | 1   | 1   | 1   | 1320928-1   | STRIP GUIDE                         | 24  |
| - | 1   | 1   | 1   | 1   | 2168083-2   | SCR, SKT HD CAP, RoHS, M4 X 8.0     | 21  |
| - | 1   | 1   | 1   | 1   | 1-18028-2   | WASHER, FLAT, REG M4                | 20  |
| - | 1   | 1   | 1   | 1   | 2119533-1   | STRIPPER, SIDE FEED                 | 19  |
| - | 1   | 1   | 1   | 1   | 2119806-1   | INSERT, SHEAR                       | 13  |
| - | 1   | 1   | 1   | 1   | 3-22280-3   | SPRING, COMPRESSION                 | 12  |
| - | 1   | 1   | 1   | 1   | 1-356885-4  | STOP, SHEAR                         | 11  |
| - | 1   | 1   | 1   | 1   | 2119805-1   | SHEAR HOLDER, FRONT                 | 10  |
| - | 1   | 1   | 1   | 1   | 318707-1    | FLOATING SHEAR, FRONT               | 9   |
| - | 1   | 1   | 1   | 1   | 1-1333207-0 | ANVIL, COMBINATION .110             | 8   |
| - | 1   | 1   | 1   | 1   | 2119781-1   | DEPRESSOR, SHEAR                    | 5   |
| - | 1   | 1   | 1   | 1   | 5-238011-5  | BLOCK, CRIMPER SPACER               | 4   |
| - | 1   | 1   | 1   | 1   | 1-1633965-4 | CRIMPER, INSULATION O PREMIUM       | 3   |
| - | 1   | 1   | 1   | 1   | 1-455888-6  | SPACER, CRIMPER                     | 2   |
| - | 1   | 1   | 1   | 1   | 2-456408-0  | CRIMPER, WIRE PREMIUM               | 1   |

|             |   |  |  |      |           |        |  |                                       |               |            |          |       |   |    |   |     |   |
|-------------|---|--|--|------|-----------|--------|--|---------------------------------------|---------------|------------|----------|-------|---|----|---|-----|---|
| DIMENSIONS: |   | TOLERANCES UNLESS OTHERWISE SPECIFIED: |  | OWN  | 09OCT2013 |        | TE Connectivity<br>Harrisburg, PA 17105-3608 |                                       |               |            |          |       |   |    |   |     |   |
| mm          | 0 PLC ±.05<br>1 PLC ±.05<br>2 PLC ±.05<br>3 PLC ±.05<br>4 PLC ±.05<br>ANGLES ±.0001 | FINISH                                 |  | CHK  | 09OCT2013 |        |  | NAME<br>Ocean Side Feed<br>Applicator | RESTRICTED TO |            |          |       |   |    |   |     |   |
| MATERIAL    |   |  |  | APVD | 09OCT2013 | SIZE   | CAGE CODE                                    |                                       |               | DRAWING NO | REVISION |       |   |    |   |     |   |
|             |   |  |  |      |           | WEIGHT | A1   | 00779                                 | ©=2266069     | SCALE      | 1:2      | SHEET | 3 | OF | 4 | REV | A |

