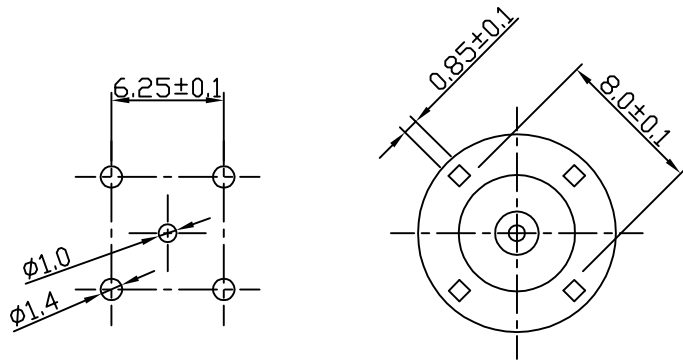
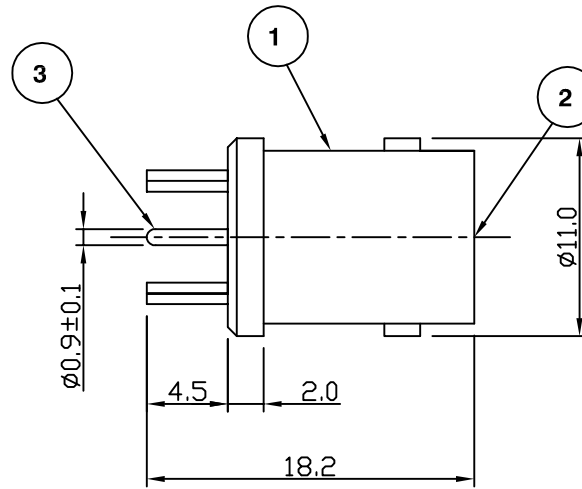


RoHS COMPLIANT



MOUNTING HOLE



Electrical Characteristics

Nominal Impedance:	75 ohms
Frequency Range:	DC to 1 GHz
VSWR:	1.3:1 maximum
Insertion Loss:	0.2 dB at 1 GHz
Operating Voltage (rms):	500 V maximum at sea level
Dielectric Withstand Voltage (rms):	1500 V maximum at sea level
Contact Resistance:	3.0 milliohms maximum
Insulation Resistance:	5000 megohms minimum

Mechanical Characteristics

Mating Cycles:	500 cycles minimum
Interface Dimensions:	Conform to MIL-C-39012

Environmental Characteristics

Temperature Range:	-65 °C to +165 °C
--------------------	-------------------

	PART	DESCRIPTION
1	Body	Brass, silver plated 1.78 µm
2	Dielectric	PTFE
3	Contact	Brass, gold plated 0.08 µm to 0.13 µm

CAD Issue	SN	5	01 Feb 02
Mil Spec taken from drawing	AT	4	11 Dec 98
Mil Spec put on to drawing	DH	3	05 Aug 98
UK	DH	2	15 June 98
First Issue	IS	1	16 July 94
DESCRIPTION OF REVISION	APPVD	ISS	DATE



Cinch Connectivity Solutions
 7-13 Russel Way,
 Widford Industrial Estate,
 Chelmsford, Essex,
 CM1 3AA, UK.
 Tel: +44 (0) 1245 359515
 Fax: +44 (0) 1245 358938

SCALE: Not To Scale

DIMENSIONS: mm

TOLERANCES:
 ± 0.2mm unless
 otherwise stated

DRAWN BY:

S Nash

CHECKED BY:

S Nash

APPROVED BY:

M Nielsen

DATE:

01 Feb 02

TITLE:

BNC Vertical PCB Mount Jack

PART NUMBER:

VB334-75

PAGE: 1 of 1