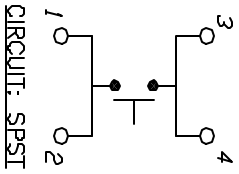
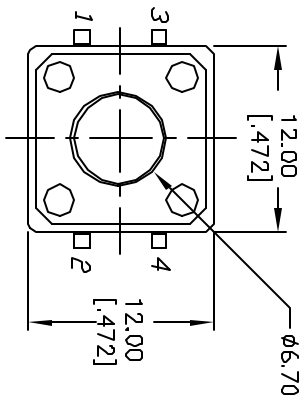
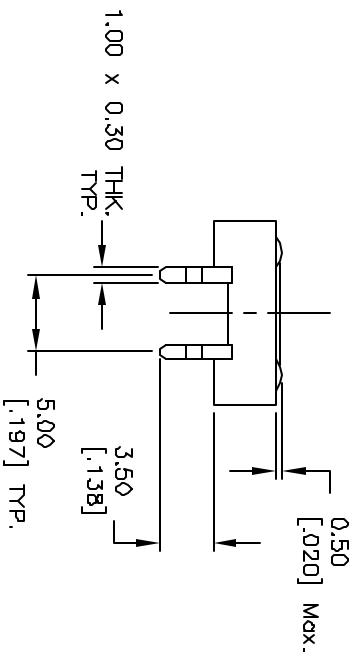
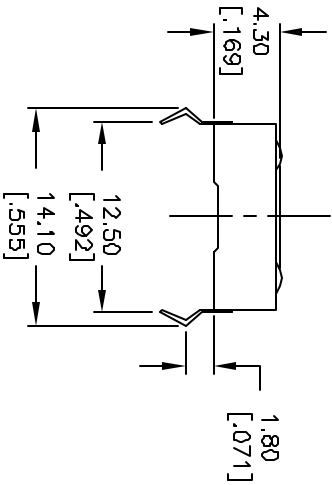


RECOMMENDED P.C.B. LAYOUT



CIRCUIT: SPST



- NOTES:
1. ALL DIMENSIONS IN MM [INCH]
 2. GENERAL TOLERANCE: X.X=±0.4
X.XX=±0.25
 3. TERM. NOS. FOR REF. ONLY
 4. RATING: 50mA, @12V DC
 5. TRAVEL: 0.30±0.15mm
 6. OPERATING FORCE: 260±50gf
 7. CONTACT RESISTANCE: 100 MILLIOHMS Max.
 8. ELECTRICAL LIFE: 100,000 CYCLES MIN.

REV.	ECN No.	DESCRIPTION	DATE	CHK'D
A	11261	RELEASED FOR PRODUCTION	2/22/01	CJB

TITLE	SCALE	DATE	DR	DWG	REV
TL 1100 D F260 Q	2:1	2/22/01	CJB	P001107	A

E-SWITCH®

THE INFORMATION CONTAINED IN THIS DOCUMENT IS PROPRIETARY TO E-SWITCH AND IS NOT TO BE COPIED OR TRANSMITTED