

MICRO SWITCH

A DIVISION OF MINNEAPOLIS-HONEYWELL REGULATOR COMPANY
 FREEPORT, ILLINOIS

FED. MFR. CODE 91929

ASSEMBLY - SWITCH

CATALOG LISTING

17ACI-T

M 17ACI-T

DRAWING NUMBER

ISSUE 10

REPLACES

RELEASE NO. SR 7894

CHECK

REVISIONS

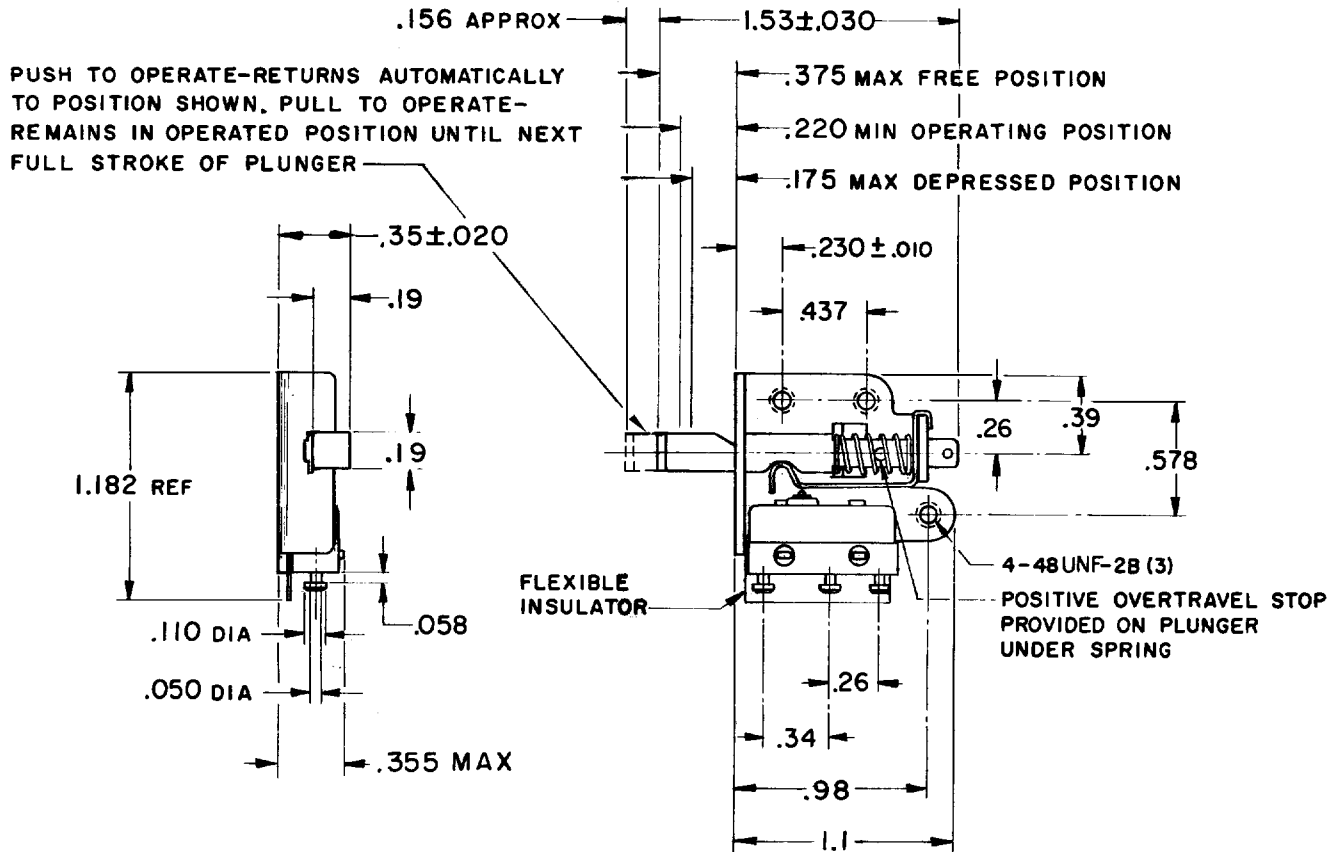
A	CORR	
13	RER	MAR 59
B	CO13528	
	RER	MAY 59
C	CO14049	
	MBF	SEP 59
D	CORR	
	OMW	FEB 60
E	CO15981	
	LSD	AUG 61
F	CO16231	
	LSD	SEP 61
G	CO23756	
	ORD	FEB 68
H	CO24376	
	RER	JUN 68
J	CO-82803-B	
	CSL	SEP 96

FORMTEK DRAWN

R. E. R 5 NOV 58

C. C. H 24 NOV 58

R. L. B 6 NOV 58



THIS DRAWING COVERS A PROPRIETARY ITEM AND IS THE PROPERTY OF MICRO SWITCH, A DIVISION OF MINNEAPOLIS-HONEYWELL REGULATOR CO. THIS DRAWING IS NOT TO BE COPIED OR USED WITHOUT THE APPROVAL OF MICRO SWITCH.

CHARACTERISTICS	ELECTRICAL DATA	SCALE FULL
TOTAL TRAVEL	CONTACT ARRANGEMENT S P D T	DO NOT SCALE PRINT
© .156 APPROX PUSH DIRECTION .156 APPROX PULL DIRECTION	250 VAC ----- 5 AMPS	UNLESS OTHERWISE SPECIFIED
FULL OVERTRAVEL FORCE -- 2 LBS APPROX	30 VOLTS DC RATING	DIMENSIONS ARE IN INCHES
	INDUCTIVE ----- SEA LEVEL ----- 3 AMPS 50,000 FT. ----- 2.5 AMPS	TOLERANCES ARE:
	RESISTIVE ----- SEA LEVEL ----- 5 AMPS 50,000 FT. ----- 5 AMPS	ONE PLACE (.0) ± .030 TWO PLACE (.00) ± .015 THREE PLACE (.000) ± .005 ANGLES ±
	MAXIMUM INRUSH ----- 24 AMPS	WEIGHT .02 LBS APPROX