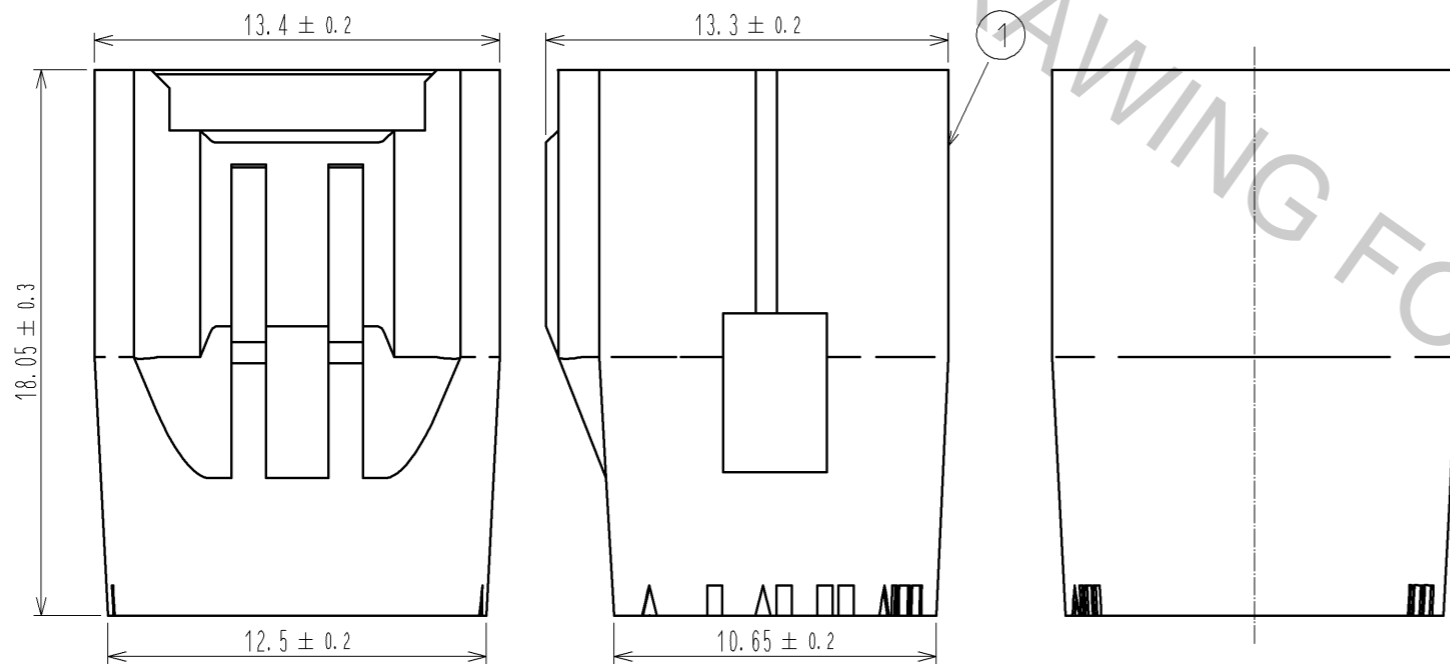
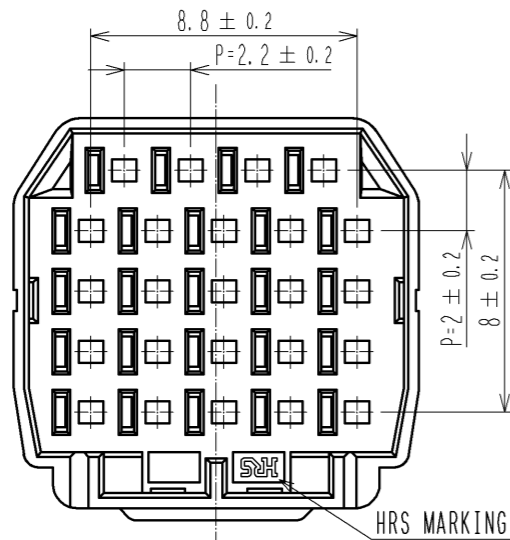
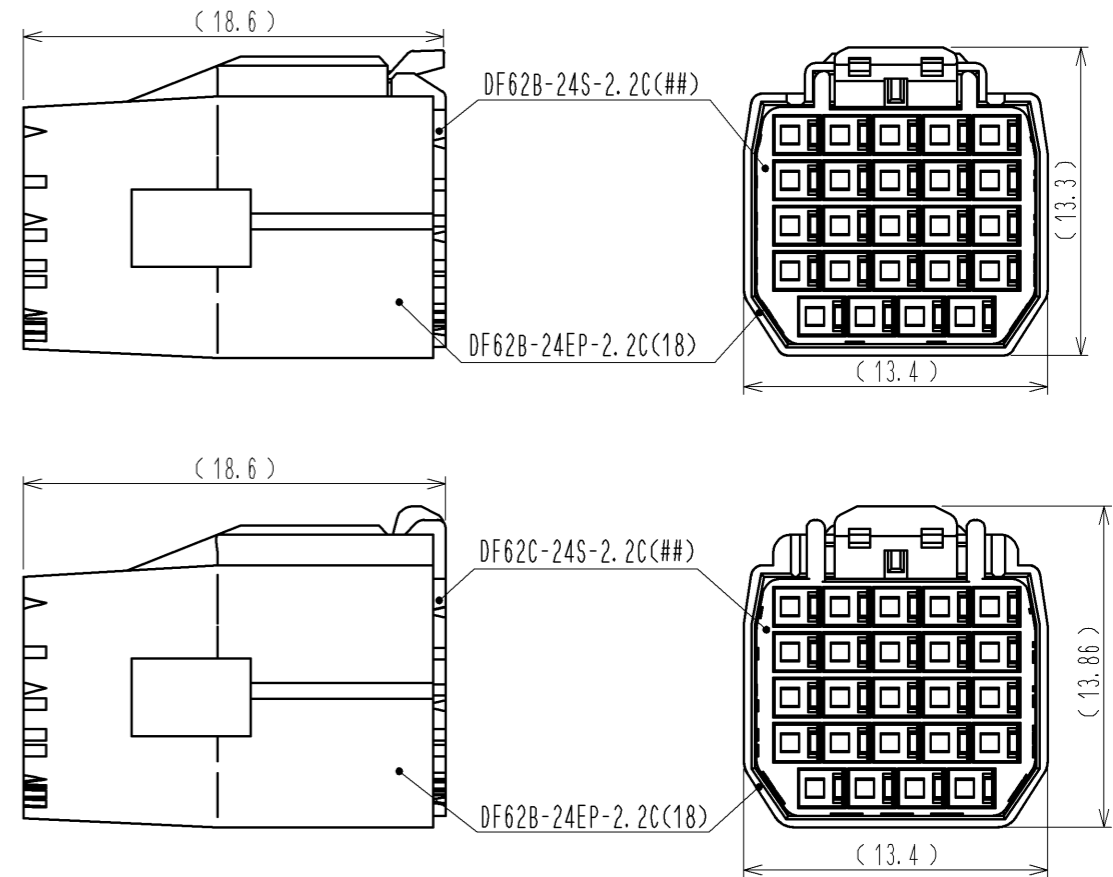


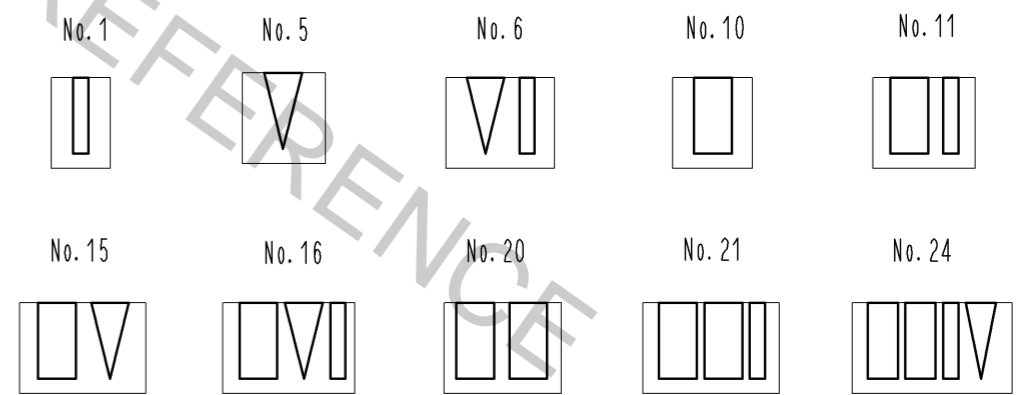
Apr.1.2017 Copyright 2017 HIROSE ELECTRIC CO., LTD. All Rights Reserved.



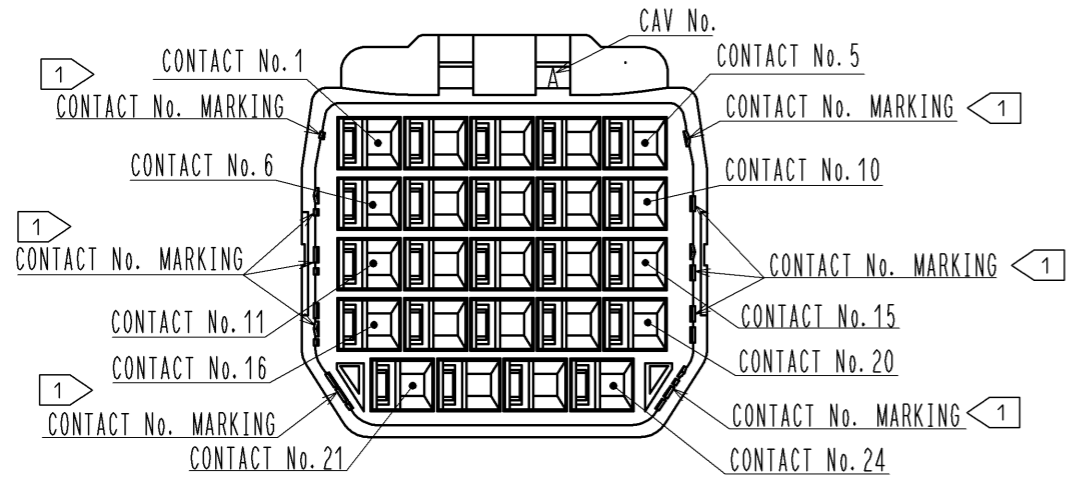
MATING FIGURE



1 FIGURE-1 CONTACT No. MARKING (10:1)



NOTE. 1. MARKINGS AT THE INDICATED POSITIONS ARE CONTACT NO. MARKING. AND SHAPES ARE SHOWN IN FIGURE-1.
 2. PER PACK : 100 PIECES.
 3. THE DIMENSIONS IN PARENTHESIS ARE FOR REFERENCE.



NO.	MATERIAL	FINISH . REMARKS	1	PBT	UL94V-0 (RED)	
UNITS	mm	SCALE	4 : 1	COUNT	DESCRIPTION OF REVISIONS	
APPROVED : KI. AKIYAMA			13.09.10	DRAWING NO.		
CHECED : OM. MIYAMOTO			13.09.10	PART NO.		
DESIGNED : TH. YOSHIZAWA			13.09.09	CODE NO.		
DRAWN : MI. SAKIMURA			13.09.04	CL544-0540-3-18		
				DESIGNED	CHECKED	DATE
				EDC3-348671-02		
				DF62B-24EP-2.2C(18)		
				1/1		