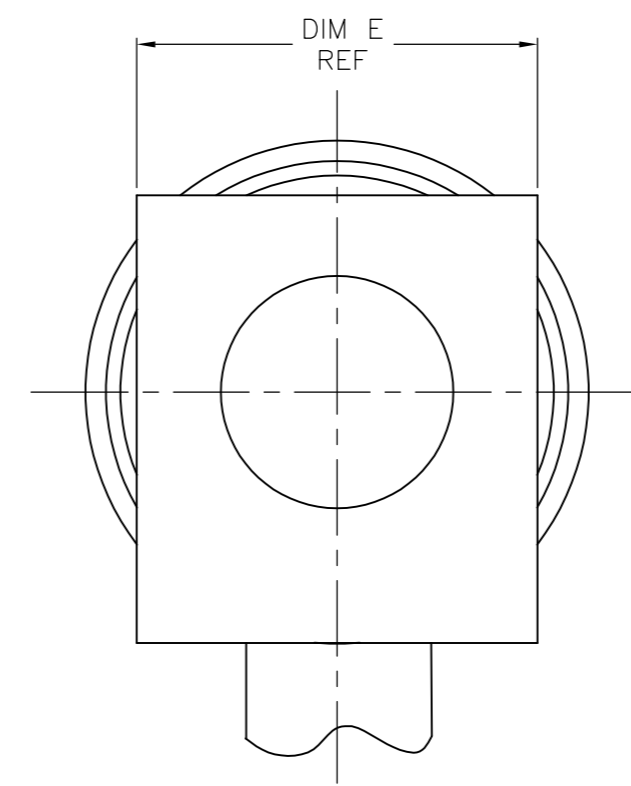
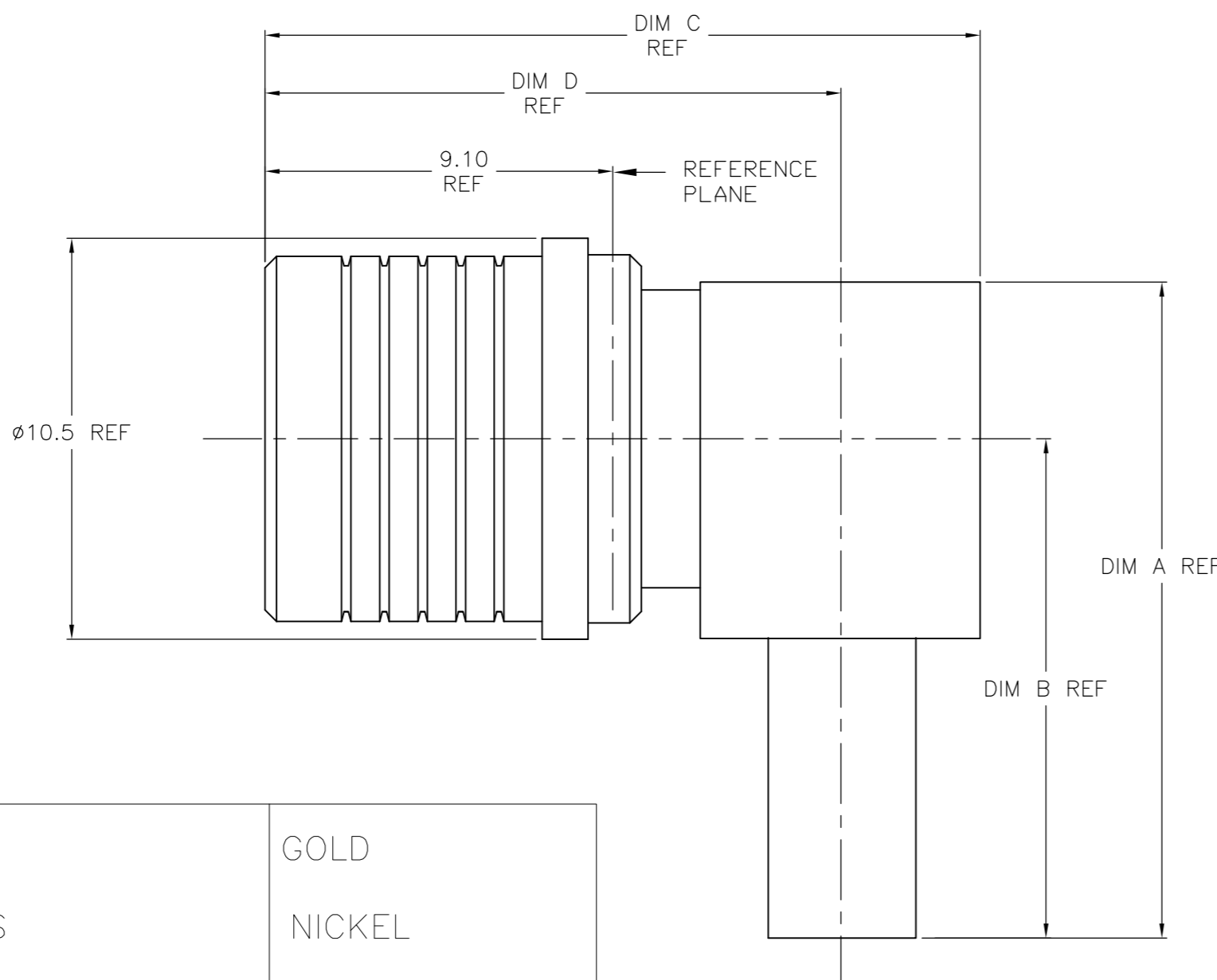


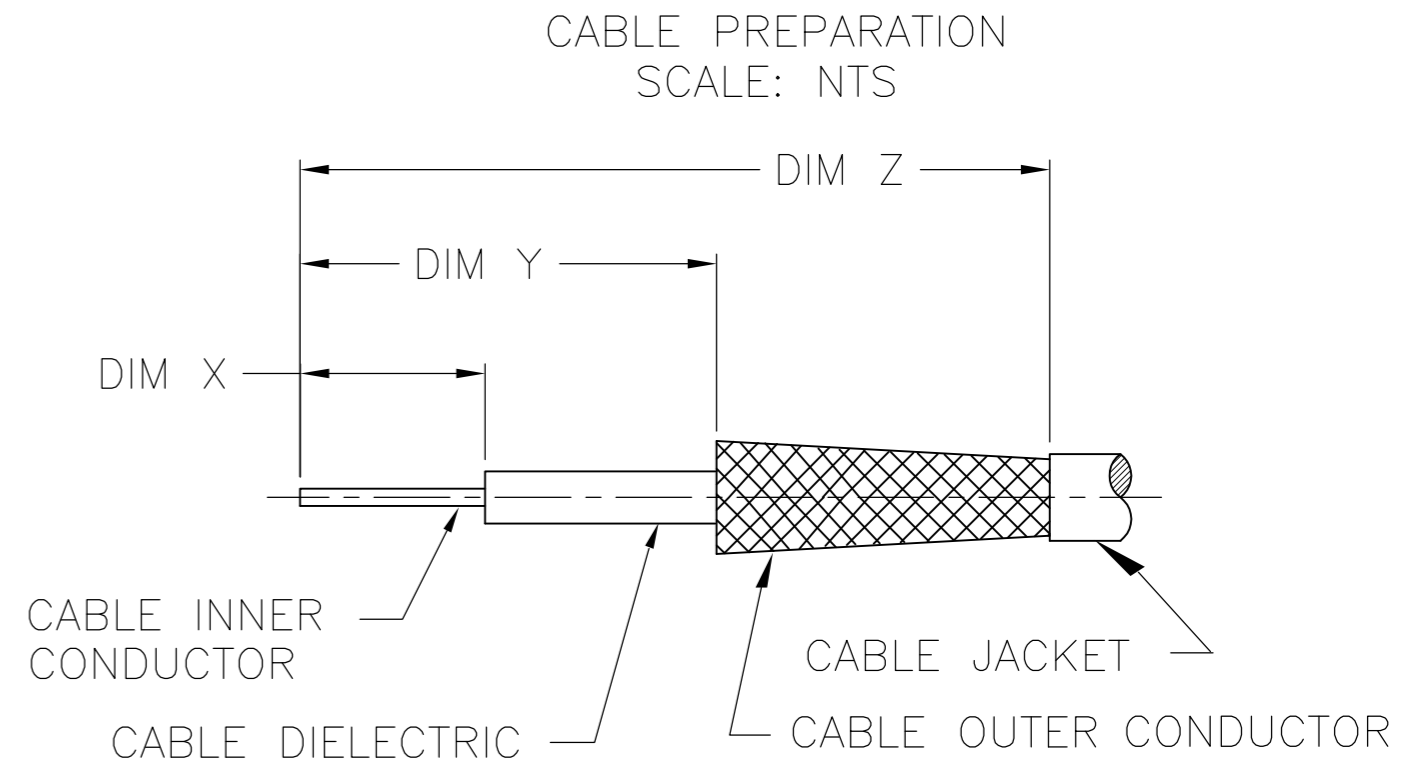
THIS DRAWING IS UNPUBLISHED. RELEASED FOR PUBLICATION  
 © COPYRIGHT BY TYCO ELECTRONICS CORPORATION. ALL RIGHTS RESERVED.

LOC	DIST	REVISIONS			
P	LTR	DESCRIPTION	DATE	DWN	APVD
	C2	REVISED PER ECO-08-023805	11/26/2008	DW	JO
	C3	REVISED PER ECO-09-024927	07NOV09	KK	AEG



- 1 SINGLE PACKED
- 2 BULK PACKED IN QUANTITIES OF 100
- 3 CRIMP FERRULE USING CRIMP DIE  
HEX SIZE SPECIFIED IN TABLE
- 4. IS SHEET 408-8638
- 5 INSERTION LOSS VALUE FROM  
PRODUCT SPEC DOES NOT APPLY
- 6 OBSOLETE PARTS: OBSOLETE CIS STREAMLINING  
PER D.RENAUD/D.SINISI

CENTER CONTACT	BRASS	GOLD
HOUSING	BRASS	NICKEL
RELEASE RING	PHOSPHOR BRONZE	WHITE BRONZE
FERRULE	COPPER OR BRASS	NICKEL
OUTER CONTACT	BERYLLIUM COPPER	NICKEL
DIELECTRIC	PTFE	N/A
COMPONENT	MATERIAL	FINISH



5	MA318	1	22.7	17.7	22.8	17.2	11.1	3.8	7.6	19.8	9.75	2016047-2	1404236-1	1408369-3	1-1408336-0
	RG58/U, 141, 303 & SF142	2	19.8	15.4	18.7	15.1	8.71	2.8	6.2	11.2	5.41	1-1403081-8	9-446556-2	1408369-2	6 1408336-8
	RG58/U, 141, 303 & SF142	1	19.8	15.4	18.7	15.1	8.71	2.8	6.2	11.2	5.41	1-1403081-8	9-446556-2	1408369-2	1408336-7
	RG55/U, 142, 223 & 400	2	22.3	17.9	18.7	15.1	8.71	2.8	6.2	11.2	5.41	1-1403081-8	2-1403102-5	1408369-2	6 1408336-6
	RG55/U, 142, 223 & 400	1	22.3	17.9	18.7	15.1	8.71	2.8	6.2	11.2	5.41	1-1403081-8	2-1403102-5	1408369-2	6 1408336-5
	RD316/U	2	17.5	13.1	18.7	15.1	8.71	2.8	6.2	11.2	3.83	1-1403081-8	2-413889-7	1408369-1	6 1408336-4
	RD316/U	1	17.5	13.1	18.7	15.1	8.71	2.8	6.2	11.2	3.83	1-1403081-8	2-413889-7	1408369-1	1408336-3
	RG316/U, 174 & 188	2	17.5	13.1	18.7	15.1	8.71	2.8	6.2	11.2	3.25	1-1403081-8	2-413889-4	1408369-1	6 1408336-2
	RG316/U, 174 & 188	1	17.5	13.1	18.7	15.1	8.71	2.8	6.2	11.2	3.25	1-1403081-8	2-413889-4	1408369-1	1408336-1
	CABLE	PKG	DIM A	DIM B	DIM C	DIM D	DIM E	DIM X	DIM Y	DIM Z	HEX 3	CAP	FERRULE	HSG ASSY	PART NO

THIS DRAWING IS A CONTROLLED DOCUMENT.

DWN	D Cam	06NOV2001
CHK	RMF	12/18/02
APVD	D Cam	12/18/02
PRODUCT SPEC	108-2087	
APPLICATION SPEC	-	
WEIGHT	-	
CUSTOMER DRAWING	-	

**Tyco Electronics** Tyco Electronics Corporation  
Harrisburg, PA 17105-3608

NAME: QMA RIGHT ANGLE CABLE PLUG CRIMP ATTACHMENT

SIZE	CAGE CODE	DRAWING NO	RESTRICTED TO
A2	00779	C=1408336	-
SCALE	10:1	SHEET	1 OF 1
REV	C3		