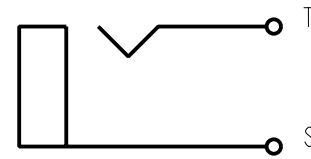
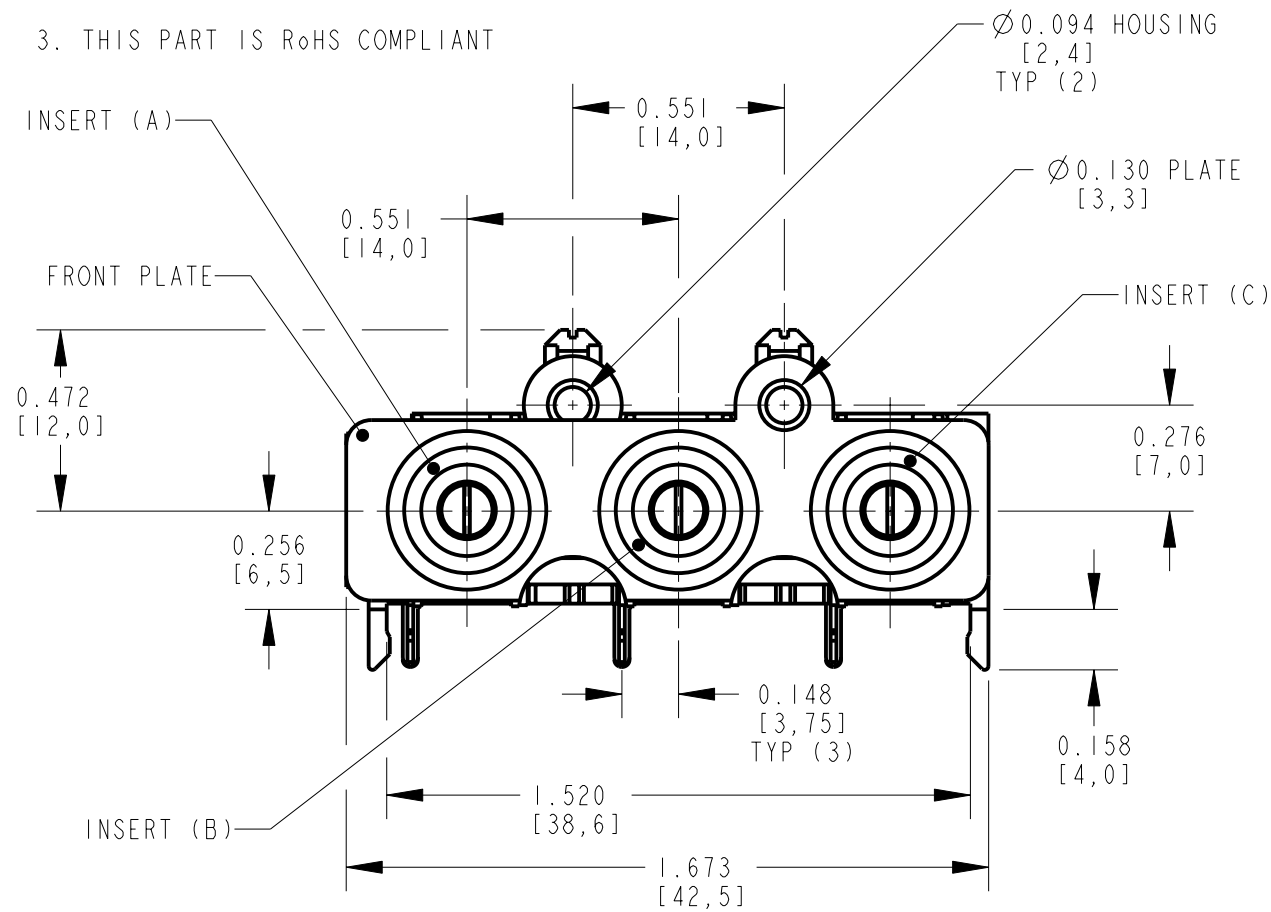
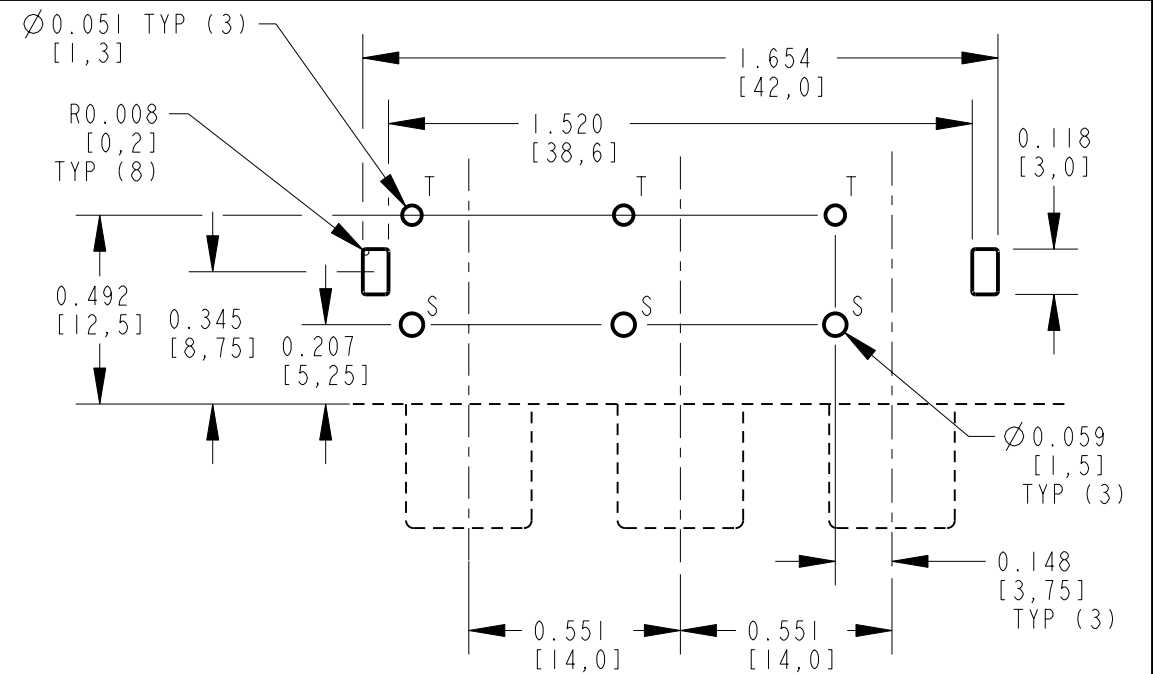


NOTES:

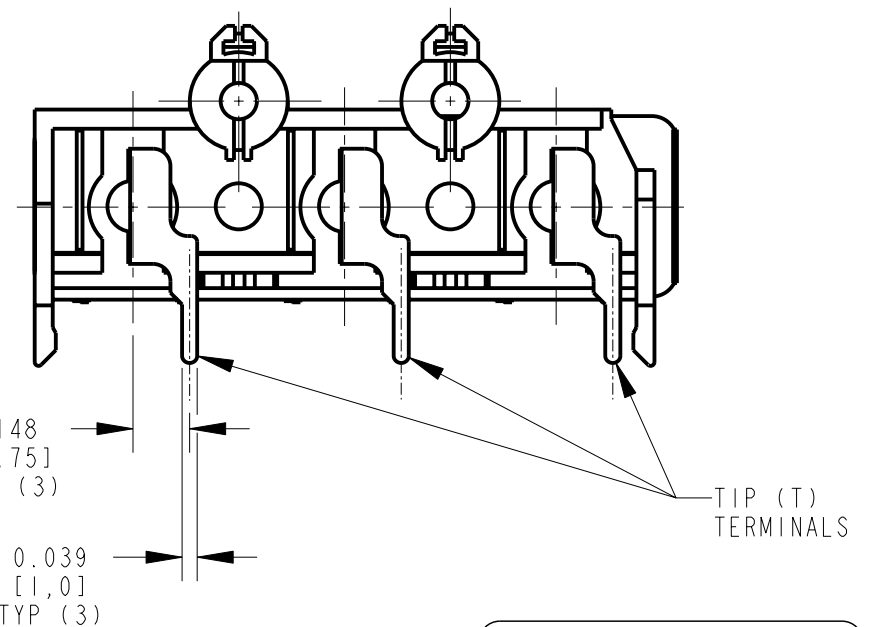
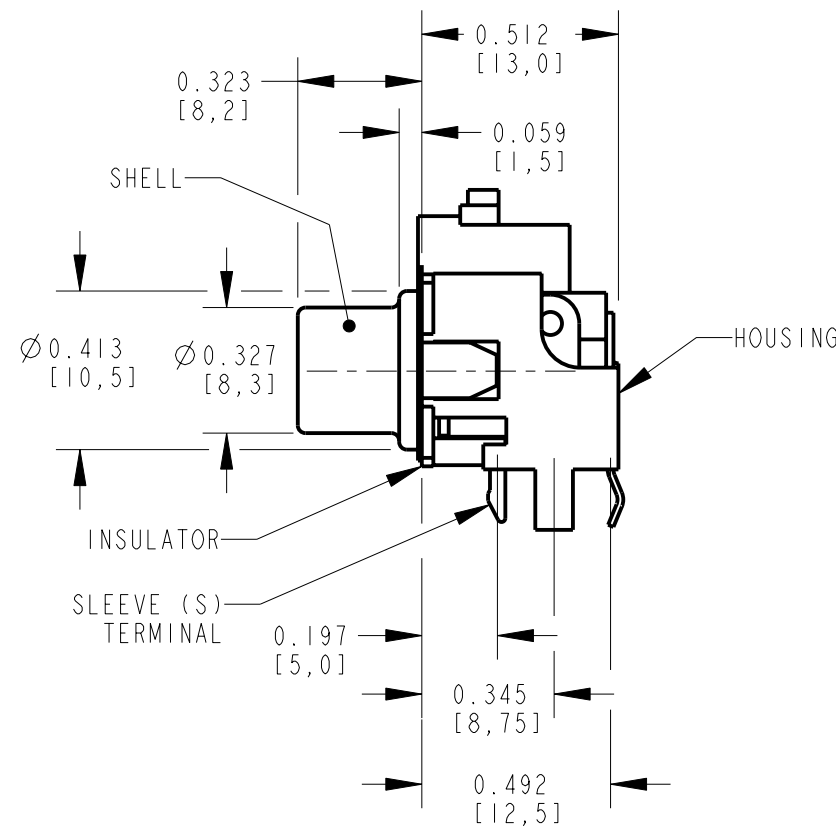
- ALL DIMENSIONS ARE REFERENCE.
- MATERIALS:
 HOUSING: ABS, UL-94HB
 COLOR INSERT: ABS, UL-94HB
 INSULATOR: ABS, UL-94HB
 SHELL & SLEEVE TERMINALS: COPPER ALLOY,
 NICKEL OR GOLD PLATED
 TIP TERMINALS: COPPER ALLOY, TIN PLATED
 FRONT PLATE: COPPER ALLOY, NICKEL PLATED
- THIS PART IS RoHS COMPLIANT



SCHEMATIC
TYP (3) JACKS



P.C. BOARD LAYOUT
COMPONENT SIDE



CUSTOMER DRAWING

PART NUMBER	INSERT (A) COLOR	INSERT (B) COLOR	INSERT (C) & HOUSING COLOR	SHELL AND SLEEVE TERMINAL FINISH
PJRS3XIS01X	RED	WHITE	YELLOW	NICKEL PLATED
PJRS3XIS01AUX	RED	WHITE	YELLOW	GOLD PLATED
PJRS3XIS02X	GREEN	BLUE	RED	NICKEL PLATED
PJRS3XIS02AUX	GREEN	BLUE	RED	GOLD PLATED
PJRS3XIS03X	YELLOW	YELLOW	YELLOW	NICKEL PLATED

REV	ECO NUMBER	DATE	BY	APVD
A	25181	1-12-06	JL	TJK
REVISIONS				

★ STAR SYMBOL DENOTES CRITICAL DIMENSION

UNLESS OTHERWISE SPECIFIED

- ALL DIMENSIONS IN INCHES
 - TWO PLACE DECIMALS ±0.01
 - THREE PLACE DECIMALS ±0.005
 - ANGLES ±1°
 - ALL DIA. CONCENTRIC WITHIN 0.005 T.I.R.
- FEATURES ON THE SAME CENTERLINE MUST BE ALIGNED WITHIN ±0.002
- REMOVE ALL BURRS

DO NOT SCALE DRAWING

THIS DRAWING DESCRIBES A DESIGN CONSIDERED PROPRIETARY IN NATURE, DEVELOPED AND MANUFACTURED BY SWITCHCRAFT INC. AND IS RELEASED ON A CONFIDENTIAL BASIS FOR IDENTIFICATION PURPOSES ONLY.				
SIZE	WIDTH	MULT	LBS/M	TEMPER
FINISH		MATERIAL		
SPEC No.		SPEC No.		
FIRST USED ON		SCALE		
		2:1		
DATE DRAWN	BY	CHKD	APVD	
12-Jan-06	JL	TJK	TJK	
		1-12-06	1-12-06	
NAME		PART No.		REV
PHONO JACK, RIGHT ANGLE, 3 POS. SCREW MOUNT, SHIELDED, RoHS		PJRS3XIS_ _X SERIES		A

