

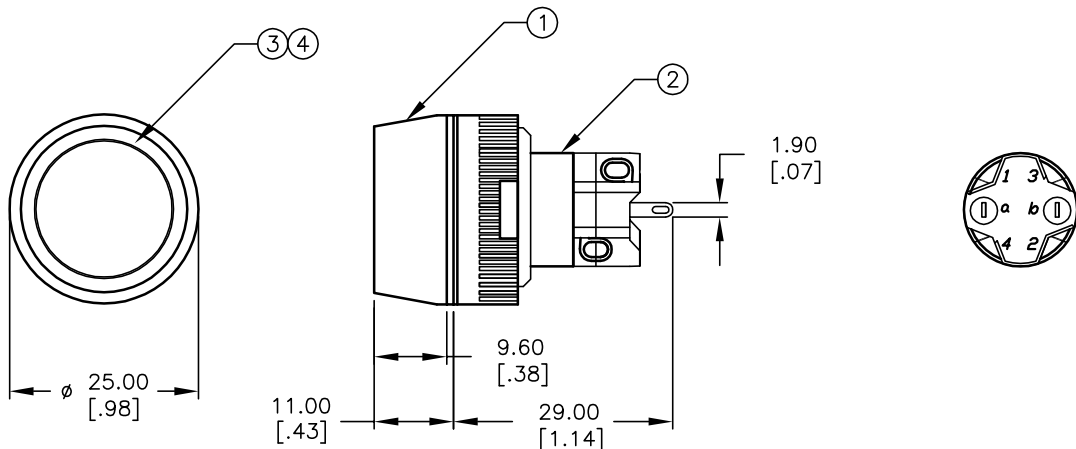
RECOMMENDED PANEL MOUNTING

1 o | o 2
 3 o o 4
 a (L) - b (+)

SPST
 CONTACT CONFIGURATION

NOTES:

1. ALL DIMENSIONS IN MM
2. GENERAL TOLERANCE: X.X=±0.4
X.XX=±0.25
3. RATINGS: 5A@250V AC,
8A@125V AC
4. CONTACT MATERIAL: COPPER ALLOY W/Gold Plating
5. TRAVEL: 3.0mm (Total) 2.0mm (Latch)
6. MECHANICAL LIFE: >100,000 Cycles
7. ELECTRICAL LIFE: >50,000 Cycles
8. INSULATION RESISTANCE: >1000 MILLI-OHMS
9. OPERATING TEMP: -20°C to 55°C
- ▲ 10. LAMP VOLTAGE: 12VDC (L.E.D.)
11. ▲ DENOTES CRITICAL PARAMETER.



E-SWITCH®

TITLE

LASDAV11JGRNGRN

| | | | | |
|------|---------|-------------------------|---------|------|
| A | 14035 | RELEASED FOR PRODUCTION | 5/20/04 | AR |
| REV. | ECN No. | DESCRIPTION | DATE | CHKD |

THE INFORMATION CONTAINED IN THIS DOCUMENT IS PROPRIETARY TO E-SWITCH AND IS NOT TO BE COPIED OR TRANSFERRED

SCALE

1:1

DATE

5/20/04

DR

AR

DWG

XF0588P

REV

A