

5

4

3

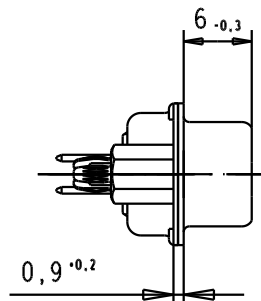
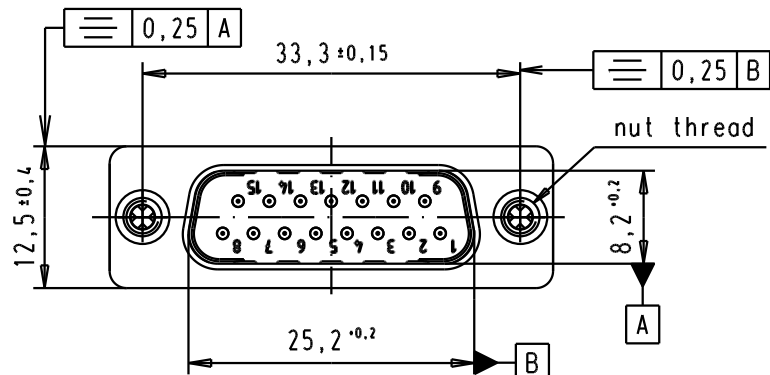
2

1

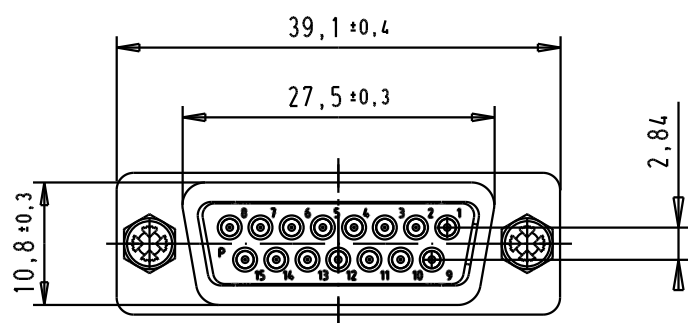
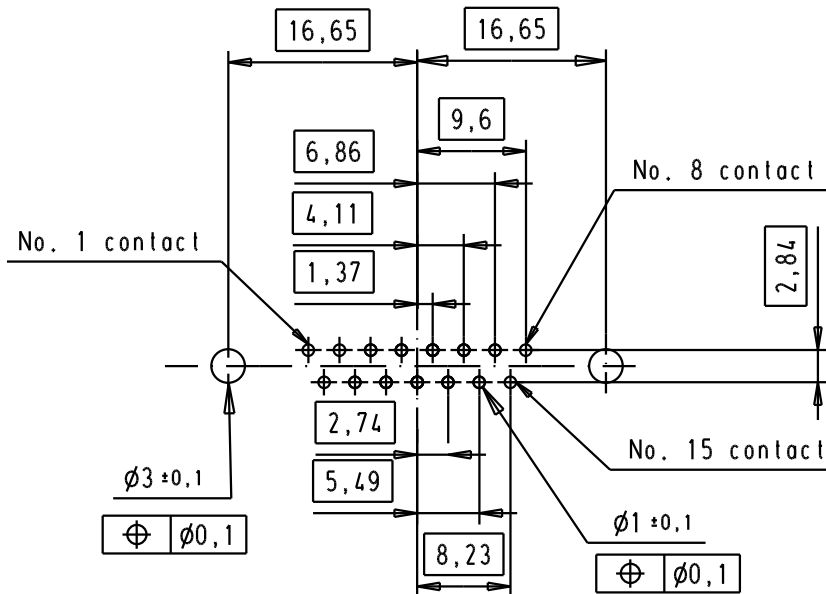
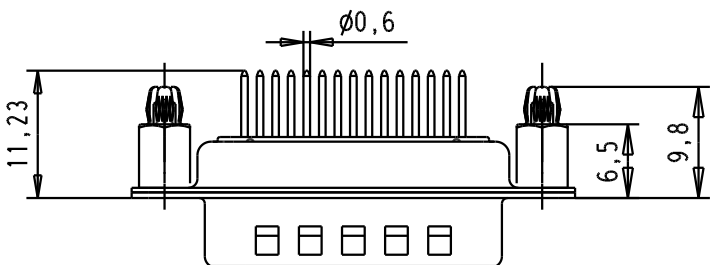
SPECIFICATION

Mating Cycles	500
Filter type	C
Capacitance	1000pf±20%
Working Voltage	100v
Current Rating	7.5A
Insulation Resistance	>1GΩ

FREQUENCY (MHz)	ATTENUATION (dB)
5	1dB
10	3dB
50	12dB
100	20dB
500	34dB
1000	30dB



PCB Layout, Component side  
PCB thickness 1,6 mm



D

C

B

A

09642227236	M3		33079	29/08/05	JMDR						
09642227235	UNC 4-40		31058	8-JUL-02	CV						
Part number	Nut thread		Mod.	Dat.	Name						

	Dat.	Name
Detail.	8-JUL-02	CV
Insp.		
Stand.		
HARTING EURL F-95972 Paris		

All Dim. in mm  
Orig. Size DIN A 4

D-Sub, male, straight,  
15 Poles, solder pins, tin  
plated shell with dimples,  
spacer nuts and board-locks

TB 0964222723x

No?Ms/lab/ Scale	1.5:1
Blatt/ Page	2 / 3