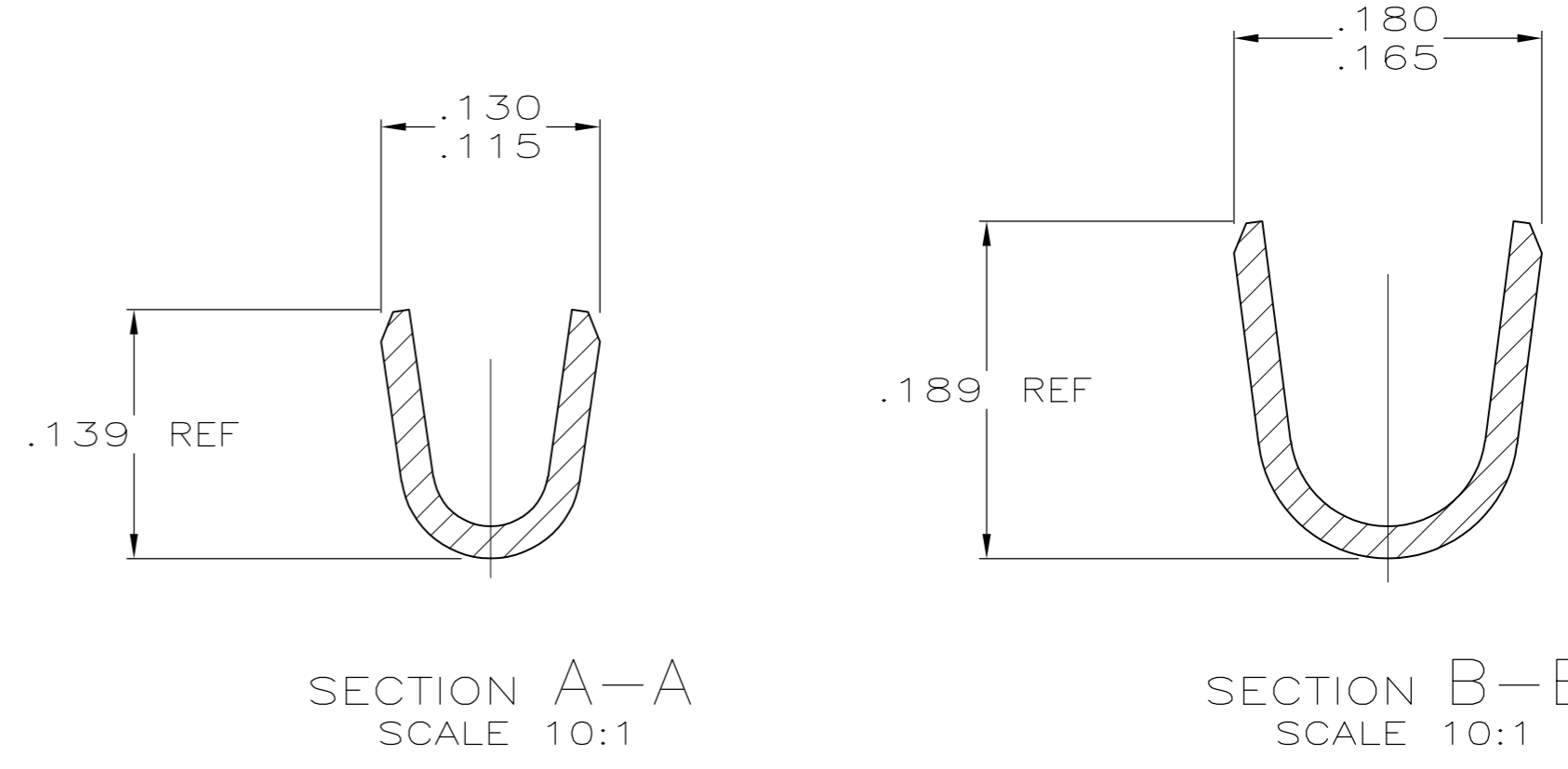
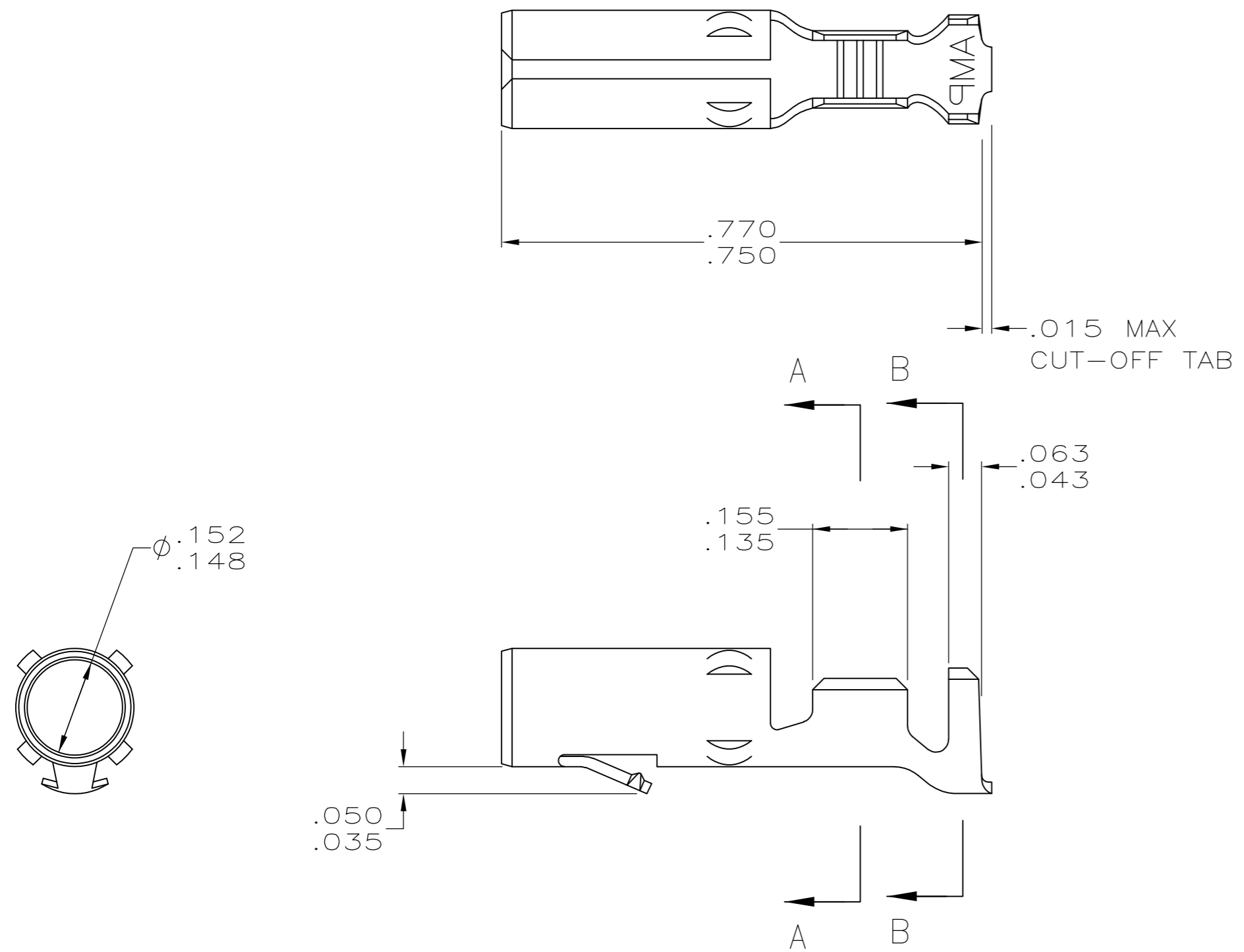


THIS DRAWING IS UNPUBLISHED. RELEASED FOR PUBLICATION
 © COPYRIGHT BY TYCO ELECTRONICS CORPORATION. ALL INTERNATIONAL RIGHTS RESERVED.

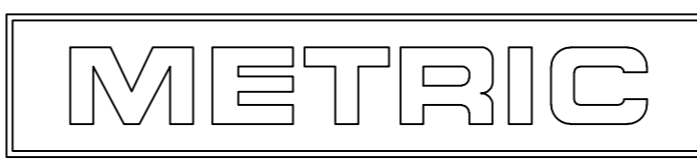
LOC	DIST	REVISIONS			
P	LTR	DESCRIPTION	DATE	DWN	APVD
CM	0	J	ECO-08-028197	12NOV2008	KW CC

1. WIRE RANGE: 20-14 (0.5-2mm²) AWG
 INSULATION RANGE: .125 MAX.



IN	MM	IN	MM	IN	MM	IN	MM
.050	1.27	.139	3.53	.180	4.57		
.043	1.09	.135	3.43	.165	4.19		
.035	0.89	.130	3.30	.156	3.96		
.018	0.46	.125	3.18	.155	3.94	.770	19.56
.015	0.38	.115	2.92	.152	3.86	.750	19.05
.005	0.13	.063	1.60	.148	3.76	.189	4.80
IN	MM	IN	MM	IN	MM	IN	MM

CONVERSION TABLE



TIN	.018 BRASS	61250-1
FINISH	MATERIAL	PART NO

THIS DRAWING IS A CONTROLLED DOCUMENT.		DWN B. LEWIS 6-25-96	Tyco Electronics Corporation Harrisburg, PA 17105-3608	
DIMENSIONS: INCHES		CHK R. SWING 6-25-96	NAME C. MARTIN 6-25-96	
TOLERANCES UNLESS OTHERWISE SPECIFIED:		APVD C. MARTIN 6-25-96	PRODUCT SPEC	
0 PLC ± -		APPLICATION SPEC		
1 PLC ± -		WEIGHT		
2 PLC ± -		SIZE A2		
3 PLC ± .005		CAGE CODE 00779		
4 PLC ± -		DRAWING NO 61250		
ANGLES ± -		RESTRICTED TO		
FINISH PRE-TIN		SCALE 5:1		
MATERIAL BRASS		SHEET 1 of 1		
CUSTOMER DRAWING		REV J		