

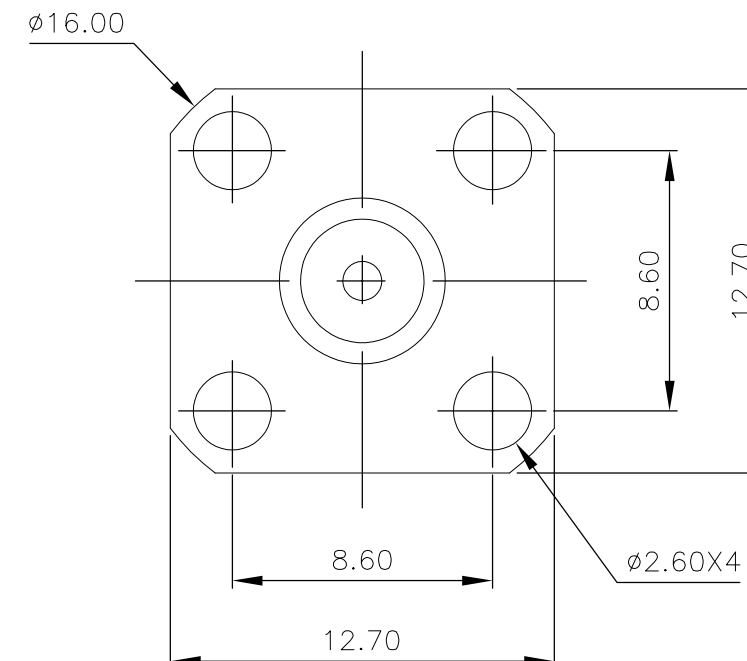
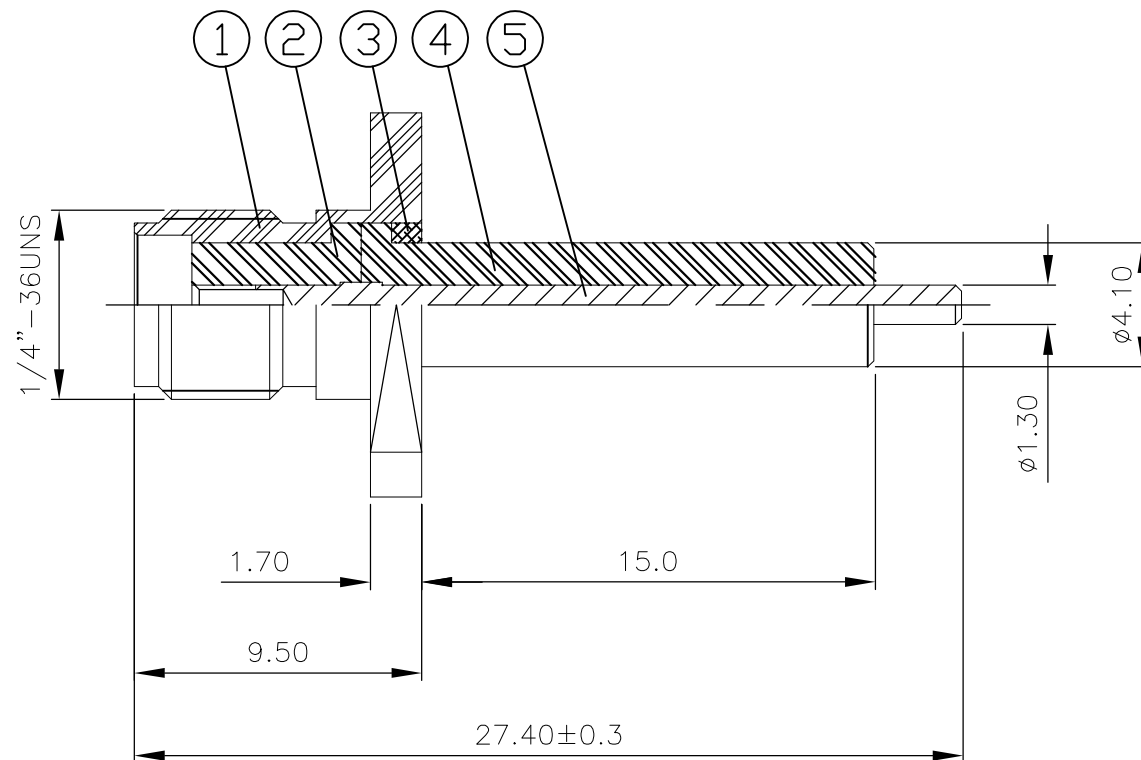
THIS DRAWING IS UNPUBLISHED. RELEASED FOR PUBLICATION APRIL, 2004.

© COPYRIGHT 2004 By - ALL RIGHTS RESERVED.

| LOC | DIST | REVISIONS | | | | | |
|-----|------|-----------|-----|---------------------------|---------|-----|------|
| E | B | P | LTR | DESCRIPTION | DATE | DWN | APVD |
| | | | A1 | REVISED PER ECO-11-005033 | 31MAR11 | RK | HMR |

NOTES:

- ① SINGLE PACK IN ACCORDANCE WITH SPEC 107-3275
- ② 100 TRAY PACK IN ACCORDANCE WITH SPEC 107-3275
- ③ 0.08μm Au PLATING OVER 1.27μm Ni PLATING
- ④ 0.08μm Au PLATING OVER 1.27μm Ni PLATING OVER 0.76μm Cu PLATING
- ⑤ 0.76μm Au PLATING OVER 1.27μm Ni PLATING OVER 0.76μm Cu PLATING
- ⑥ PASSIVATED
- ⑦ WHITE BRONZE PLATING
- 8 FOR TECHNICAL DATA REFER TO YOUR LOCAL TE CONNECTIVITY SALES OFFICE
- 9 ALL DIMENSIONS ARE NOMINAL FOR REFERENCE ONLY UNLESS OTHERWISE STATED



| | | | | | | | | | | | |
|------|------|------|------|------|------|------|------|------------------|---|---------------|------|
| 1 | 1 | 1 | 1 | 1 | 1 | 1 | 1 | BERYLLIUM COPPER | ⑤ | CENTER SOCKET | 5 |
| 1 | 1 | 1 | 1 | 1 | 1 | 1 | 1 | PTFE | | INSULATOR | 4 |
| 1 | 1 | - | - | - | - | - | - | BRASS | ⑦ | WASHER | 3 |
| - | - | 1 | 1 | - | - | - | - | BRASS | ④ | WASHER | 3 |
| - | - | - | - | 1 | 1 | - | - | STAINLESS STEEL | ⑥ | WASHER | 3 |
| - | - | - | - | - | - | 1 | 1 | STAINLESS STEEL | ③ | WASHER | 3 |
| 1 | 1 | 1 | 1 | 1 | 1 | 1 | 1 | PTFE | | INSULATOR | 2 |
| 1 | 1 | - | - | - | - | - | - | BRASS | ⑦ | BODY | 1 |
| - | - | 1 | 1 | - | - | - | - | BRASS | ④ | BODY | 1 |
| - | - | - | - | 1 | 1 | - | - | STAINLESS STEEL | ⑥ | BODY | 1 |
| - | - | - | - | - | - | 1 | 1 | STAINLESS STEEL | ③ | BODY | 1 |
| 4--1 | 4--0 | 3--1 | 3--0 | 2--1 | 2--0 | 1--1 | 1--0 | MATERIAL | | DESCRIPTION | ITEM |
| ② | ① | ② | ① | ② | ① | ② | ① | | | | |

| | | | | |
|--|--|-----------------------------------|---|---------------|
| THIS DRAWING IS A CONTROLLED DOCUMENT. | | DWN R.SMITH 06FEB04 | STE TE Connectivity | |
| DIMENSIONS: mm | | CHK S.PARLOW 06FEB04 | | |
| TOLERANCES UNLESS OTHERWISE SPECIFIED: | | APVD F.WHEELER-KING 06FEB04 | NAME SMA PANEL SOCKET LAUNCHER, 4 HOLE FLANGE, CAPTIVE CONTACT | |
| 0 PLC ± - | | PRODUCT SPEC | - | |
| 1 PLC ± - | | APPLICATION SPEC | - | |
| 2 PLC ± - | | WEIGHT | - | |
| 3 PLC ± - | | SIZE | CAGE CODE | DRAWING NO |
| 4 PLC ± - | | | A3 | 00779 |
| ANGLES ± - | | | C- | 1478967 |
| FINISH | | | | |
| MATERIAL SEE TABLE | | | | |
| | | CUSTOMER DRAWING | | RESTRICTED TO |
| | | SCALE | SHEET | REV |
| | | 1:1 | 1 OF 1 | A1 |