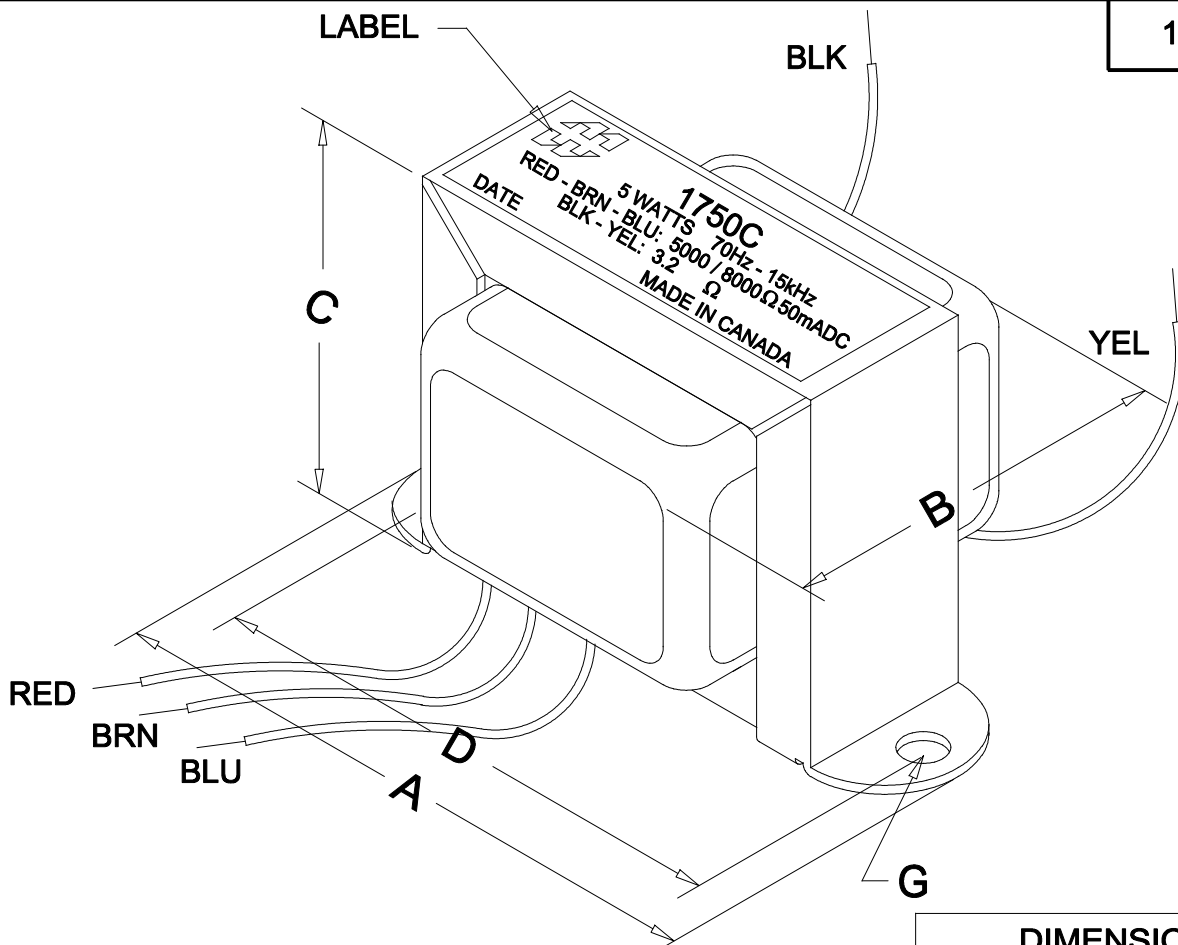


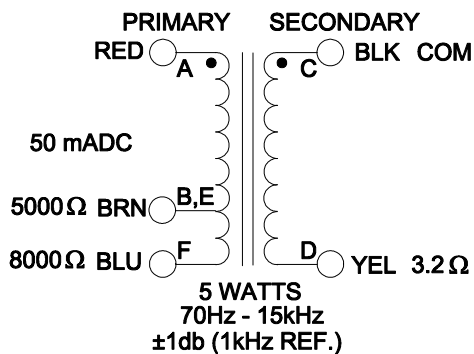
1750C



NOTE: ALL LEADS 9" LONG MIN.

**DIMENSIONS:**

A	2.813" ±0.063
B	1.560" ±0.125
C	1.683" ±0.063
D	2.375" ±0.063
G	0.187" ±0.015



**ELECTRICAL DATA:**

Turns ratio:	49.16 : 1
Inductance	@200.0V, 70Hz =>90.00H
DCR	@ 20C, BLU-RED=314.2Ohm ±20% @ 20C, BLK-YEL=0.295Ohm ±20%
FREQ. RESP	@5W(200.0V), 70Hz-15kHz, BLU-RED ±1db (Ref. 1kHz)
Pri. Impedance	5000Ohm (158.1V), 8000 Ohm ( 200V )
Sec. Impedance	3.2Ohm (4V@1.25A)
Power	5 WATTS

**HAMMOND  
ELECTRONICS**

52 RANKIN PLACE,  
WATERLOO, ONTARIO, N2L 3Z5.

PHONE (519) 886-8181  
FAX # (519) 886-9540

TITLE		1750C	
1	02/24/16	Was 7000 ohm primary	D.H. DR BY IOAN POP
0	05/06/09	Released	I.P. DATE 05/06/09
NO	DATE	REVISION	DIM IN(X)MM( )

1750C