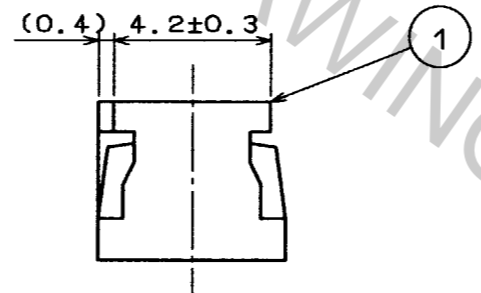
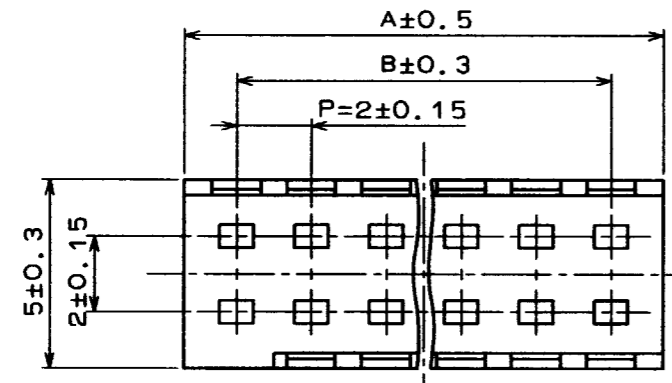


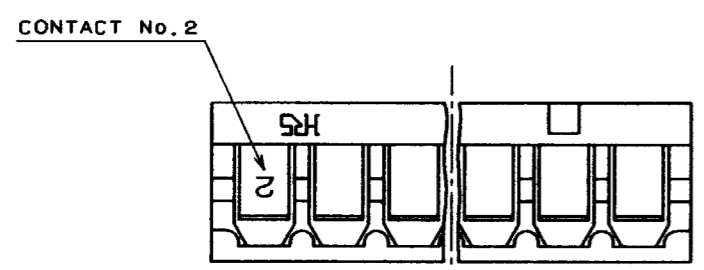
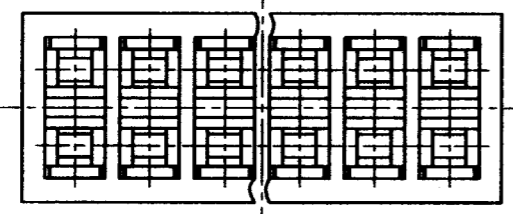
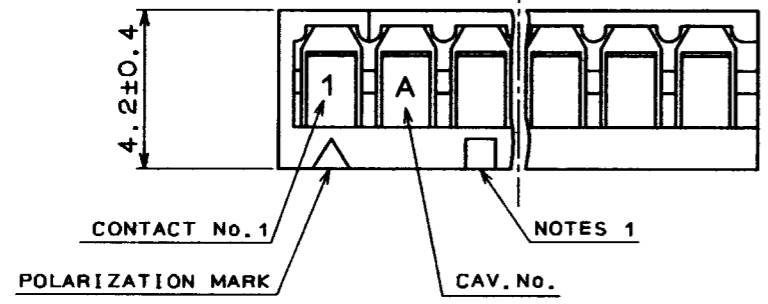
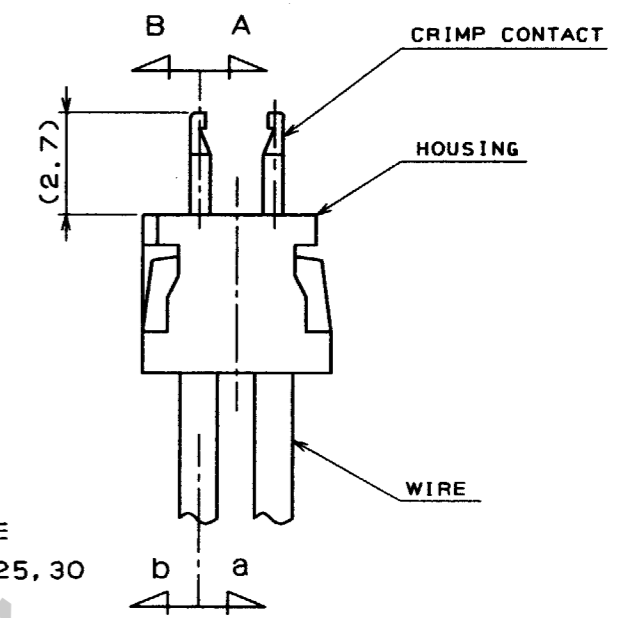
Apr.1.2017 Copyright 2017 HIROSE ELECTRIC CO., LTD. All Rights Reserved.

COUNT	DESCRIPTION OF REVISIONS	BY	CHKD	DATE	COUNT	DESCRIPTION OF REVISIONS	BY	CHKD	DATE
△					△				
△					△				
△					△				

NUMBER OF CONTACT	CODE NO.	PART NO.	A	B	NUMBER OF CONTACT	CODE NO.	PART NO.	A	B
4	544-0078-3	DF4- 4DP-2C	4.8	2.0	20	544-0086-1	DF4-20DP-2C	20.8	18.0
6	544-0079-6	DF4- 6DP-2C	6.8	4.0	22	544-0087-4	DF4-22DP-2C	22.8	20.0
8	544-0080-5	DF4- 8DP-2C	8.8	6.0	24	544-0088-7	DF4-24DP-2C	24.8	22.0
10	544-0081-8	DF4-10DP-2C	10.8	8.0	26	544-0089-0	DF4-26DP-2C	26.8	24.0
12	544-0082-0	DF4-12DP-2C	12.8	10.0	28	544-0090-9	DF4-28DP-2C	28.8	26.0
14	544-0083-3	DF4-14DP-2C	14.8	12.0	30	544-0091-1	DF4-30DP-2C	30.8	28.0
16	544-0084-6	DF4-16DP-2C	16.8	14.0	32	544-0092-4	DF4-32DP-2C	32.8	30.0
18	544-0085-9	DF4-18DP-2C	18.8	16.0					



CRIMP CONTACT INSERTION DRAWING



NOTES
 1. SQUARE MARKS ARE INDICATED IN RELIEF ON THE PART OF FOLLOWING CONTACT NO. : 5, 10, 15, 20, 25, 30
 2. RECOMMENDED PCB HOLE DIAMETER 0.9±0.05mm
 3. IN CASE OF SOME THIN JACKET WIRES, TIPS ARE HARD TO PUT TOGETHER . HOWEVER, THE WAY OF HOLDING THESE WIRES MAKES EASIER TO PUT THEM INTO PCB.
 EX. WHEN THE DIRECTION OF CONTACT TIP IS (A), PLEASE HOLD A WIRE TO THE DIRECTION(a).

NO. 1		POLYAMIDE		(BLACK)UL94V-0	
NO.	MATERIAL	FINISH, REMARKS	NO.	MATERIAL	FINISH, REMARKS
CODE NO. (OLD)			DRAWN	DESIGNED	CHECKED
			<i>T. Miyazaki</i>	<i>T. Miyazaki</i>	<i>J. Omi</i>
			95.4.18	95.4.18	95.4.18
			APPROVED	RELEASED	
			<i>H. Yamamoto</i>	<i>H. Yamamoto</i>	
			95.4.18	95.4.18	
DRAWING NO. EDC3-160366			PART NO. DF4- 8 DP-2C		
UNITS mm			CODE NO. CL544-0078-3		
			~0092-4		
			1/1		

TO